



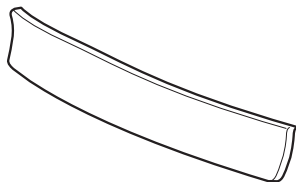
INSTALLATION INSTRUCTIONS

Accessory	Application	Publications No. BII 24810
INTERIOR PANEL KIT	TSX	Issue Date APRIL 2003

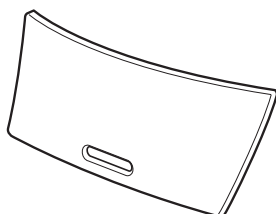
PARTS LIST

INTERIOR PANEL KIT
P/N 08Z03-SEC-210 (Light Wood-Look)
P/N 08Z03-SEC-230A (Metal-look)

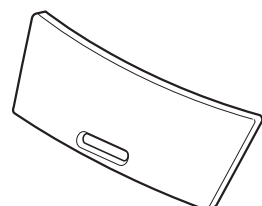
Center panel



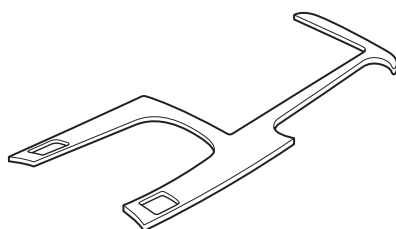
Upper pocket panel



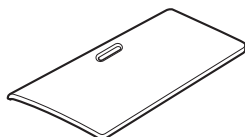
Lower pocket panel



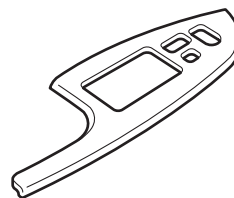
Front panel



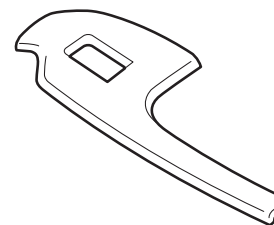
Beverage holder panel



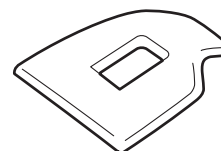
Front switch panel (left)



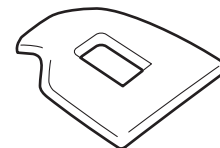
Front switch panel (right)



Rear switch panel (left)



Rear switch panel (right)



SUPPLIES REQUIRED

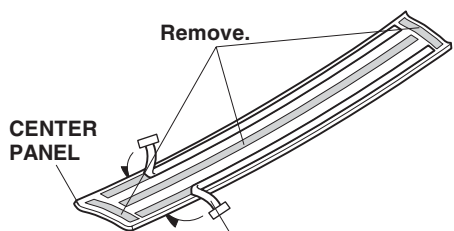
- Isopropyl alcohol
- Shop towel
- Masking tape

INSTALLATION

NOTE: This interior panel kit should only be installed if the ambient air temperature is 60°F (15°C) or above.

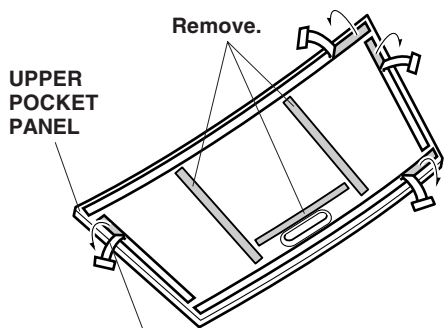
- Using isopropyl alcohol on a shop towel, thoroughly clean the areas where the interior panels will attach.
- Remove and discard the inner adhesive backings and the small pieces of outer adhesive backings. Attach a strip of masking tape to the end of each remaining outer adhesive backing, and remove 40 to 50 mm (1.6 to 2.0 in.) of the adhesive backing. Fold the ends back, and tape them to the front of the panel.

Center Panel:



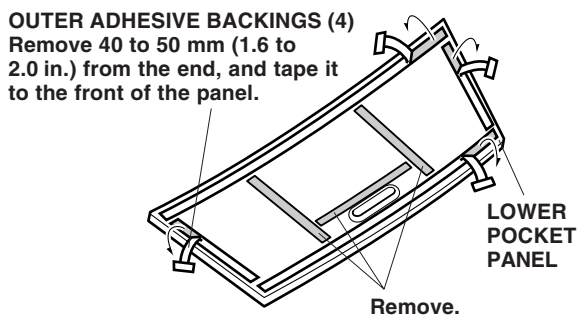
OUTER ADHESIVE BACKINGS (2)
Remove 40 to 50 mm (1.6 to 2.0 in.) from the end, and tape it to the front of the panel.

Upper Pocket Panel:



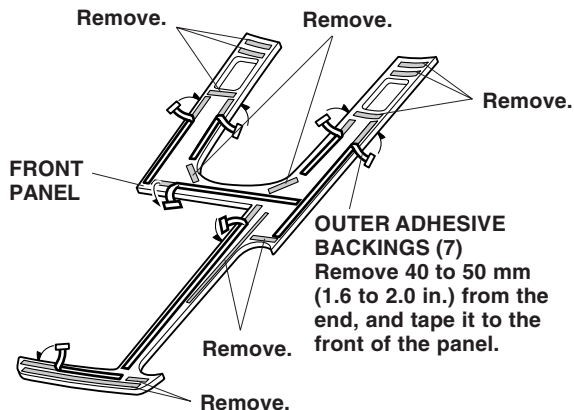
OUTER ADHESIVE BACKINGS (4)
Remove 40 to 50 mm (1.6 to 2.0 in.) from the end, and tape it to the front of the panel.

Lower Pocket Panel:



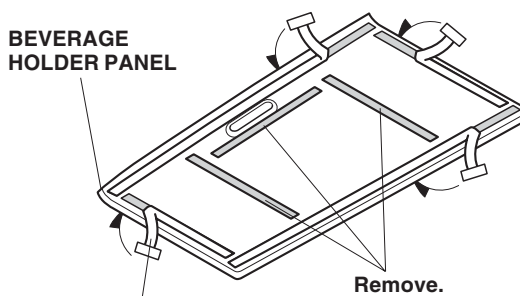
OUTER ADHESIVE BACKINGS (4)
Remove 40 to 50 mm (1.6 to 2.0 in.) from the end, and tape it to the front of the panel.

Front Panel:



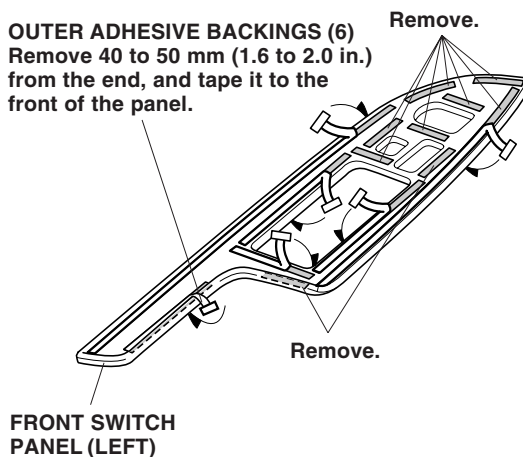
OUTER ADHESIVE BACKINGS (7)
Remove 40 to 50 mm (1.6 to 2.0 in.) from the end, and tape it to the front of the panel.

Beverage Holder Panel:



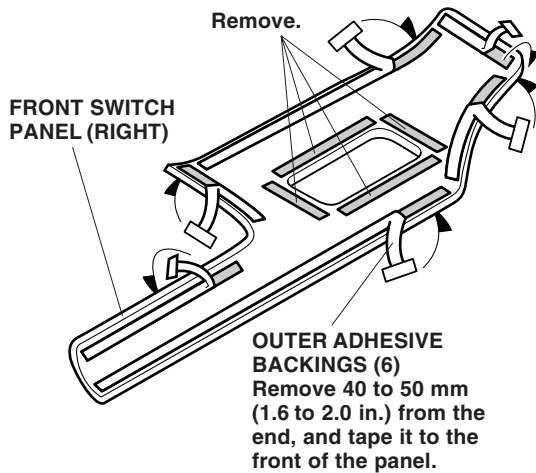
OUTER ADHESIVE BACKINGS (4)
Remove 40 to 50 mm (1.6 to 2.0 in.) from the end, and tape it to the front of the panel.

Front Switch Panel (left):

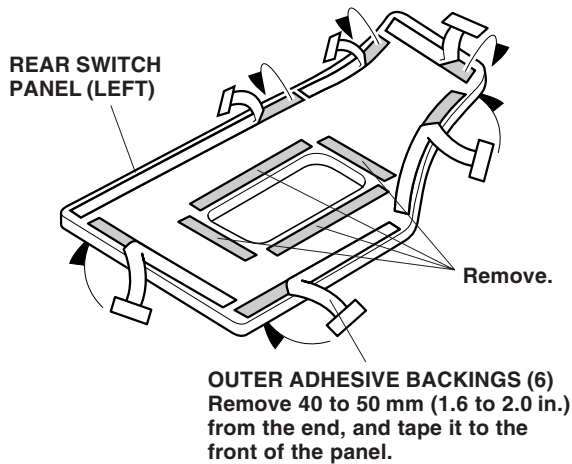


OUTER ADHESIVE BACKINGS (6)
Remove 40 to 50 mm (1.6 to 2.0 in.) from the end, and tape it to the front of the panel.

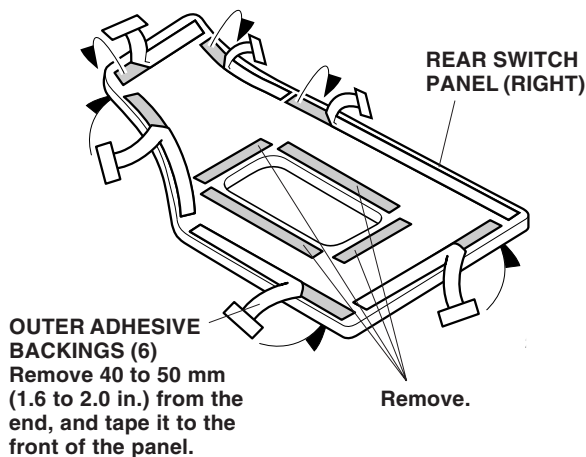
Front Switch Panel (right):



Rear Switch Panel (left):

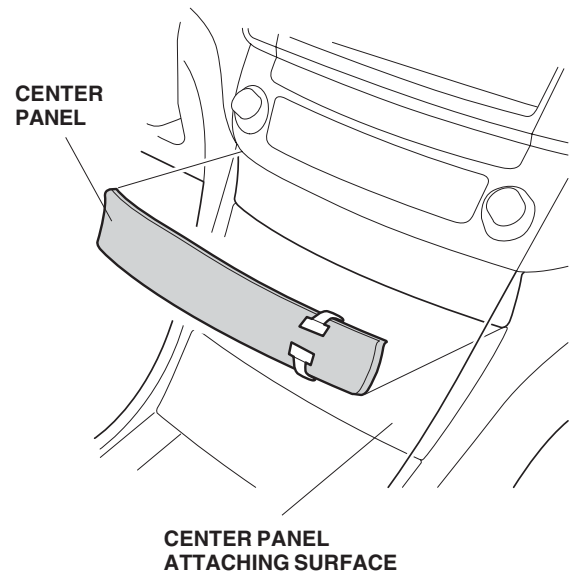


Rear Switch Panel (right):

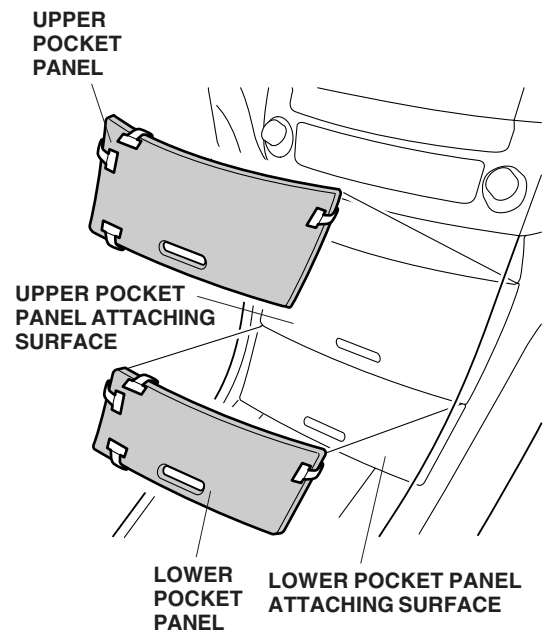


3. Position the interior panels on the existing panels. While applying light pressure on the interior panels, carefully remove the adhesive backings.
4. After installing the interior panels, use the palm of your hand to hold pressure against them for 30 seconds.

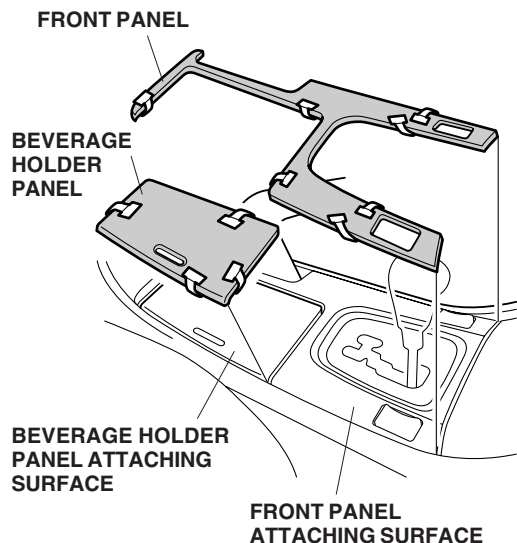
Center Panel:



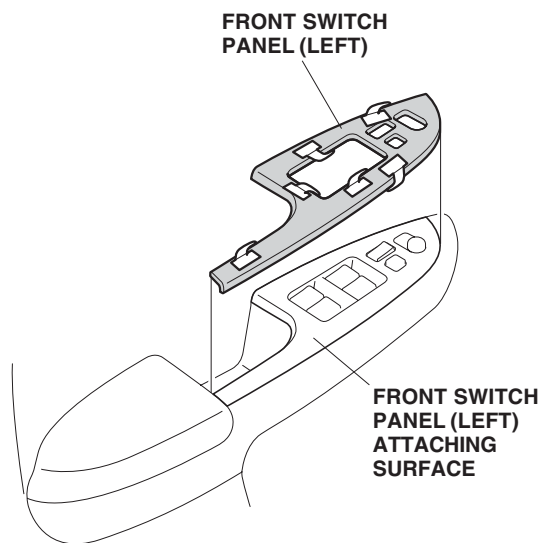
Upper Pocket Panel/Lower Pocket Panel:



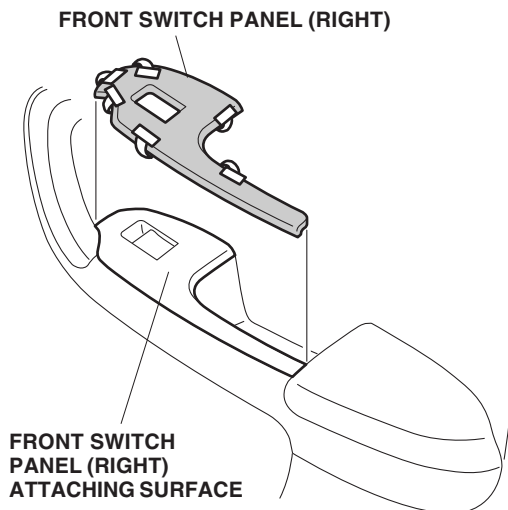
Front Panel/Beverage Holder Panel:



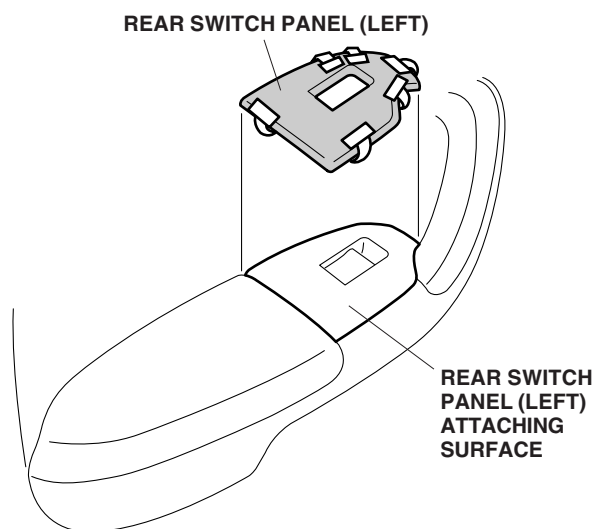
Front Switch Panel (Left):



Front Switch Panel (Right):



Rear Switch Panel (Left):



- Repeat on the right side to install the right rear switch panel.

USE AND CARE

Use a sponge or soft cloth dampened with liquid dishwashing soap and water solution. After cleaning, wipe with a clean, soft cloth. Do not use cleaners or polishers containing corrosive compounds to clean the interior trim pieces, as they may damage the surface.