



INSTALLATION INSTRUCTIONS

Accessory

TRUNK SPOILER

Application

TSX

Publications No.

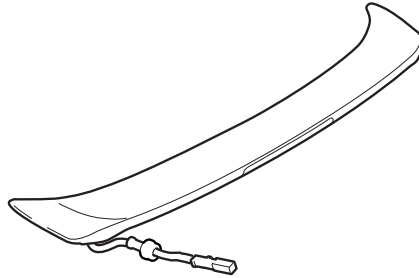
BII 24820

Issue Date

APRIL 2003

PARTS LIST

Trunk spoiler



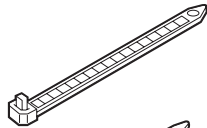
2 Washer-screws



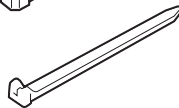
4 Cap nuts



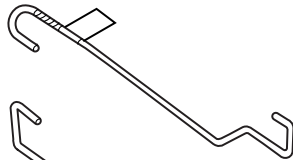
11 Wire ties



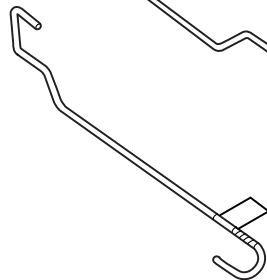
4 Narrow wire ties



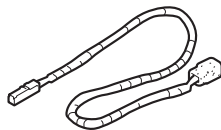
Left trunk spring



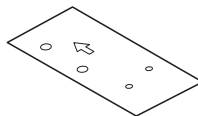
Right trunk spring



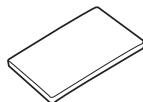
Spoiler harness



Template



Cushion tape



TOOLS AND SUPPLIES REQUIRED

Phillips screwdriver

Flat-tip screwdriver

Ratchet

10 mm Socket

Punch

Drill

3 mm, 8 mm, and 10 mm Drill bits

File

Touch-up paint

Felt-tip pen

Shop towel

Torque wrench

Adhesive tape

Gloves

Scissors

Clip remover

Eye protection (face shield, safety goggles, etc.)

Drill stop

Trunk Spring Installer/Remover:

T/N 08M10-SM4-100

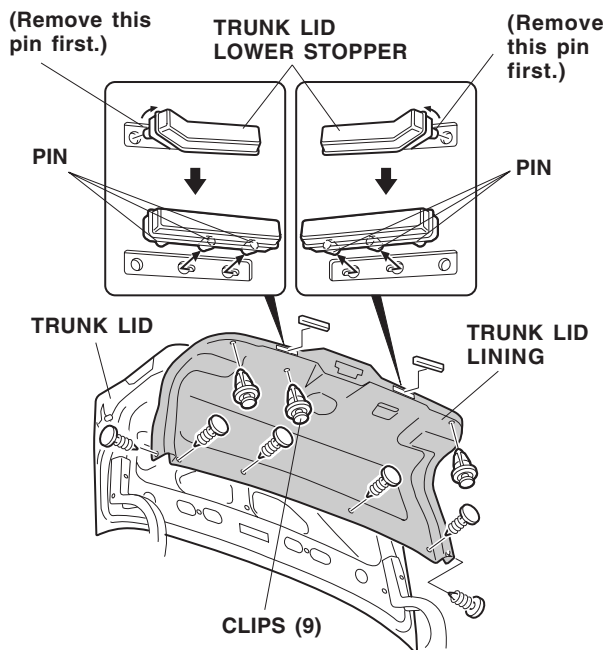
Isopropyl alcohol

INSTALLATION

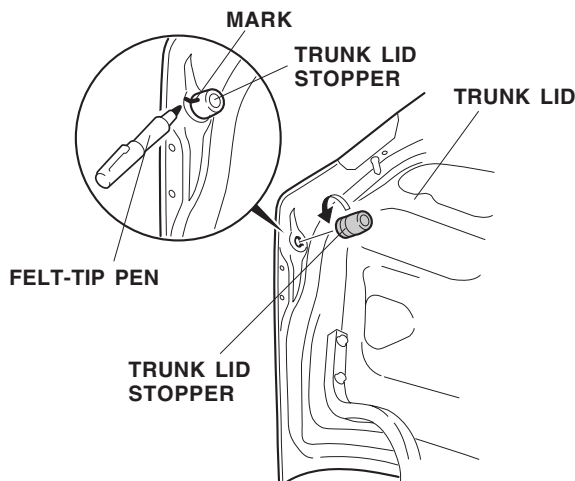
NOTE:

- Wash and wax the area to be covered with a high-quality paste wax.
- The trunk springs are different for the left and the right side. (The spring for the right side is marked with red paint. The spring for the left side is marked with yellow paint.) Please confirm right and left side before the installation.

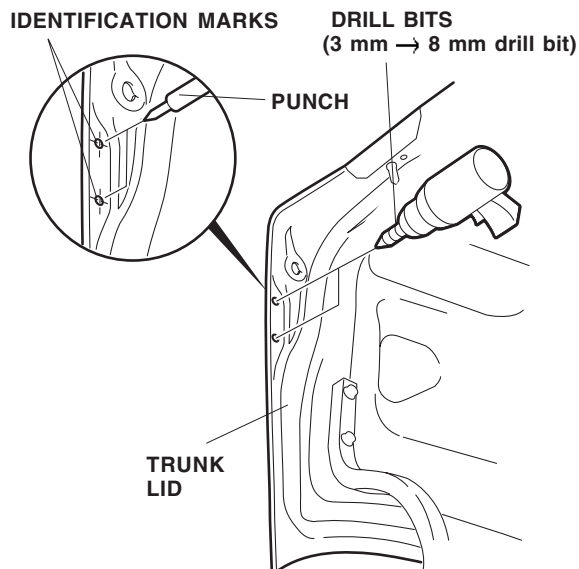
1. Make sure you have the anti-theft code for the radio, then write down the frequencies for the preset buttons.
2. Disconnect the negative cable from the battery.
3. Open the trunk lid, remove the lower stoppers one at a time by first pulling on the outer edge to disengage the pin, then slide the stopper toward the outside of the car and finally toward the rear.



4. Remove nine clips, and remove the trunk lid lining.
5. Using a felt-tip pen, mark the trunk lid stopper at its present location. Turn the stopper counterclockwise to remove it. Remove the right stopper the same way.

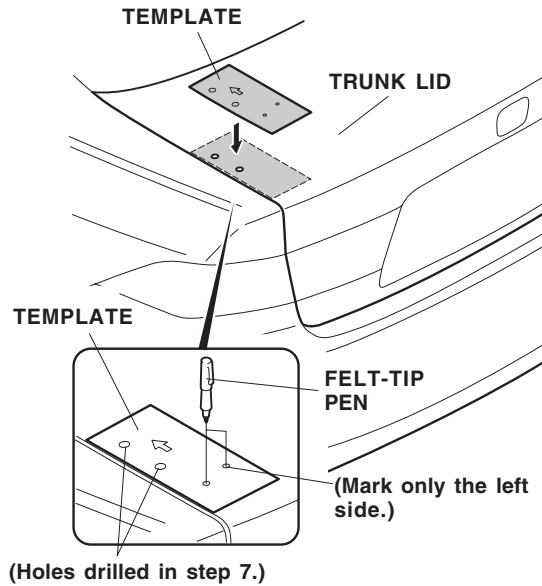


6. On the inside of the trunk lid, locate the two identification marks on the trunk lid. Lightly center-punch each mark. Repeat on the right side of the trunk lid.



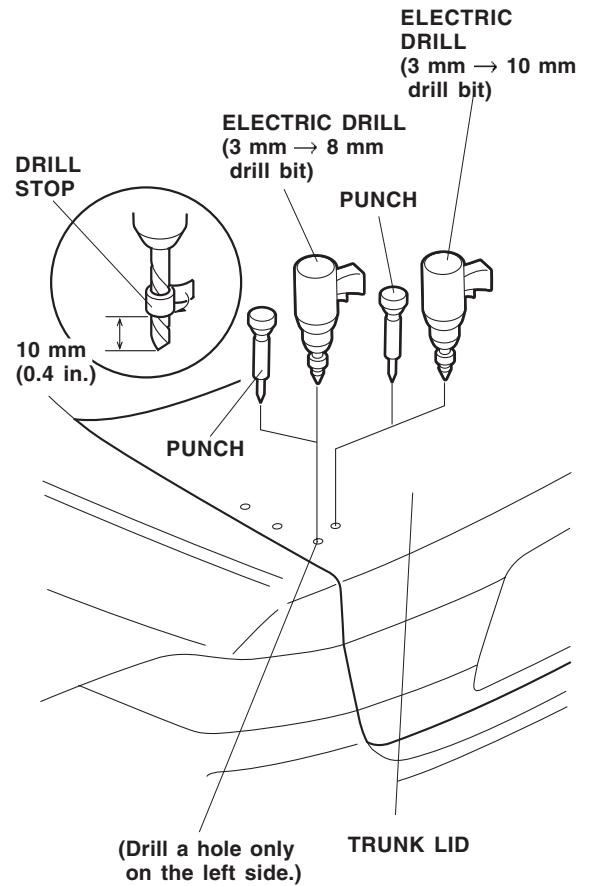
7. While wearing eye protection, drill an 8 mm hole through each mark:
 - To prevent the metal shavings from falling onto the trunk floor, place a cover over the trunk floor.
 - First drill with a 3 mm drill bit, and finish with an 8 mm drill bit.
 - Remove all burrs and metal shavings, and apply touch-up paint to the edges of the holes.
 - When the touch-up paint is dry, clean the area to be covered, and wax it with a high-quality paste wax.
 - Repeat on the right side of the trunk lid.

8. Close the trunk lid. Position the template, printed side up, at the left (driver's side) edge of the trunk lid. Align the two outer holes in the template with the two holes in the trunk lid. Using a felt-tip pen, mark the trunk lid as indicated on the template. The right side of the trunk lid does not need a hole; mark and drill **only** the left side for the spoiler harness. Remove the template.

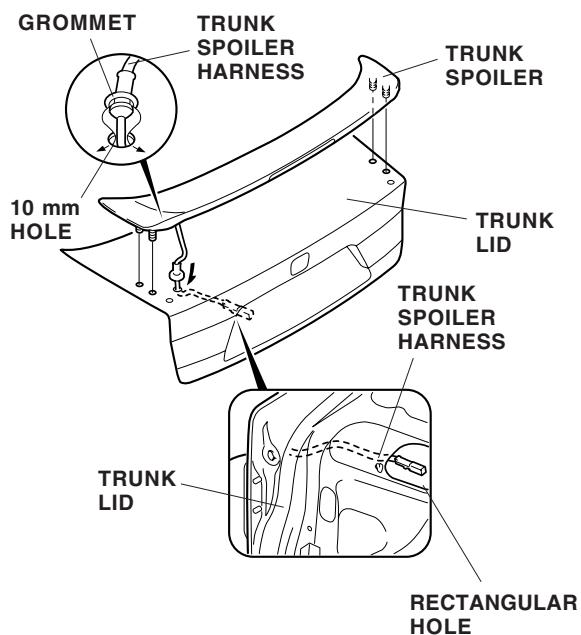


9. Lightly center-punch the mark. While wearing eye protection, drill a 10 mm hole at the center-punched mark through the outer skin of the trunk lid; this hole is for routing the spoiler harness through the trunk lid. Use a drill stop to avoid drilling through the inner panel:

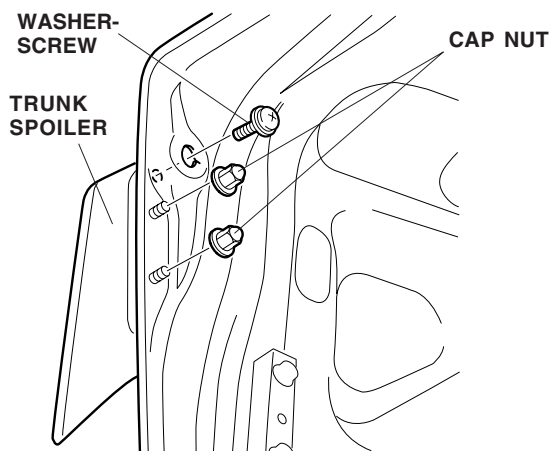
- First drill with a 3 mm drill bit, and finish with a 10 mm drill bit.
- Remove all burrs and metal shavings, and apply touch-up paint to the edge of the hole you drilled.



- Hold the trunk spoiler above the trunk lid, and route the trunk spoiler harness down through the 10 mm hole you drilled. Seat the rubber grommet into the 10 mm hole; then route the trunk spoiler harness through the rectangular hole shown. If necessary, use a piece of wire to pull the harness through the trunk lid.



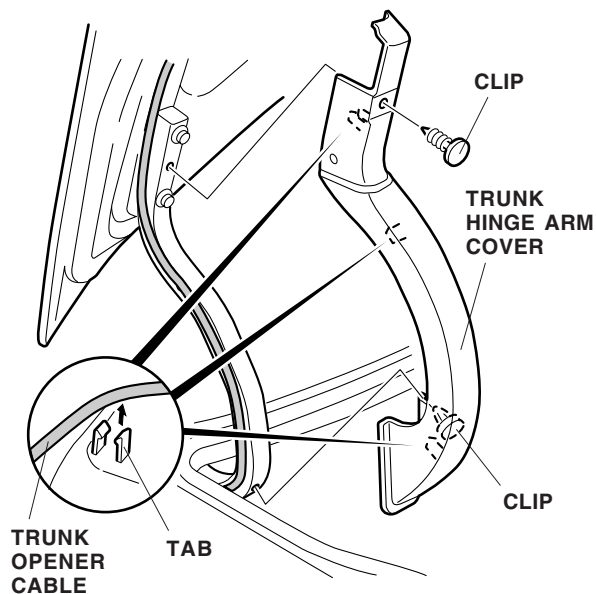
- Fit the trunk spoiler into position on the trunk lid, and install the four cap nuts. Torque the cap nuts to 8.8 N·m (6.5 lb-ft).



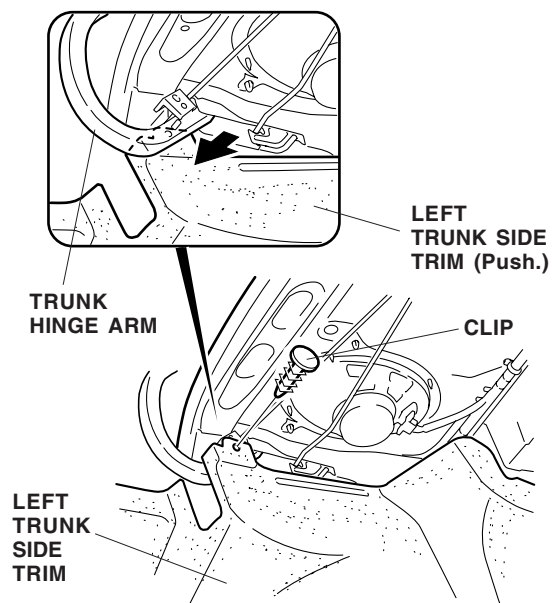
- Reinstall the trunk lid stoppers. Thread the stoppers down until you reach the marks you made.

Installing the Trunk Spring

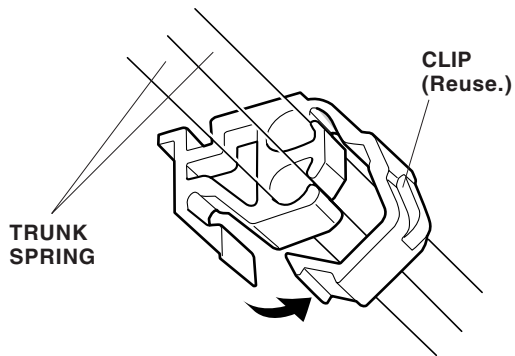
- Pull the left trunk hinge arm cover towards you, remove one clip, remove the trunk opener cable from the three tabs on the inside of the cover, and then remove the trunk hinge arm cover. Open the trunk lid, and remove the center clip from the trunk springs.



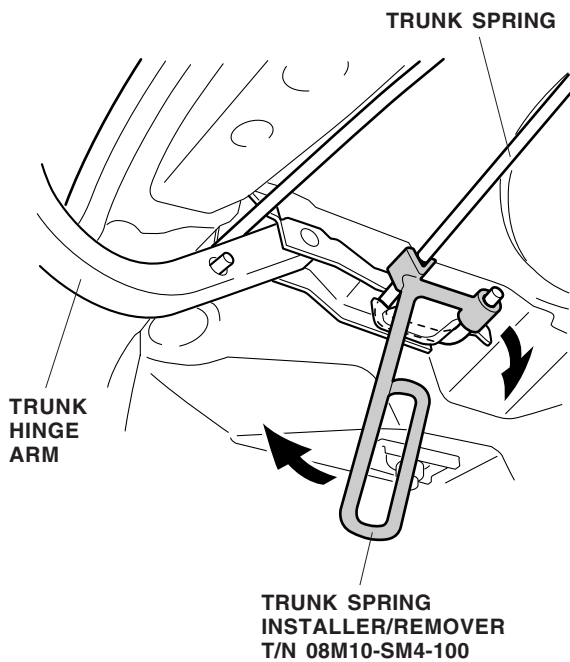
- Remove one clip from the left trunk side trim, and push the left trunk side between the trunk hinge arm and the rear side panel by twisting the trim around the front of the trunk hinge arm. Repeat on the right trunk side trim.



15. Remove the center clip from the trunk springs.

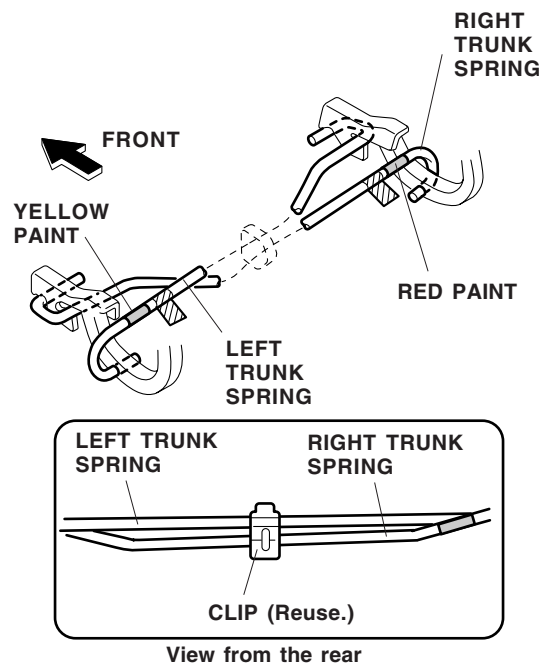


16. With an assistant holding the trunk lid open, remove the old trunk springs from the trunk hinge arms using the special tool. Wear gloves to protect your hands, and pull the special tool slowly and carefully toward you.



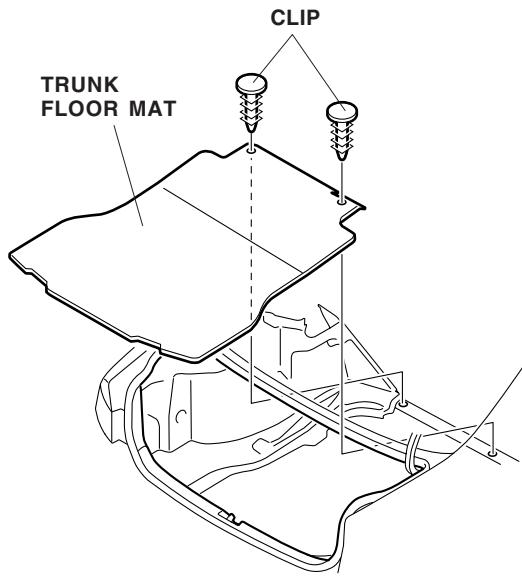
17. Install the right trunk spring and the left trunk spring in the reverse order of removal:

- Set the tool on the marked end of each trunk spring.
- Install the red-marked spring in the slot in the right (passenger's) side trunk hinge arm and to the hinge bracket on the left (driver's) side of the car; install the yellow-marked spring in the slot in the left (driver's) side trunk hinge arm and to the hinge bracket on the right (passenger's) side of the car.
- Wearing gloves, rotate the tool as you pull it toward you.
- Set the springs in the first notch (original position) of the hinge brackets.
- Reinstall the center clip.
- Reinstall the right side trunk trim.

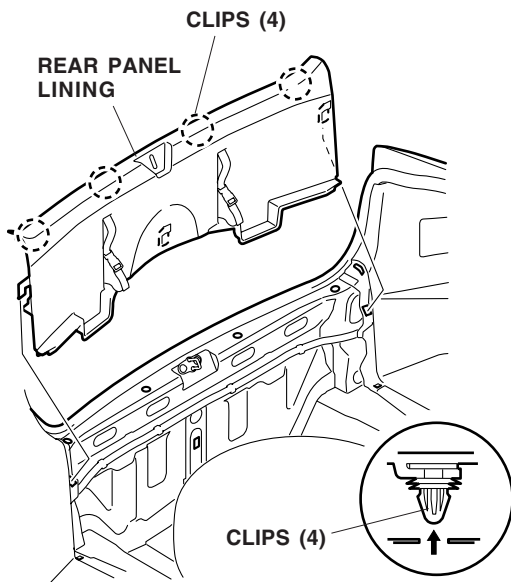


Routing the Harness

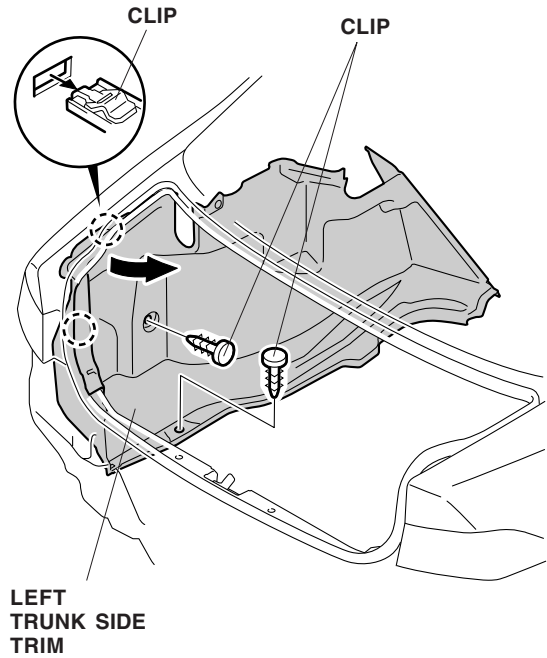
18. Remove the trunk floor mat (two clips).



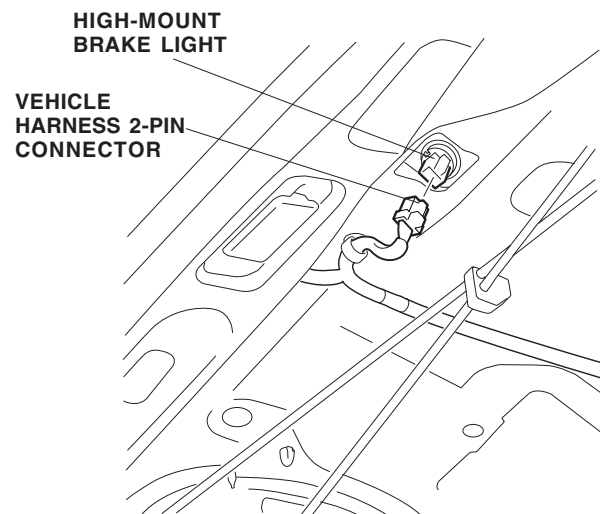
19. Remove the rear panel liner (pull up to release the four clips).



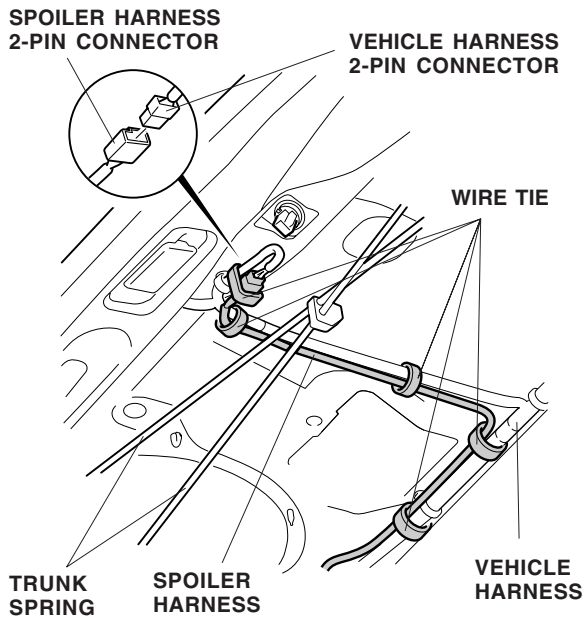
20. Remove two clips from the left trunk side trim. Pull the left trunk side trim towards the center to release the two clips at the rear, and fold the trim back out of the way.



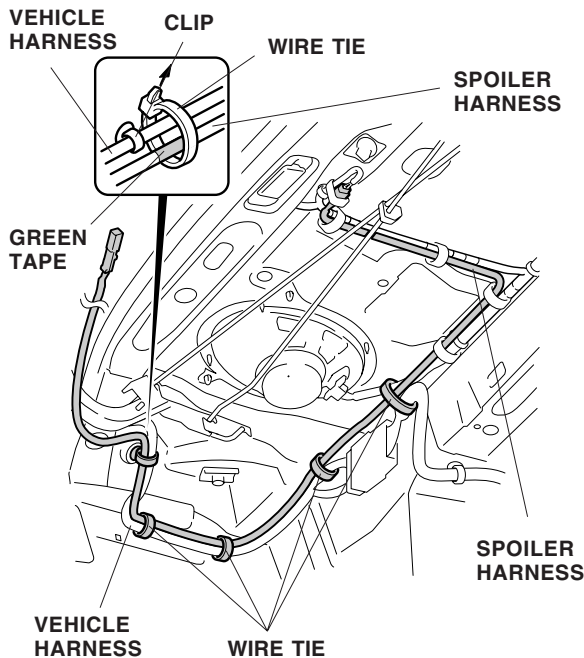
21. Disconnect the vehicle harness 2-pin connector from the high-mount brake light.



- Connect the vehicle harness 2-pin connector to the spoiler harness 2-pin connector, and secure it to the vehicle harness with one wire tie.

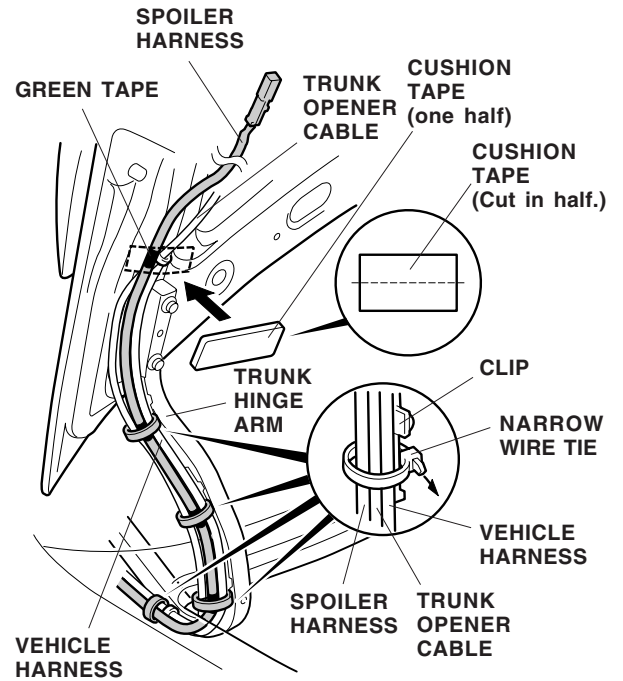


- Secure the spoiler harness to the vehicle harness with four wire ties in the area shown. Make sure the spoiler harness does not contact with the trunk springs.
- Route the spoiler harness along the vehicle harness and temporarily attach it to the vehicle harness with four wire ties in the areas shown.



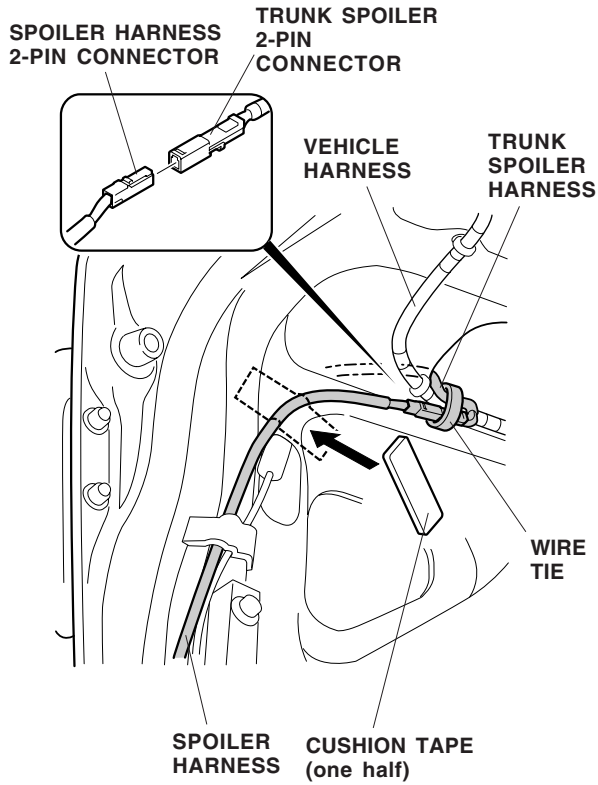
- Install one wire tie at the green tape on the spoiler harness, and align it with the clip on the vehicle harness.

- Using scissors cut one cushion tape in half. Route the spoiler harness up the trunk hinge arm. Attach the spoiler harness to the vehicle clip at the trunk opener cable using the cut cushion tape.



- Attach the spoiler harness to the vehicle harness and the trunk opener cable with four narrow wire ties at each clip location.

28. Connect the spoiler harness 2-pin connector to the 2-pin connector from the trunk spoiler, and temporarily attach the harness with one wire tie.



29. Use the other half of cushion tape to secure the spoiler harness to the trunk panel.
30. Check that all wire harnesses are routed properly, and adjust the spoiler harness as necessary, then tighten all of the wire ties.

31. Reinstall all removed parts. Check that all clips and other fasteners are installed securely.
32. Reconnect the negative cable to the battery.
33. Reset the clock, and reset the radio station presets.