



# INSTALLATION INSTRUCTIONS

Accessory  
**CORNER PROTECTORS**  
P/N 08P01-SZA-1X0X

Application  
**2009 PILOT**

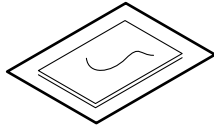
Publications No.  
**All 39424**  
Issue Date  
**MAY 2008**

## PARTS LIST

4 Corner protectors



4 Alcohol swabs



## TOOLS AND SUPPLIES REQUIRED

Shop towel

Isopropyl alcohol

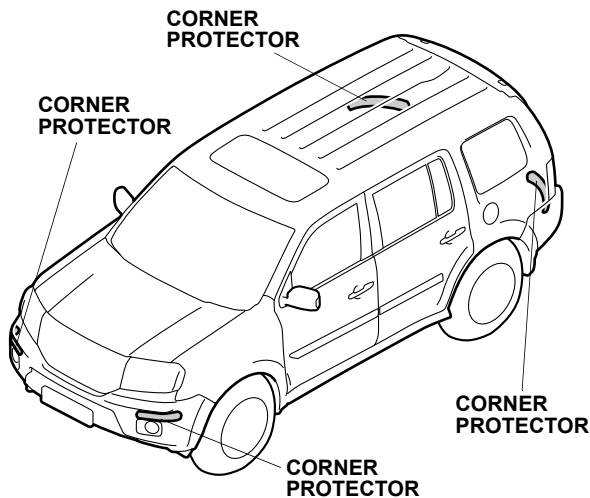
Scale

Felt-tip pen

Masking tape

Rubber roller

### *Illustration of the Corner Protectors Installed on the Vehicle*



## INSTALLATION

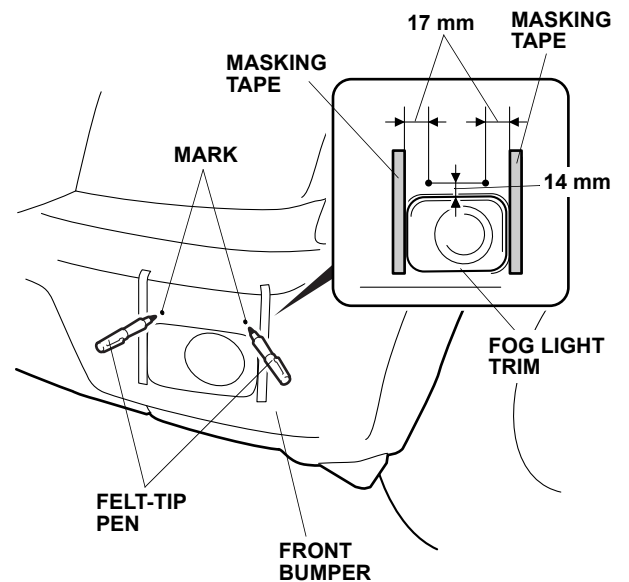
**Customer Information:** The information in this installation instruction is intended for use only by skilled technicians who have the proper tools, equipment, and training to correctly and safely add equipment to your vehicle. These procedures should not be attempted by “do-it-yourselfers.”

### NOTE:

- Take care not to damage the body paint finish.
- This corner protector kit should be installed only if the ambient air temperature is 15°C (60°F) or above. Heat the protectors and bonding surfaces with a heatgun or heat pump if the ambient air temperature is below 15°C (60°F).
- Wash the areas to be covered.
- To allow the adhesive to cure, do not wash the vehicle for 24 hours. Please advise the customer.

### Installing the Front Corner Protectors

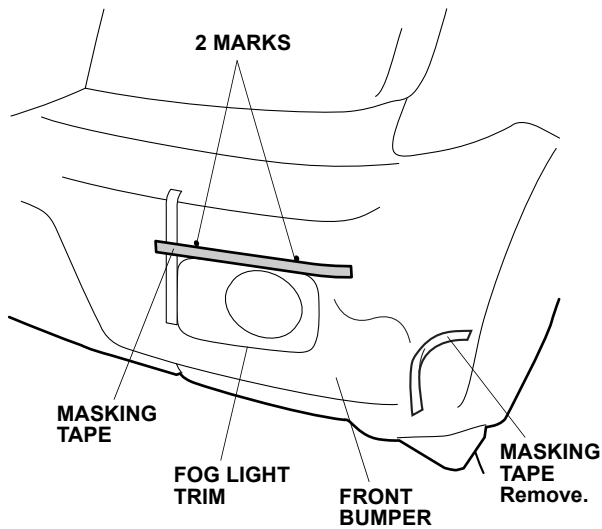
1. Align and attach the masking tapes to the left side of the front bumper as shown.



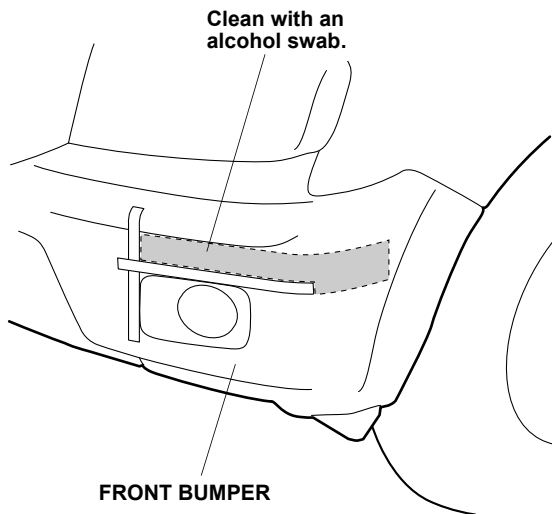
792607BE

2. Using a scale and a felt-tip pen, measure and mark two locations on the front bumper.

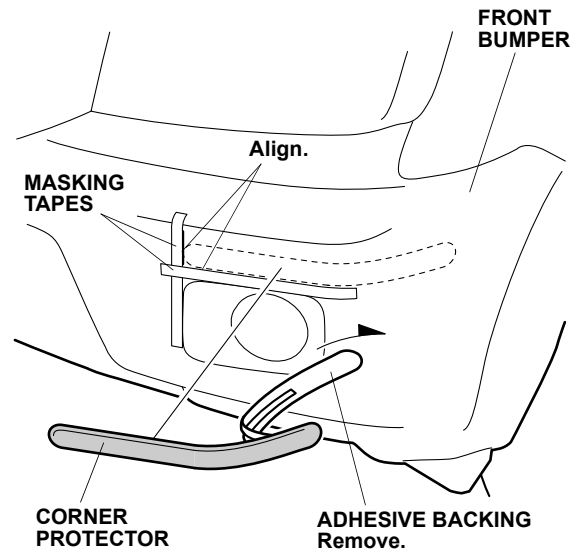
- Remove the masking tape. Align and attach the masking tape to the two marks made on the front bumper as shown.



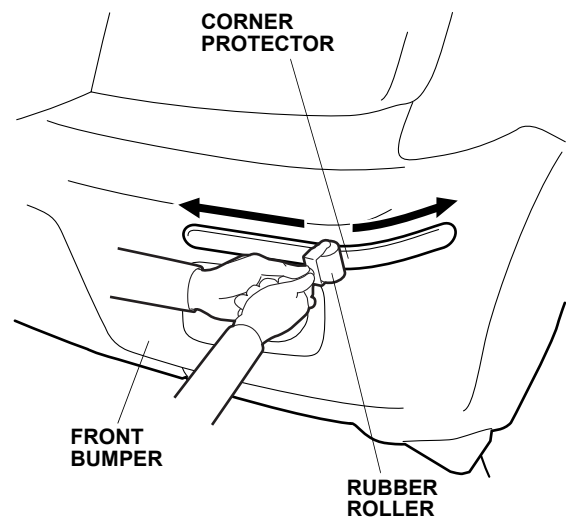
- Erase the marks you made on the front bumper.
- Using an alcohol swab, thoroughly clean the area where the corner protector will attach.



- Remove the adhesive backing from the corner protector. Check the back of the corner protector for the correct orientation.



- Attach the corner protector to the front bumper by aligning it with the masking tapes.
- Using a rubber roller, apply pressure against the corner protector and roll from one end to the other.

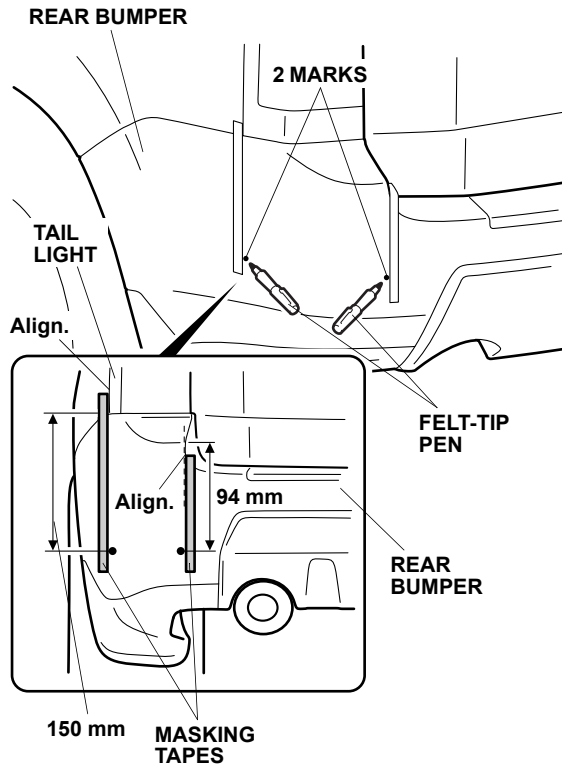


- Repeat steps 1 through 8 on the right side of the vehicle.

## Installing the Rear Corner Protectors

If the vehicle is equipped with accessory backup sensors, go to step 12; if not, go to step 10.

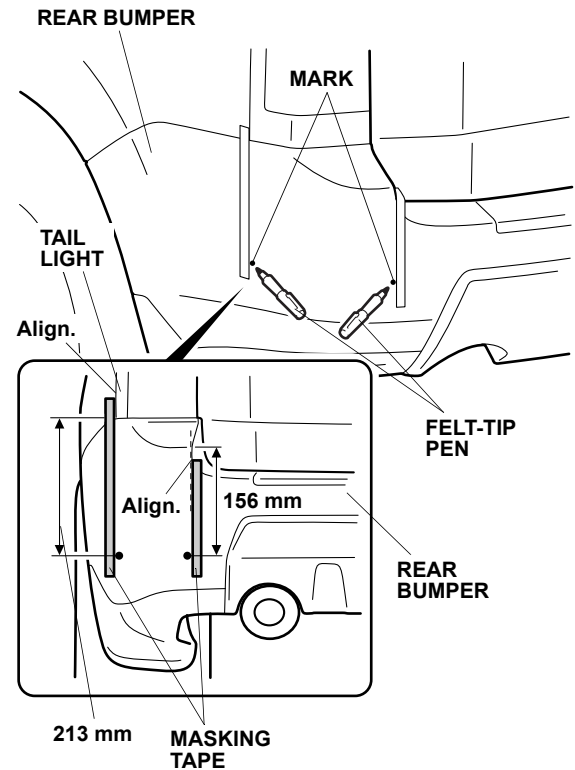
- Align and attach the masking tape to the left side of the rear bumper as shown.



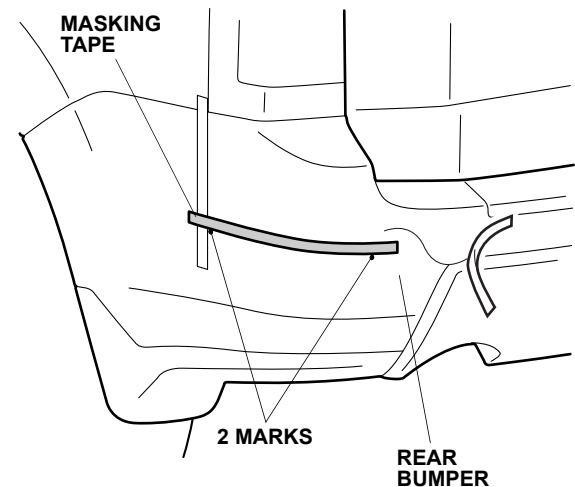
- Using a scale and a felt-tip pen, measure and mark two locations on the rear bumper. Go to step 14.

## With Accessory Backup Sensor

- Align and attach the masking tape to the rear bumper as shown.

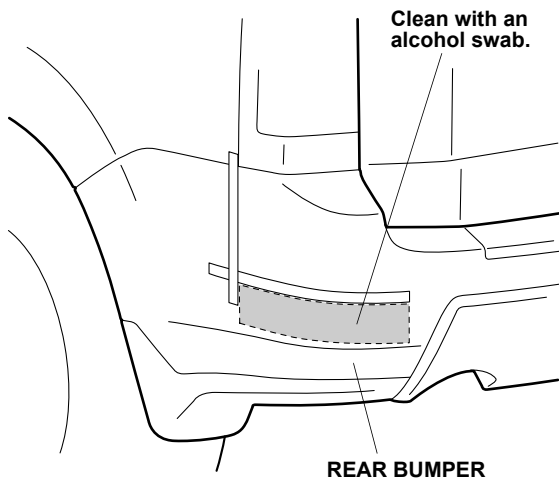


- Using a scale and a felt-tip pen, measure and mark two locations on the rear bumper.
- Remove the masking tape. Align and attach the masking tapes to two marks made on the rear bumper as shown.

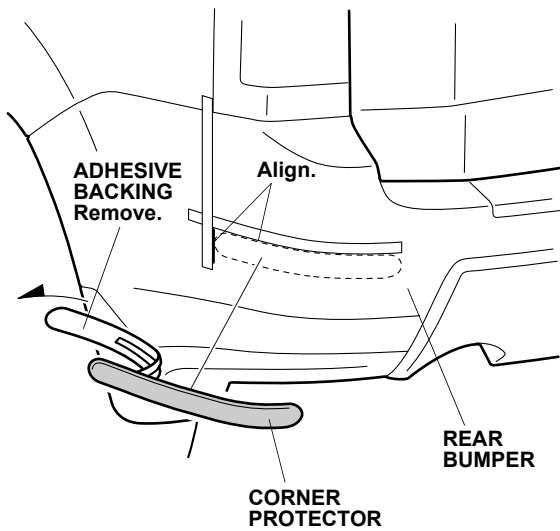


- Erase the marks you made on the rear bumper.

16. Using an alcohol swab, thoroughly clean the area where the corner protector will attach.

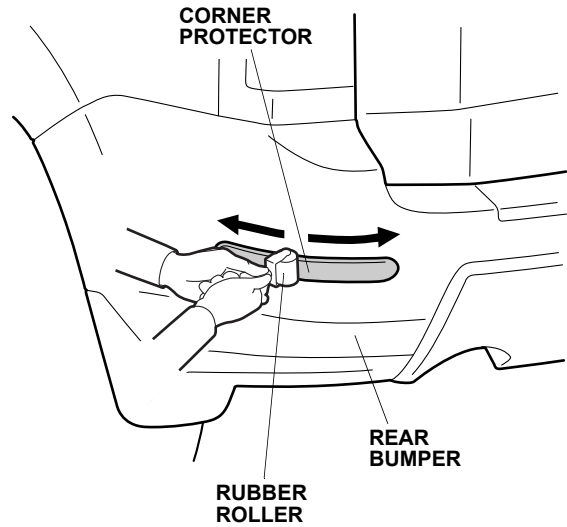


17. Remove the adhesive backing from the corner protector. Check the back of the corner protector for the correct orientation.



18. Attach the corner protector to the rear bumper by aligning it with the masking tapes.

19. Using a rubber roller, apply pressure against the corner protector and roll from one end to the other.



20. Repeat steps 10 through 19 on the right side of the vehicle.