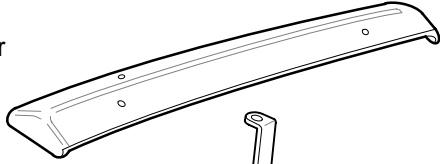


# HONDA INSTALLATION INSTRUCTIONS

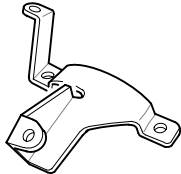
<b>Accessory</b>  REAR ROOF SPOILER P/N 08F02-ED1100	<b>Application</b>  PASSPORT	<b>Publications No.</b> All 21964
		<b>Issue Date</b> JULY 2000

## PARTS LIST

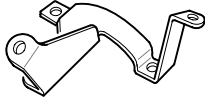
Rear roof spoiler



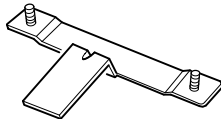
Right outer mounting bracket



Left outer mounting bracket



2 Inner mounting brackets



8 Nuts, 5 mm



4 Screws, 5 mm



4 Plastic washers



4 Rubber washers



Alcohol wipe packet



## TOOLS AND SUPPLIES REQUIRED

Ratchet

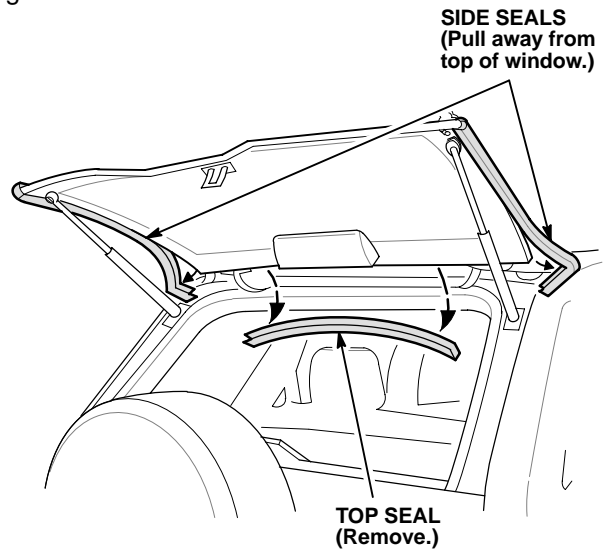
8 mm Socket

8 mm Wrench

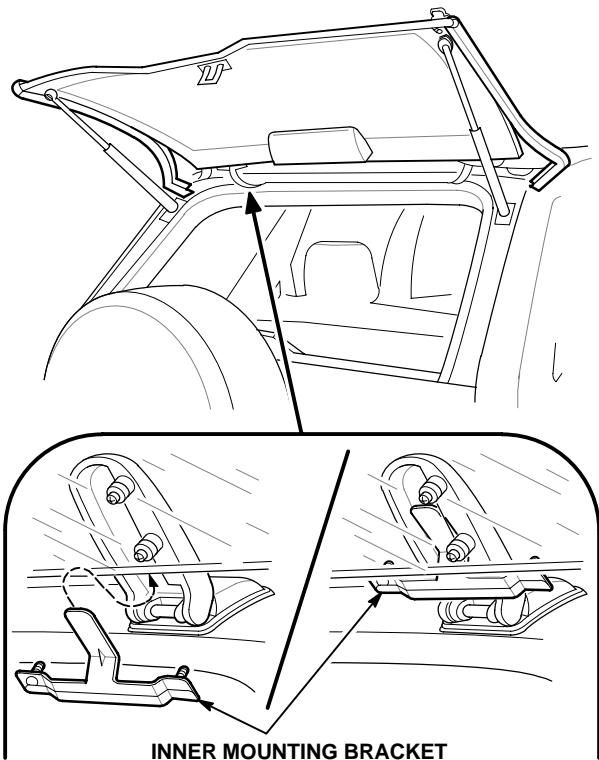
#2 Phillips screwdriver

## INSTALLATION

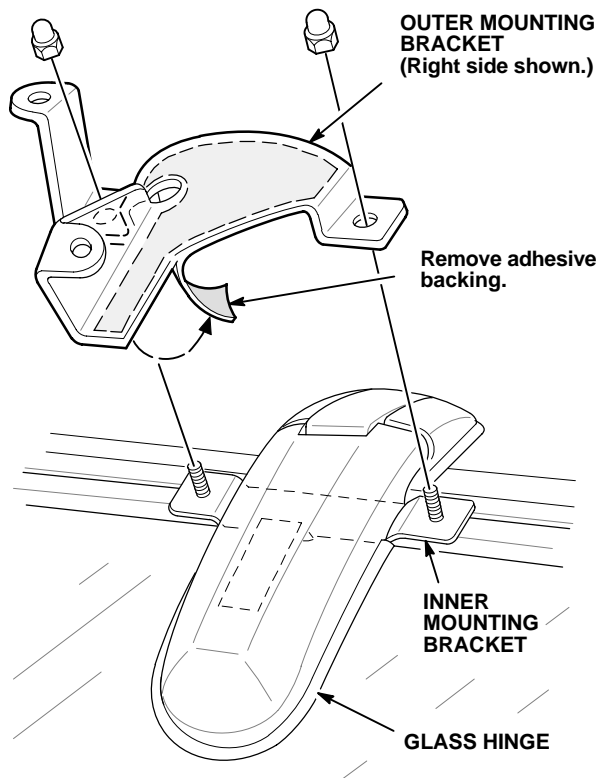
1. Open the rear window, and remove the rubber seals from the top and side edges of the window glass.



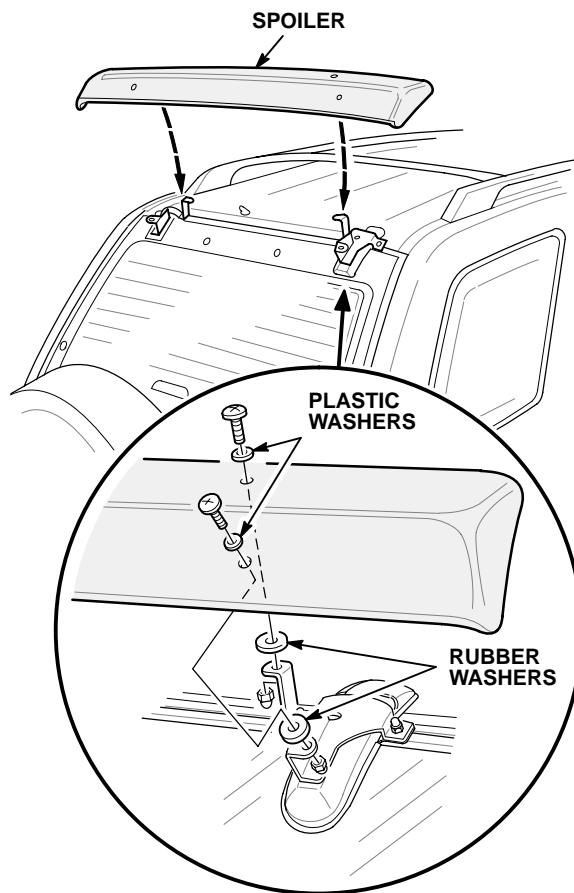
2. With the threaded studs facing up, slide the inner mounting bracket under the glass hinge. Be sure the brackets do not cut or interfere with the wire harness.



3. Reinstall the rubber seals on the top and side edges of the window glass.
4. Clean the top surface of the glass hinge with the alcohol wipe. Remove the adhesive backing from the outer mounting bracket, then press it firmly onto the glass hinges, and install the two 5 mm bolts.



5. Install the plastic washers onto the screws.



6. Have an assistant hold the spoiler up to the outer mounting brackets. Working at one mounting hole at a time, insert a rubber washer between the spoiler and the mounting bracket, then install a screw, and finger-tighten it with a nut.
7. Tighten all the screws, and check to make sure the wire harnesses are not pinched or interfering with any body parts.