



INSTALLATION INSTRUCTIONS

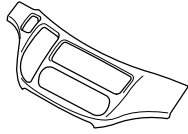
Accessory
**WOOD GRAIN TRIM KIT
 (DASHBOARD)
 EXCEPT LX**

Application
ODYSSEY

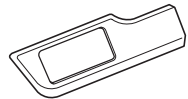
Publications No.
All 27372
 Issue Date
SEP 2004

PARTS LIST

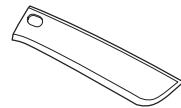
Wood-Grain Center Panel



Wood-Grain Switch Panel



Wood-Grain Console Lid Panel



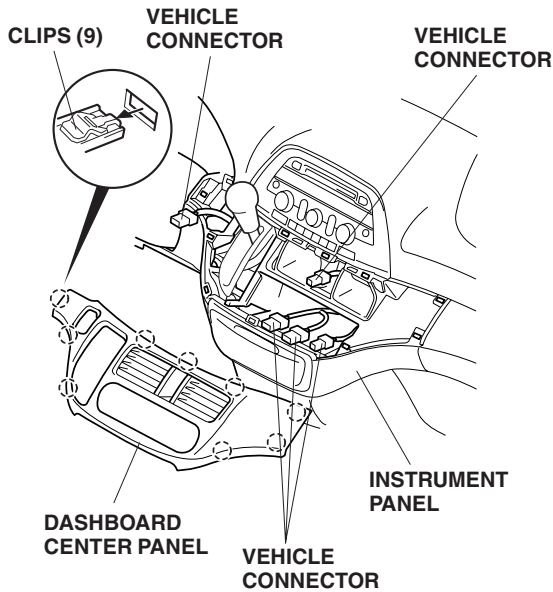
SUPPLIES REQUIRED

Shop towel

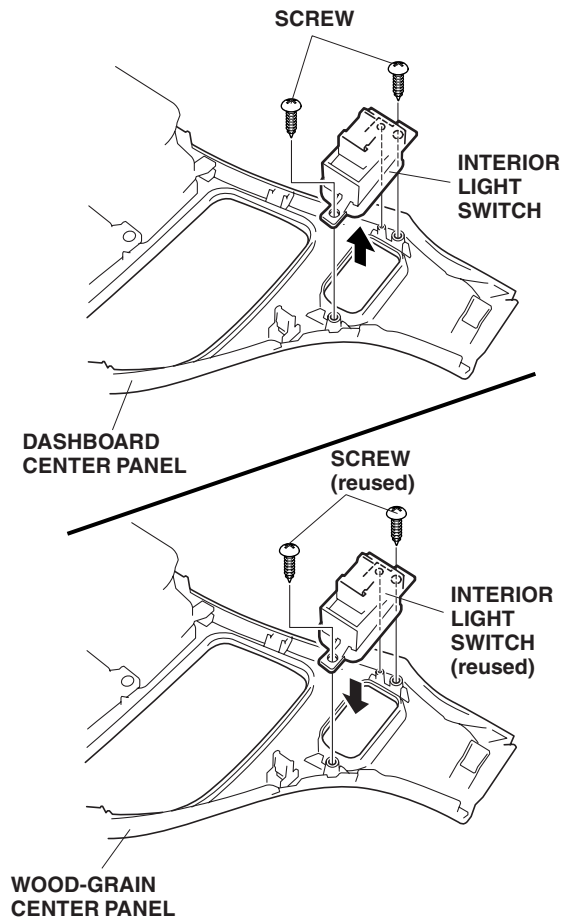
Masking tape

KTC trim tool set SOJATP2014

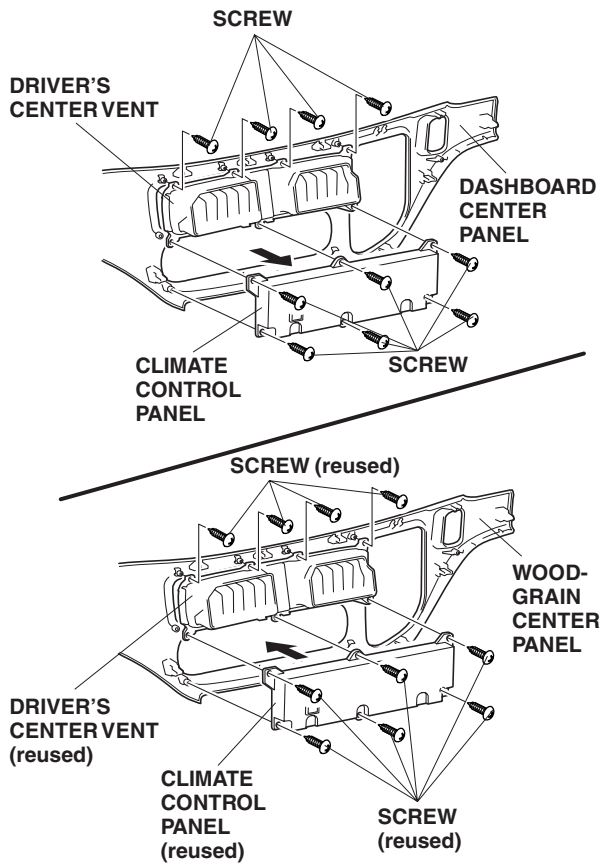
- Starting near the select lever, gently pry up on the dashboard center panel to release the 9 clips. Disconnect the vehicle connectors and remove the dashboard center panel.



- Remove the interior light switch (two screws), and transfer the switch to the wood-grain center panel.

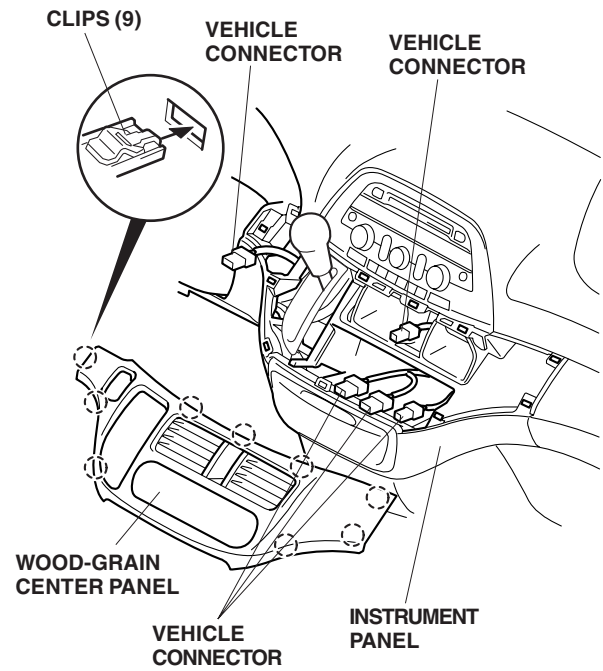


- Remove the driver's center vent (four screws), and transfer the center vent to the wood-grain center panel.

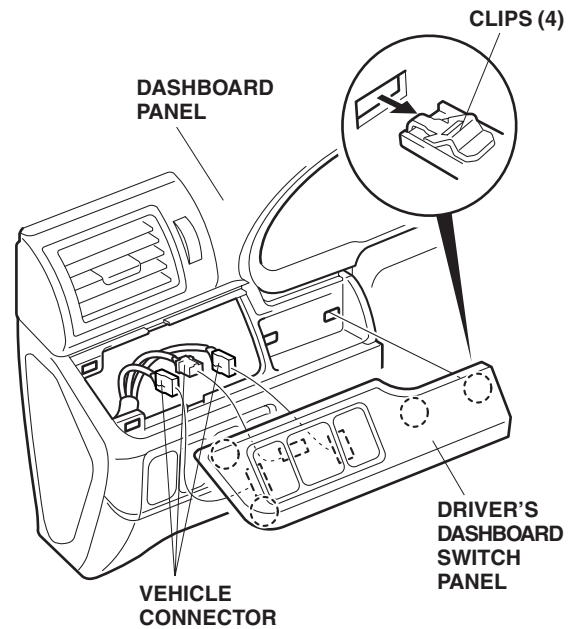


- Remove the climate control panel (six screws), and transfer the control panel to the wood-grain center panel.

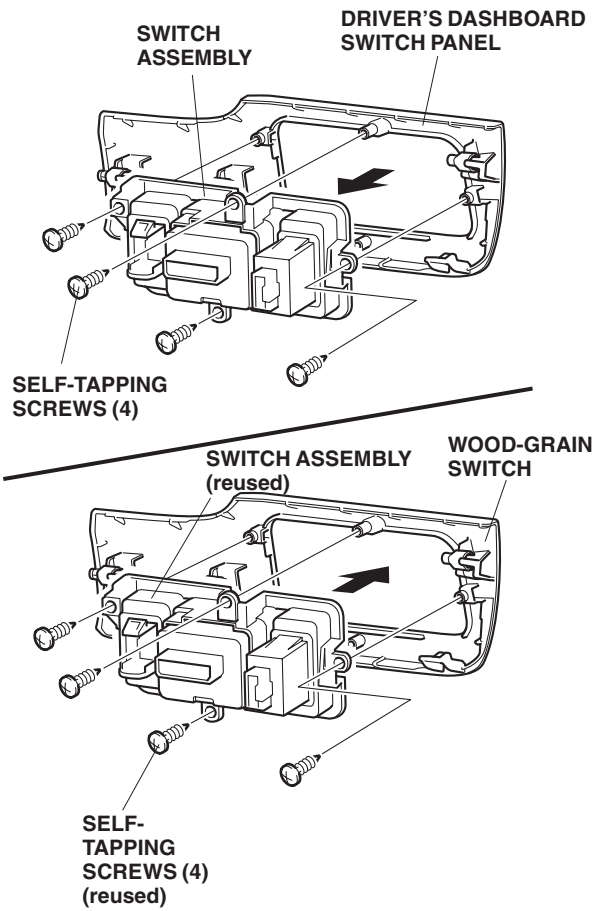
- Plug in the vehicle connectors and install the wood-grain center panel to the dashboard.



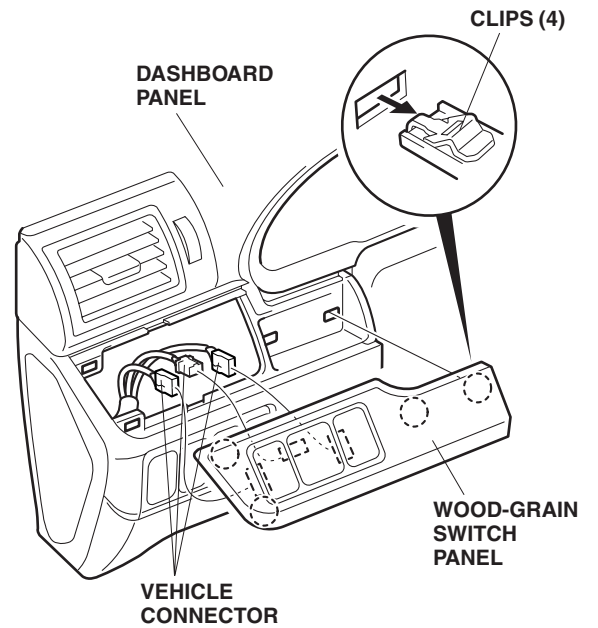
- Remove the driver's dashboard switch panel (four clips and unplug the vehicle connectors).



7. Remove the switch assembly (four screws) and transfer the switch assembly to the wood-grain switch panel.



8. Plug in the vehicle connectors, and install the wood-grain switch panel.



9. Remove the passenger's console panel (six clips), and install the wood-grain console panel.

