



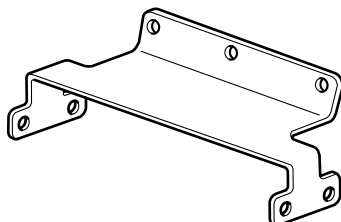
INSTALLATION INSTRUCTIONS

| | | |
|--|-------------------------------|--------------------------------------|
| Accessory CASSETTE/IN-DASH 6 DISC/ MP3 PLAYER ATTACHMENT KIT | Application ODYSSEY | Publications No. All 27341 |
| | | Issue Date SEP 2004 |

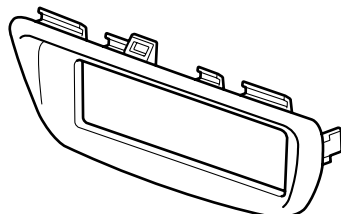
PARTS LIST

**Player Attachment Kit (sold separately):
 P/N 08B06-SHJ-100**

Player bracket



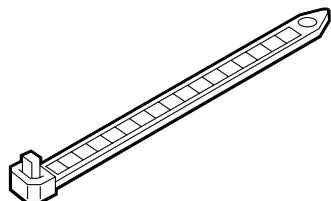
Trim



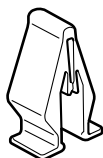
BUS cable



6 Wire ties

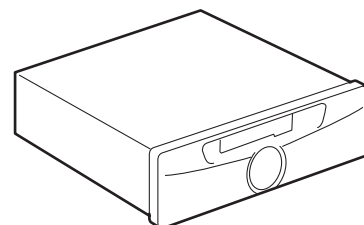


2 Clips



**Cassette Player (sold separately):
 P/N 08A03-5E1-000**

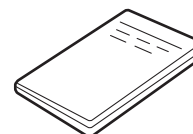
Cassette player



4 Washer-screws, 5 x 8 mm

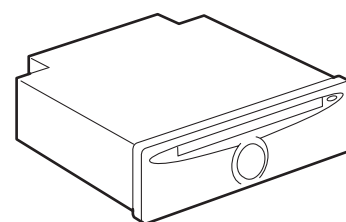


Owner's Manual



**MP3 Player (sold separately):
 P/N 08A06-4E1-200**

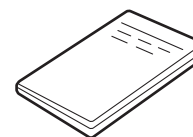
MP3 player



4 Washer-screws, 5 x 8 mm

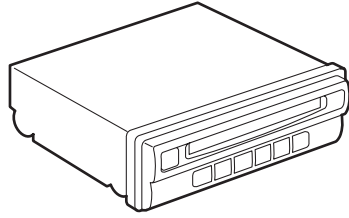


Owner's Manual



**In-Dash CD Changer (sold separately):
P/N 08A06-3E1-300**

In-Dash CD changer



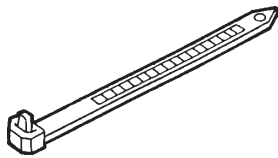
6 Washer-screws, 5 x 8 mm
(2 not used)



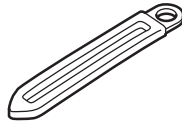
Washer-screw, 4 x 6 mm



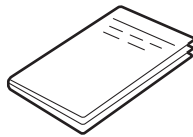
Wire tie
(not used)



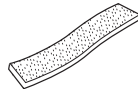
Harness clip



Owner's Manual



2 Felt strips (not used)



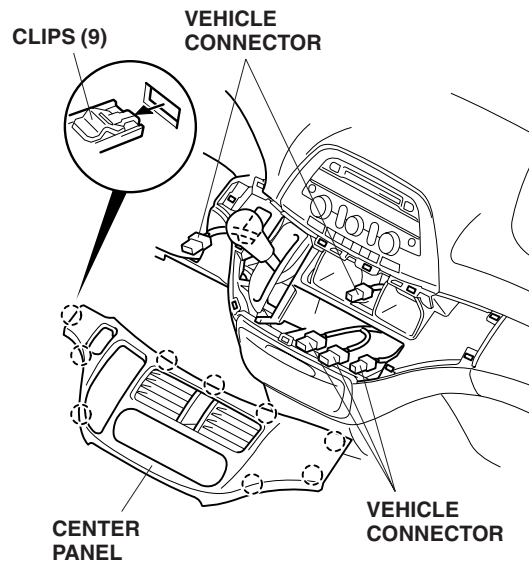
TOOLS AND SUPPLIES REQUIRED

- #2 Phillips screwdriver
- Flat-tip screwdriver
- Ratchet
- 10 mm Socket
- 10 mm Combination wrenches

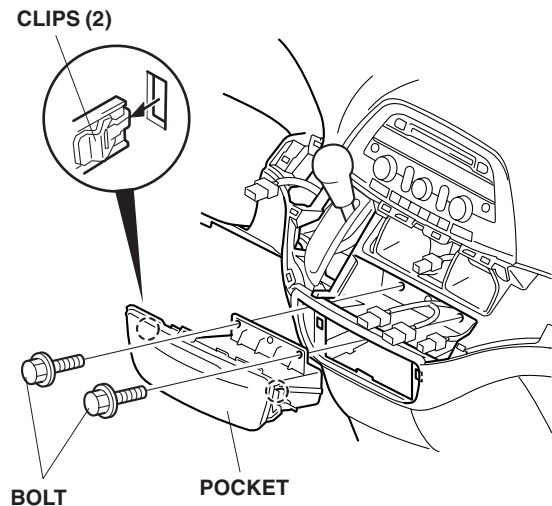
INSTALLATION

Customer Information: The information in this installation instruction is intended for use only by skilled technicians who have the proper tools, equipment, and training to correctly and safely add equipment to your vehicle. These procedures should not be attempted by "do-it-yourselfers."

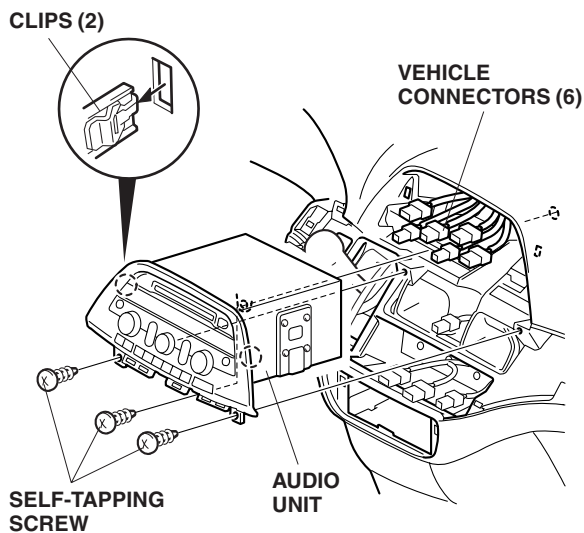
1. Make sure you have the anti-theft code for the radio, then write down the radio station presets.
2. Disconnect the negative cable from the battery.
3. Place the shift lever in the N (Neutral) position.
4. Remove the center panel (nine clips, and disconnect the vehicle connectors).



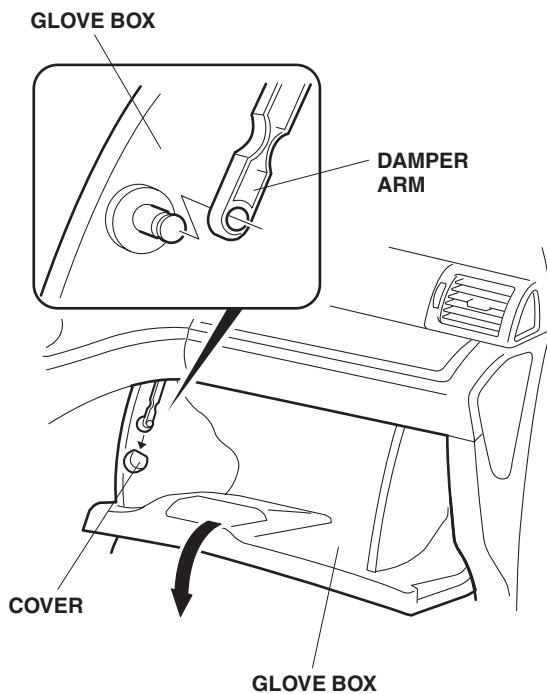
5. Remove the pocket (two bolts and the two clips).



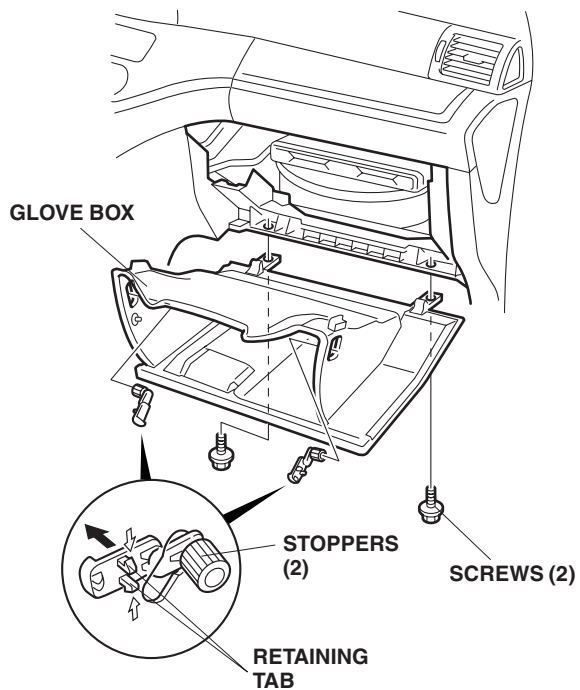
- Remove the audio unit (three self-tapping screws, two clips and disconnect the vehicle connectors).



- Remove the damper arm cover and disconnect the arm.

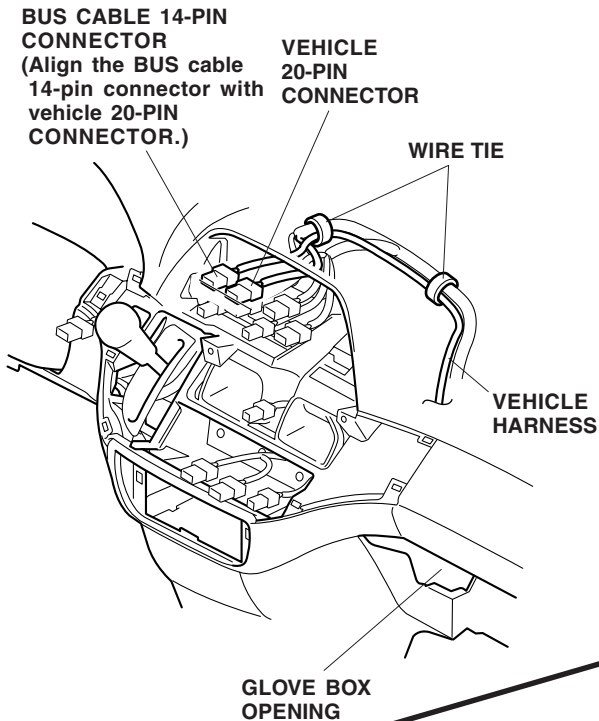


- Open the glove box and remove the two stoppers by releasing the two retaining tabs. Remove the two screws that fasten the glove box, and remove the glove box.

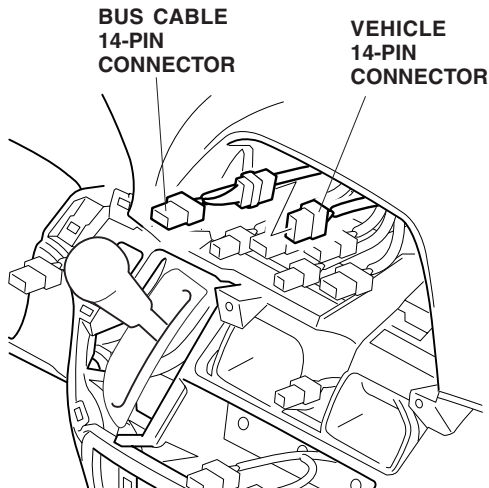


Routing the Harness

- Match the length of bus cable to the length of the vehicle 20-pin connector, then route the bus cable towards the glove box opening.

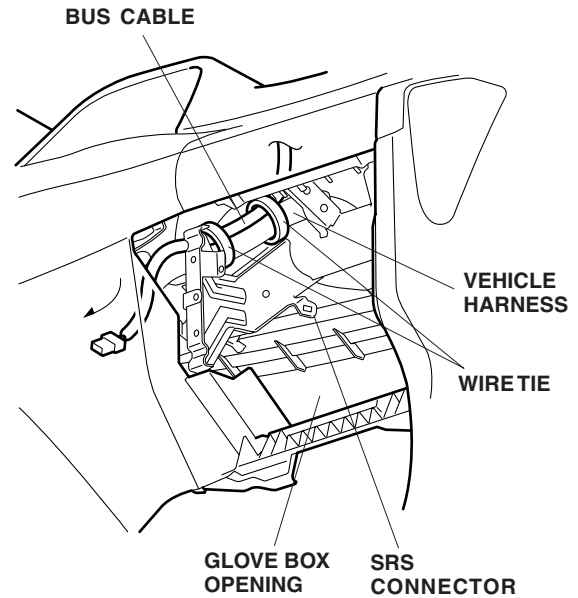


EX model only: connect the vehicle 14-pin connector to the bus cable 14-pin connector.

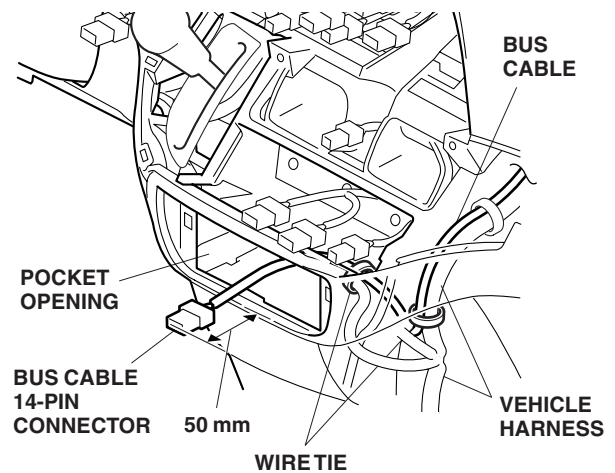


- Inside the upper dashboard opening, secure the bus cable to the vehicle harness with two wire ties.

- Inside the glove box opening, secure the bus cable to the vehicle harness with two wire ties.

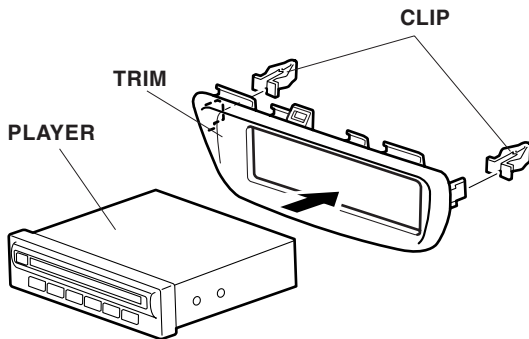


- Route the bus cable from the glove box area to the pocket opening. Secure the BUS cable to vehicle harness with two wire ties.

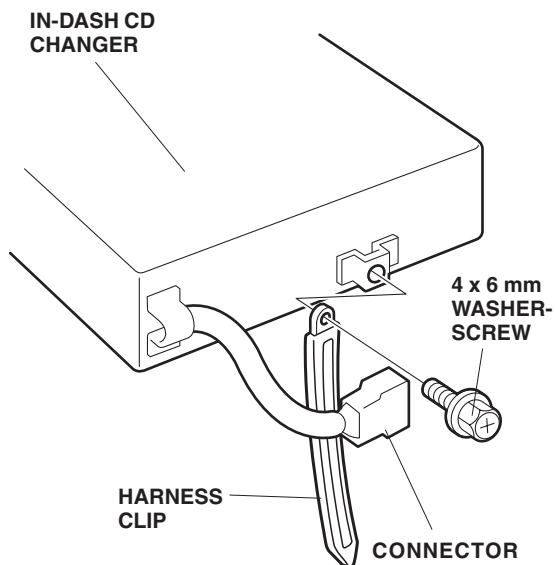


Installing the Player

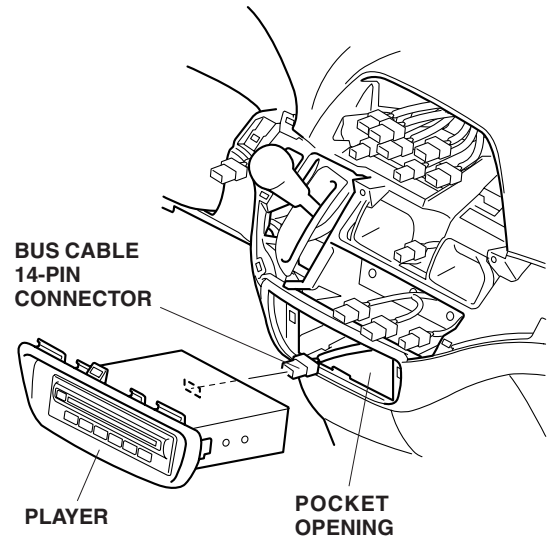
14. Get the player and the trim. Install the trim on the player.



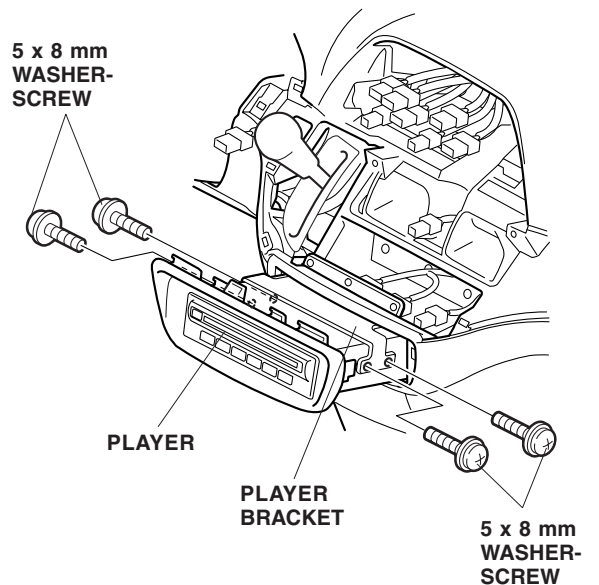
15. Install the two clips to the trim.
16. If you are installing an in-dash CD changer, install the harness clip to the back of the in-dash CD changer using the 4 x 6 mm screw. Secure the connector with the harness clip.



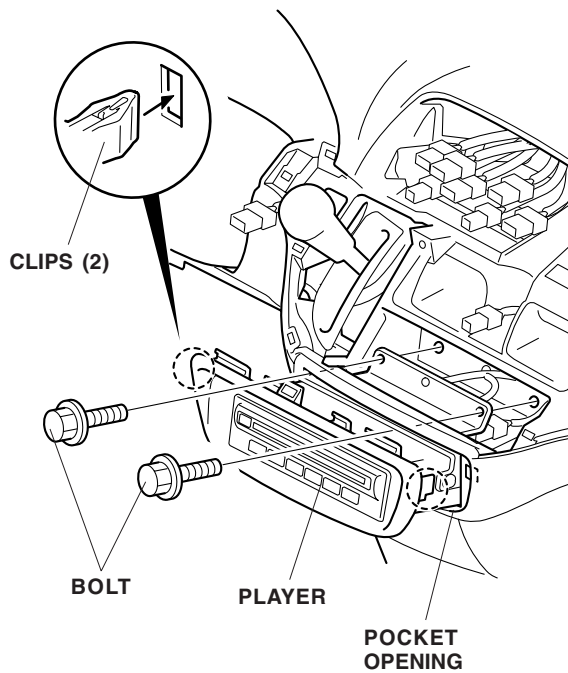
17. Connect the bus cable 14-pin connector the player and set the player in the pocket opening.



18. Pull out the player. Position the player bracket on the player and tighten the four 5 x 8 mm washer-screws as shown.



19. Install the player in the player opening using the two vehicle bolts removed in step 5.



20. Reconnect the negative cable to the battery.
21. Check the operation of the player according to the Owner's Manual provided.
22. Put the player Owner's Manual in the glove box.
23. Reset the clock and customer's radio station presets.

NOTE: Whenever the battery is disconnected, the driver's window AUTO function is disabled.

24. Start the engine. Push down on the driver's window switch until the window is fully open.
25. Pull up on the driver's window switch to close the window completely, then hold the switch for 2 seconds or more.
26. Test the AUTO window function.