



INSTALLATION INSTRUCTIONS

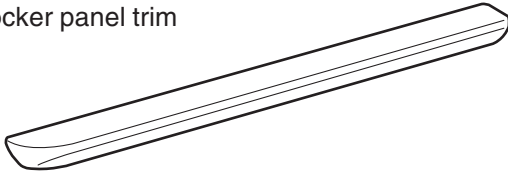
Accessory
ROCKER PANEL TRIM
 P/N 08P05-SCV-100

Application
ELEMENT

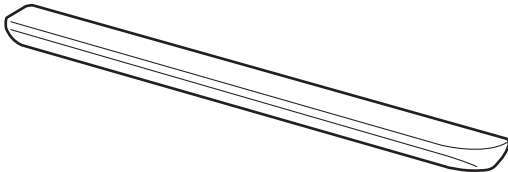
Publications No.
All 24301
 Issue Date
DEC 2002

PARTS LIST

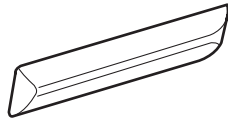
Left front rocker panel trim



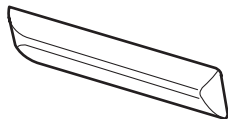
Right front rocker panel trim



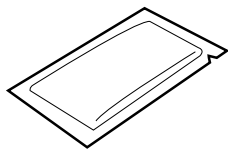
Left rear rocker panel trim



Right rear rocker panel trim



Alcohol pad



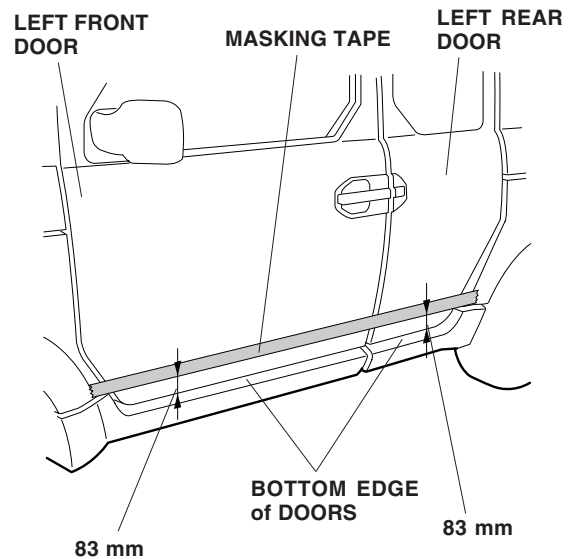
TOOLS AND SUPPLIES REQUIRED

- Tape measure
- Masking tape
- Felt-tip pen

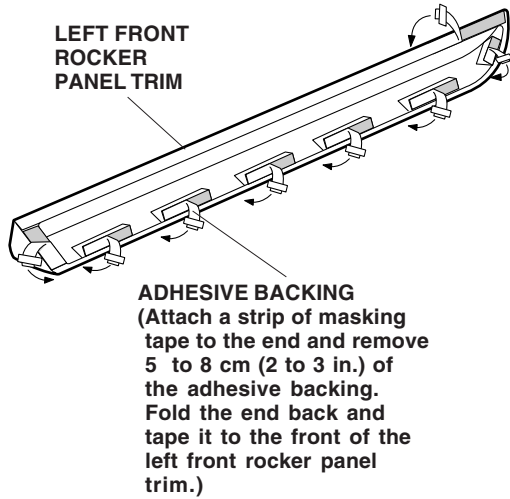
INSTALLATION

NOTE:

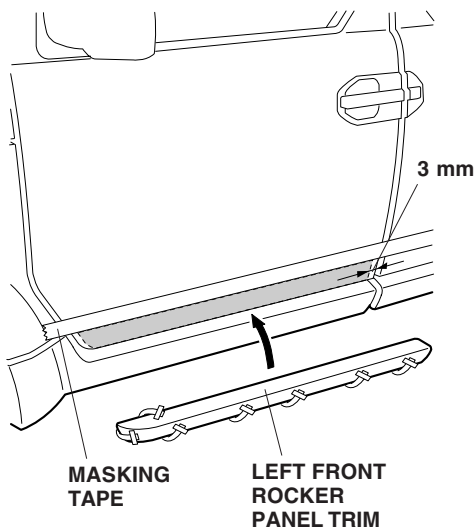
- Be careful not to damage the body paint finish.
 - This rocker panel trim kit should be installed only when the ambient air temperature is 60°F (15°C) or above.
 - To allow the adhesive to cure, do not wash the vehicle for 24 hours.
1. Using a tape measure and a felt-tip pen, measure the left front and left rear doors as shown. Attach masking tape to the doors continuously as indicated by the mark.



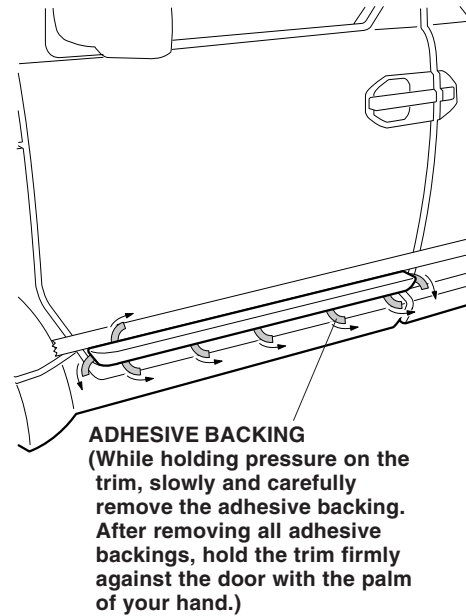
- Using alcohol pad, thoroughly clean the areas where the left front rocker panel trim will attach.



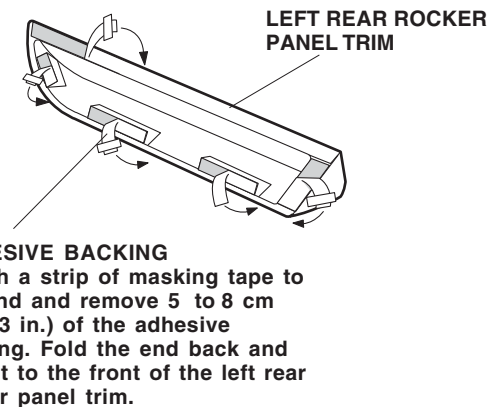
- Attach a strip of masking tape to the end of each adhesive backing, and remove 5 to 8 cm (2 to 3 in.) of the adhesive backing. Fold the ends back, and tape them to the front of the left front rocker panel trim.
- Position the left front rocker panel trim on the left front door and align its upper edge with the bottom edge of the masking tape attached in step 1. Align the rear edge of the left front rocker panel trim to a position 3 mm from the rear edge of the left front door.



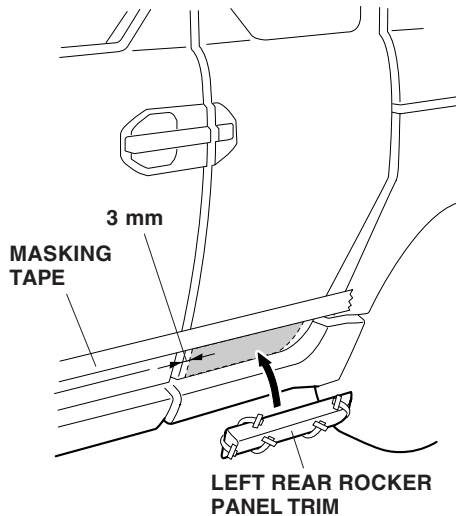
- While applying light pressure on the body, carefully remove the adhesive backings from the left front rocker panel trims.



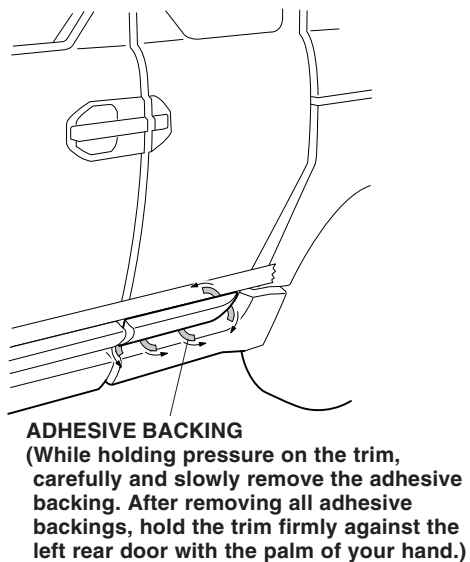
- After installing the trim use the palm of your hand to hold pressure against the trim for 30 seconds.
- Repeat steps 1 thru 6 install the right front rocker panel trim.
- Using alcohol pad, thoroughly clean the areas where the left rear rocker panel trim will attach.



9. Attach a strip of masking tape to the end of each adhesive backing, and remove 5 to 8 cm (2 to 3 in.) of the adhesive backing. Fold the ends back, and tape them to the front of the left rear rocker panel trim.
10. Position the left rear rocker panel trim on the left rear door and align its upper edge with the bottom edge of the masking tape attached in step 1. Align the front edge of the left rear rocker panel trim to a position 3 mm from the front edge of the left rear door.



11. While applying light pressure on the body, carefully remove the adhesive backings from the left rear rocker panel trims.



12. After installing the trim use the palm of your hand to hold pressure against the trim for 30 seconds.

13. Repeat steps 8 thru 12 install the right rear rocker panel trim.