

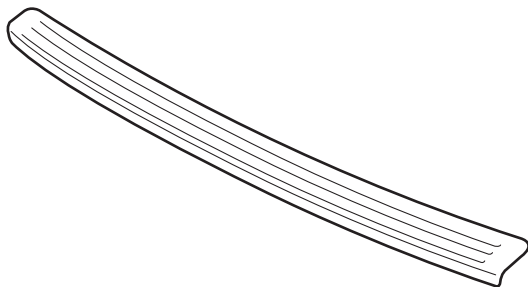


# INSTALLATION INSTRUCTIONS

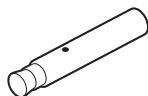
<b>REAR BUMPER TRIM</b> P/N 08P02-SCV-100	Accessory	Application <b>ELEMENT</b>	Publications No. <b>All 24299</b>
			Issue Date <b>JAN 2003</b>

## PARTS LIST

Rear bumper trim



2 Primers



## SUPPLIES REQUIRED

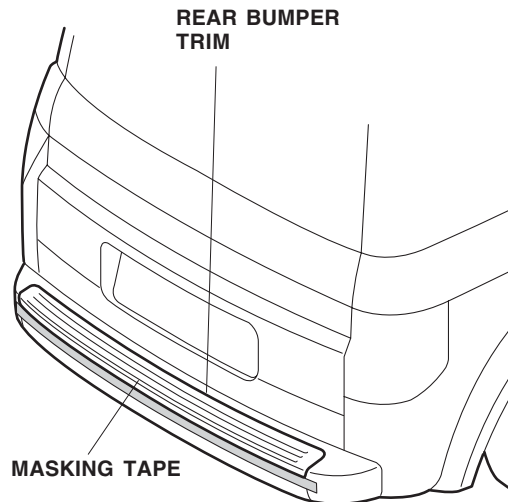
- Isopropyl alcohol
- Shop towel
- Masking tape

## INSTALLATION

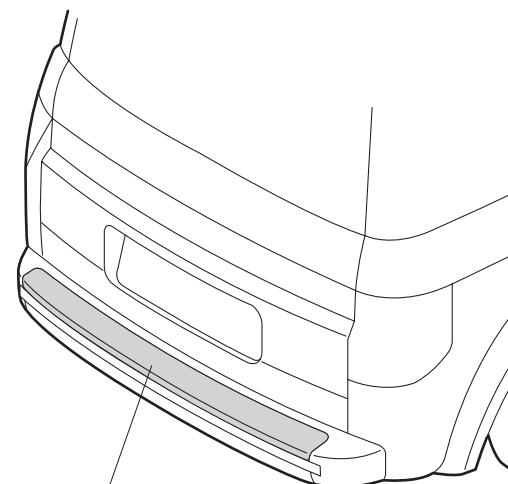
### NOTE:

- Be careful not to damage the body paint finish.
- This rear bumper trim should be installed only if the outside air temperature is 60°F (15°C) or above.
- Read the label on the primer before using.
- To allow the adhesive to cure, do not wash the vehicle for 24 hours.

1. To locate the area to be cleaned, position the trim on the rear bumper and align it with the recess in the bumper. Attach a piece of masking tape along the bottom edge of the trim. Remove the trim.

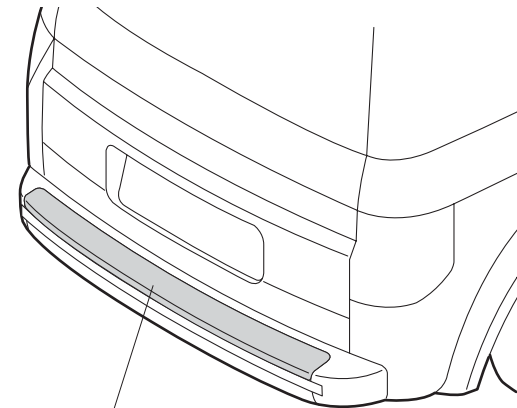
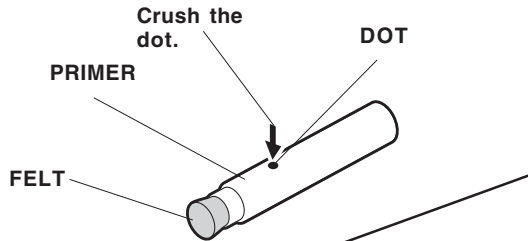


2. Using isopropyl alcohol on a shop towel, thoroughly clean the rear bumper where the trim will attach.



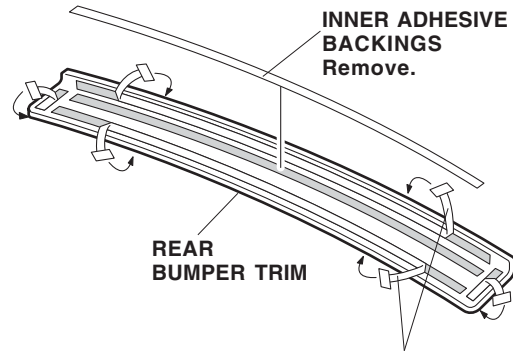
**ATTACHING LOCATION**  
Clean this area thoroughly with isopropyl alcohol.

3. Apply the primer to the rear bumper :
  - Get the primer. Use your thumb to crush the dot on the primer container package, then push the felt until it soaks up the primer.
  - Using both primers, apply primer to the rear bumper. Wipe up any spilled or excess primer.
  - Allow the primer to dry for at least 5 minutes.



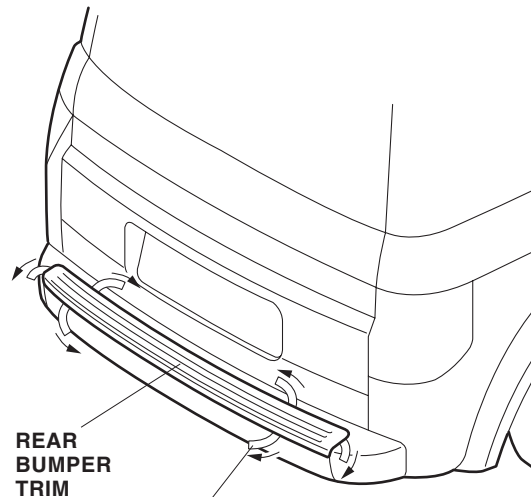
Apply the primer to the shaded area.

4. On the back of the rear bumper trim, attach a strip of masking tape to the end of each outer adhesive backing, and remove 2 to 3 inches (5 to 8 cm) of the adhesive backing. Fold the ends back, and tape them to the front of the rear bumper trim. Remove and discard all of the inner adhesive backings.



**OUTER ADHESIVE BACKING**  
Attach a strip of masking tape to the end and remove 2 to 3 inches (5 to 8 cm) of the adhesive backing. Fold the end back and tape them to the front of the rear bumper trim.

5. Position the rear bumper trim on the rear bumper. While applying light pressure on the rear bumper, carefully remove the adhesive backings from the rear bumper trim.



**ADHESIVE BACKING**  
Carefully remove while holding pressure on the trim. After attaching, hold the trim firmly against the rear bumper with the palm of your hand.

6. After installing the rear bumper trim, use the palm of your hand to hold pressure against it for 30 seconds.