



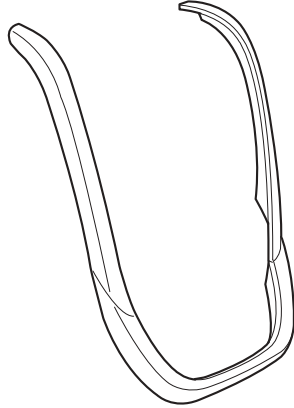
# INSTALLATION INSTRUCTIONS

Accessory	Application	Publications No. <b>All 24294</b>
<b>INTERIOR TRIM KIT</b>	<b>ELEMENT</b>	Issue Date <b>DEC 2002</b>

## PARTS LIST

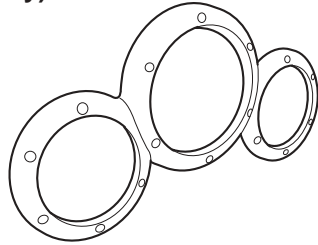
**Center Panel Trim Kit (sold separately)**  
**P/N 08Z03-SCV-100A ( Blue)**  
**P/N 08Z03-SCV-100C (Gray)**

Center trim

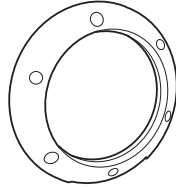


**Meter Panel Trim Kit (sold separately)**  
**P/N 08Z03-SCV-100B ( Blue)**  
**P/N 08Z03-SCV-100D (Gray)**

Meter trim

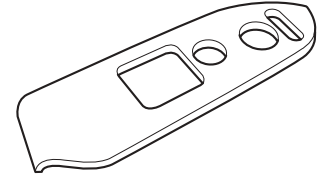


Air outlet trim

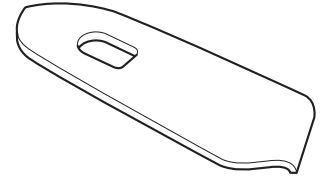


**Door Switch Trim Kit (sold separately)**  
**P/N 08Z03-SCV-100E ( Blue)**  
**P/N 08Z03-SCV-100F (Gray)**

Driver's door switch trim  
(EX model only)



Passenger's door switch trim  
(EX model only)



## SUPPLIES REQUIRED

- Isopropyl alcohol
- Shop towel
- Masking tape

## INSTALLATION

### NOTE:

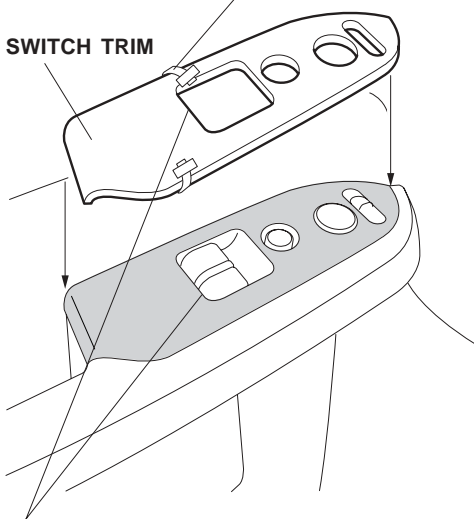
- Be careful not to damage the body paint finish.
- This interior trim kit should be installed only if the outside air temperature is 60°F (15°C) or above.

- Using isopropyl alcohol on a shop towel, thoroughly clean the areas where the interior trims will attach.
- Attach a strip of masking tape to the end of each outer adhesive backing, and remove about 2 to 3 cm (1/2 to 1 in.) of the adhesive backing. Fold the ends back, and tape them to the front of the trims. Remove and discard the inner adhesive backings.
- Position the interior trims on the existing panels. While applying light pressure to the inner panels, carefully remove the adhesive backings from the interior trims.
  - Before installing the switch trim, check that the hole in the panel is aligned with the switch hole properly.
  - Install the outlet trim so that the line drawn across the top and bottom recesses is vertical with the chipped end facing down.
- After installing the trims use the palm of your hand to hold pressure against them for 30 seconds.

#### Left Switch Trim: (EX model only)

**OUTER ADHESIVE BACKING**  
Remove 2 to 3 cm (1/2 to 1 in.) from the end, and tape it to the front of the trim.

**LEFT SWITCH TRIM**

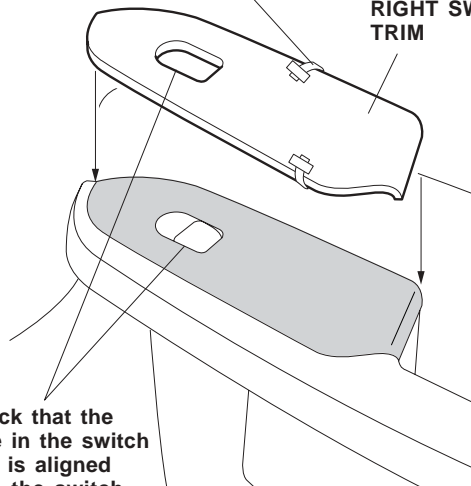


Check that the hole in the switch trim is aligned with the switch hole.

#### Right Switch Trim: (EX model only)

**OUTER ADHESIVE BACKING**  
Remove 2 to 3 cm (1/2 to 1 in.) from the end, and tape it to the front of the trim.

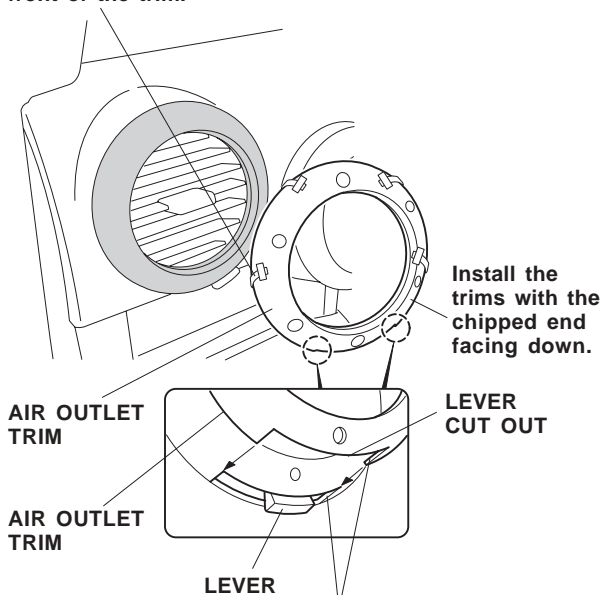
**RIGHT SWITCH TRIM**



Check that the hole in the switch trim is aligned with the switch hole.

#### Right and Left Air Outlet Trims:

**OUTER ADHESIVE BACKING**  
Remove 2 to 3 cm (1/2 to 1 in.) from the end, and tape it to the front of the trim.



Install the trims with the chipped end facing down.

**AIR OUTLET TRIM**

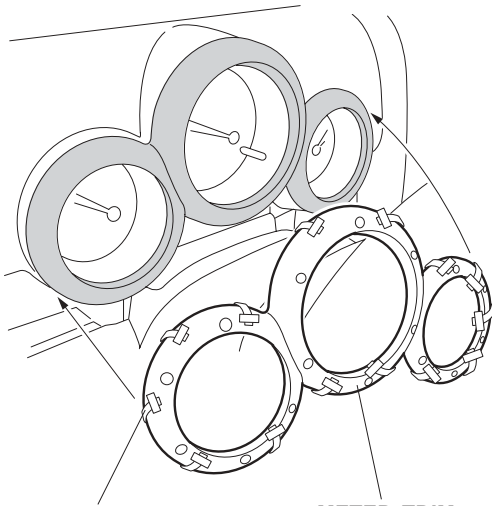
**LEVER CUT OUT**

**AIR OUTLET TRIM**

**LEVER**

Install the trims so that the cutout on the bottom matches the lever.

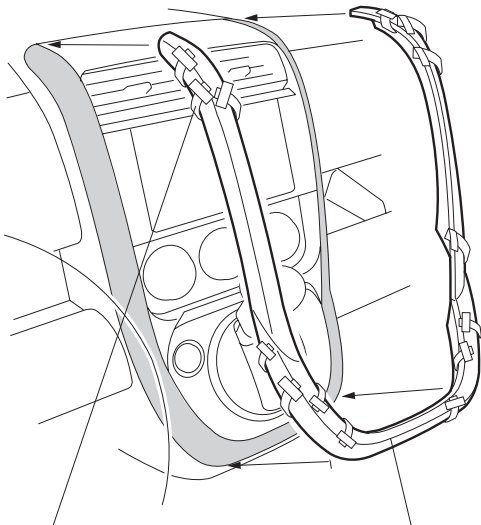
### Center Trim:



**OUTER ADHESIVE BACKING**  
Remove 2 to 3 cm (1/2 to 1 in.)  
from the end, and tape it to  
the front of the trim.

**METER TRIM**

### Meter Trim:



**OUTER ADHESIVE BACKING**  
Remove 2 to 3 cm (1/2 to 1 in.)  
from the end, and tape it to the  
front of the trim.

**CENTER TRIM**

### USE AND CARE

Use a sponge or soft cloth dampened with mild detergent and water solution. After cleaning, wipe with a clean, soft cloth. Do not use cleaners or polishers containing compounds to clean the interior trims as they may damage the surface.