



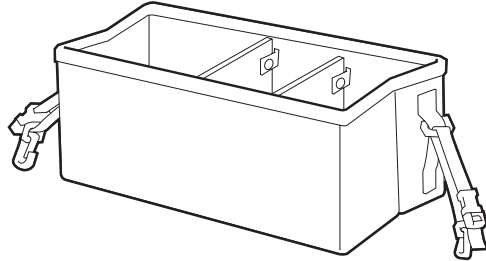
INSTALLATION INSTRUCTIONS

Accessory CARGO ORGANIZER P/N 08U20-S9V-100	Application ELEMENT	Publications No. All 24281
		Issue Date DEC 2002

Keep this information in the glove box for future reference.

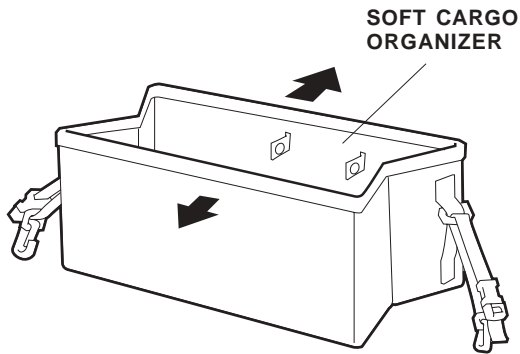
PARTS LIST

Soft cargo organizer

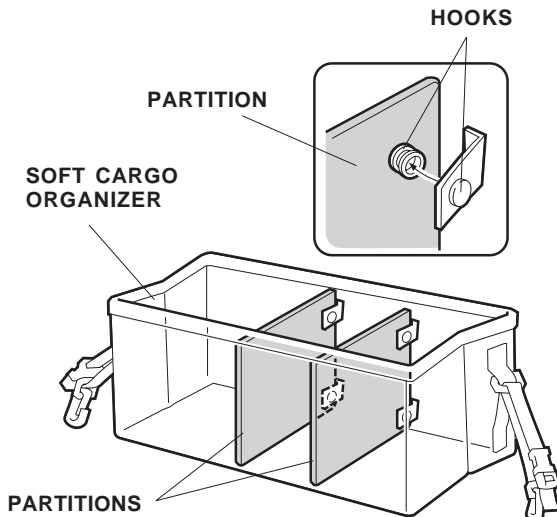


INSTALLATION

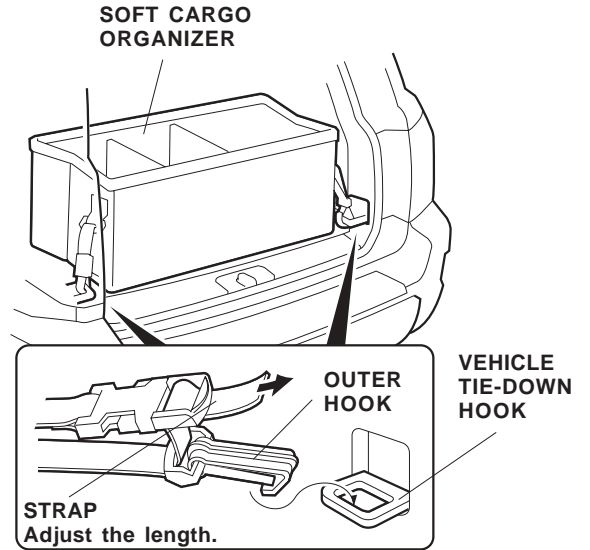
1. Open the soft cargo organizer.



2. Attach the two partitions to the soft cargo organizer by connecting the inner hooks.



3. Place the organizer in the cargo area of the vehicle, and attach the outer hooks of the organizer to the vehicle tie-down hooks.



4. Adjust the length of the strap as needed to secure the organizer to the tie-down hooks.

NOTE:

- Before storing articles that have sharp edges or corners, wrap them in paper or a blanket so their sharp edges or corners will not contact the soft cargo organizer.