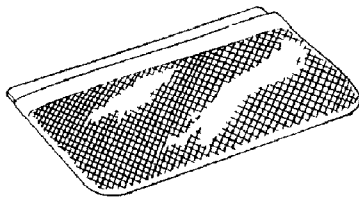
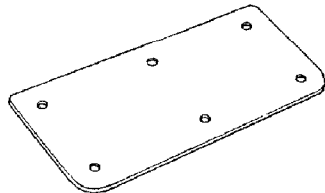
 HONDA INSTALLATION INSTRUCTIONS	Accessory TAILGATE NET P/N 08U07-S10-100	Application 2000 CR-V	Publications No. All 20656
			Issue Date OCT 1999

PARTS LIST

Tailgate net



Template



TOOLS REQUIRED

Pushpin

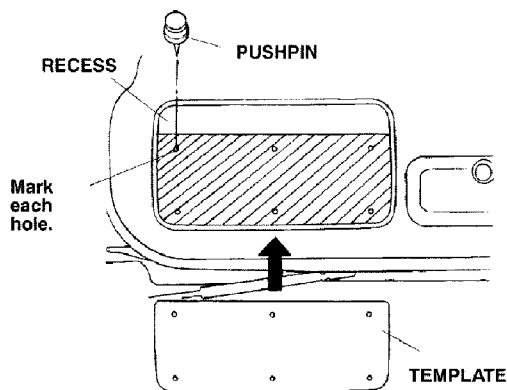
Eye protection (face shield, safety goggles, etc.)

Drill

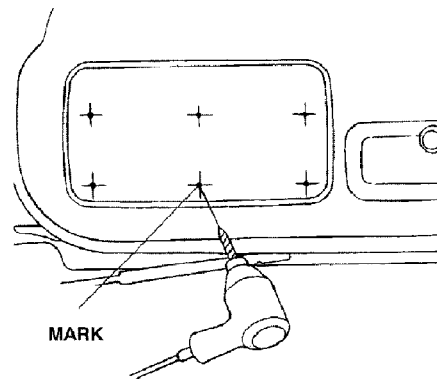
3 mm and 6.5 mm Drill bits

INSTALLATION

1. Open the tailgate.
2. Position the template on the recess of the tailgate door panel at the lower left corner of the tailgate. Using a pushpin, mark the panel at each of the six hole marks on the template. Remove the template.



3. While wearing eye protection, drill a 6.5 mm hole through each marked location.
 - First drill a pilot hole with a 3 mm bit, then finish with a 6.5 mm bit.
 - Take care not to drill through the tailgate.



4. Install the net on the tailgate door panel by inserting its clips into the 6.5 mm holes you drilled.

