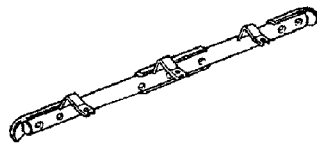


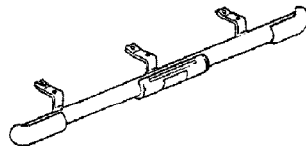
 HONDA INSTALLATION INSTRUCTIONS	Accessory SIDE SPORT TRIM P/N 08L33-S10-100	Application 2000 CR-V	Publications No. All 20651
			Issue Date OCT 1999

PARTS LIST

Right side trim



Left side trim



12 Washer-bolts, 8 x 25 mm



TOOLS AND SUPPLIES REQUIRED

Phillips screwdriver

Pushpin

Eye protection (face shield, safety goggles, etc.)

Drill

10 mm Drill bit

Utility knife

File

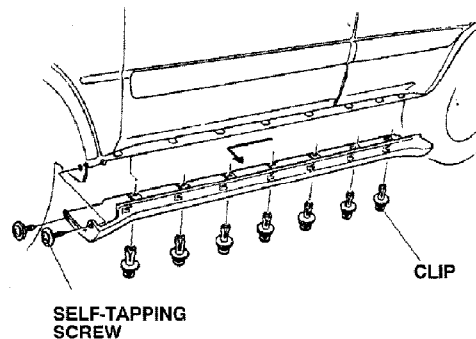
Ratchet

12 mm Socket

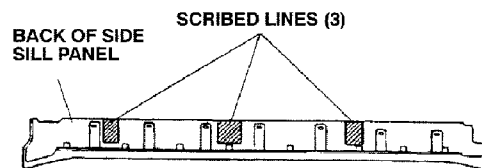
INSTALLATION

NOTE: These instructions show the left side trim being installed. The same procedure applies to installing the right side trim.

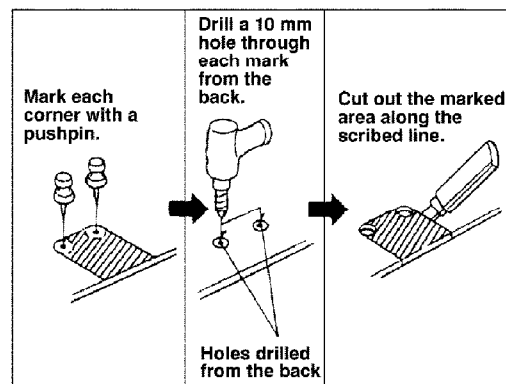
1. Remove the two self-tapping screws and the seven clips fastening the side sill panel, and remove the panel by sliding it forward.



2. Cut out the marked areas from the side sill panel (3 places):

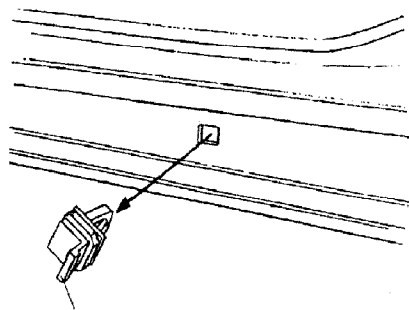


- Using a pushpin, mark the two rounded corners of each area.

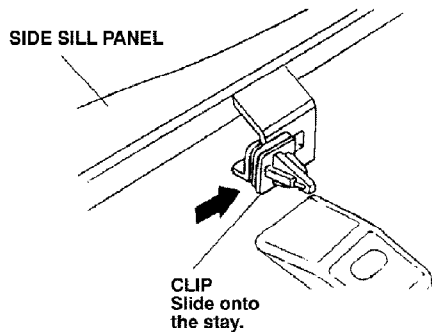


- While wearing eye protection, drill a 10 mm hole through each of the six marks.
- Using a utility knife, cut out the three areas along the scribed lines.

3. Remove the seven clips remaining on the body by turning them 45°. Reinstall the clips onto the stays of the side sill panel, removed in step 1.



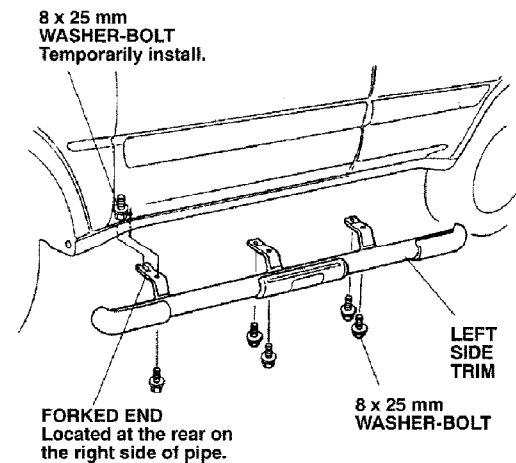
SIDE SILL MOUNTING CLIP (7 places)
Turn 45° to remove.



4. Reinstall the side sill panel.

5. Install the left side trim using six 8 x 25 mm washer-bolts from the kit.

The front side trim bracket has a forked end. To ease installation, temporarily install an 8 x 25 mm washer-bolt on the body; then engage the forked end with this bolt, and finally swing the trim into position on the body.



6. Repeat steps 1 through 5 to install the right side trim.