
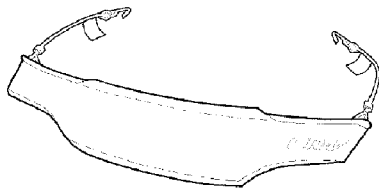


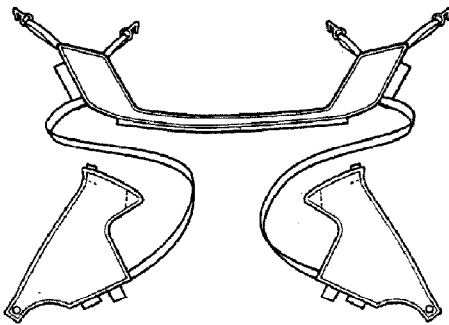
| | | | |
|--|---|---------------------------------|--------------------------------------|
|  HONDA INSTALLATION INSTRUCTIONS | Accessory NOSE MASK P/N 08P35-S10-100F | Application 2000 CR-V | Publications No. All 20645 |
| | | | Issue Date OCT 1999 |

PARTS LIST

Nose mask



Grille mask



2 Snap-screws



2 Washers



2 Fenderwell nuts



TOOLS REQUIRED

Stubby #2 Phillips screwdriver

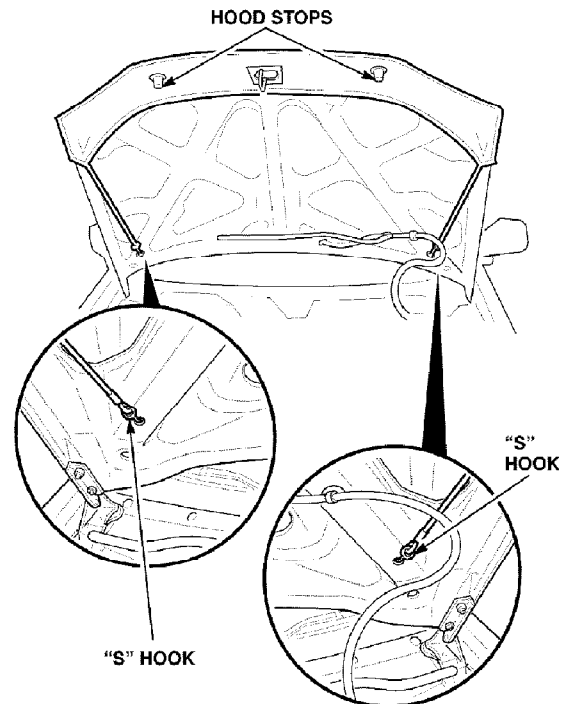
INSTALLATION

NOTE:

- Make sure the vehicle and the mask are clean and completely dry before installation. If moisture is present under the mask, it may cloud the paint. If the mask gets wet, remove it and allow it to air-dry completely.
- Make sure any repainted surfaces are cured.
- Make sure the hood and nose of the vehicle have been waxed with a high-quality paste wax.
- Make sure you install the mask securely. (If the mask starts to flap or comes loose while driving, safely pull off the highway, stop the vehicle, and secure or remove the mask.)

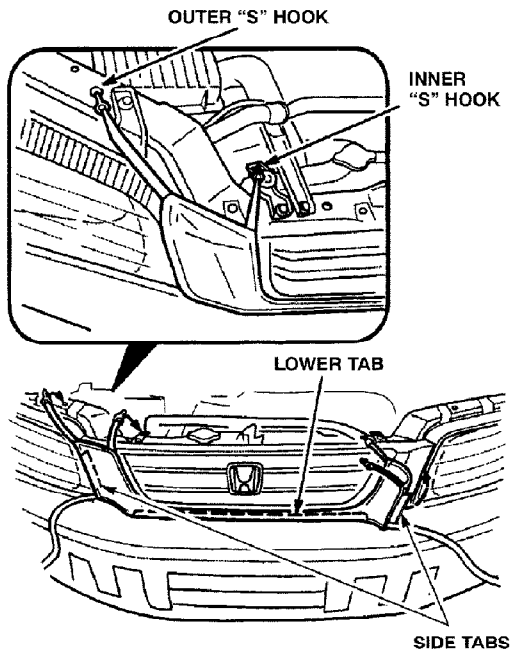
Installing the Nose Mask

1. Open the hood. Slide the ends of the nose mask over the edges of the hood, and center the mask's hood latch and hood stops. Carefully attach the "S" hooks to the small holes in the rear of the hood support. Make sure the mask fits smoothly.



Installing the Grille Mask

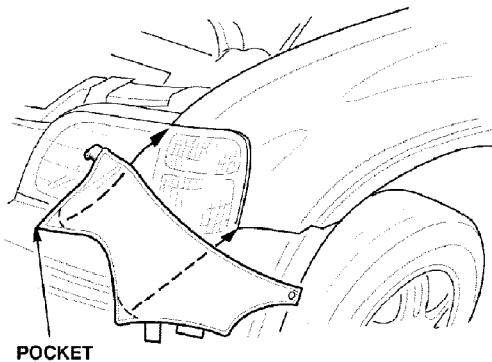
2. Insert the lower tab of the grille mask between the bumper and the grille; then insert the side tabs between the headlights and the grille.



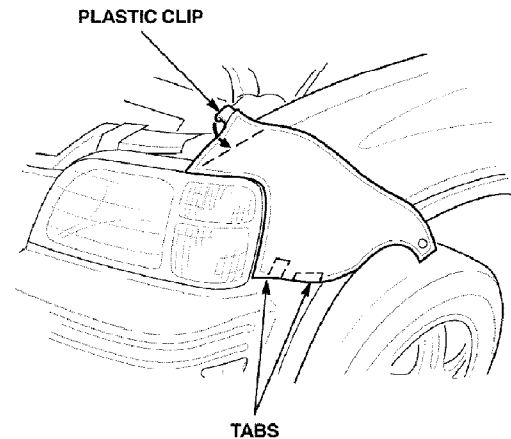
3. On each side of the grille mask, attach the inner "S" hook to the hole in the radiator bracket, and attach the outer "S" hook to the bulkhead hole above the headlight.

Installing the Left and Right Side Masks

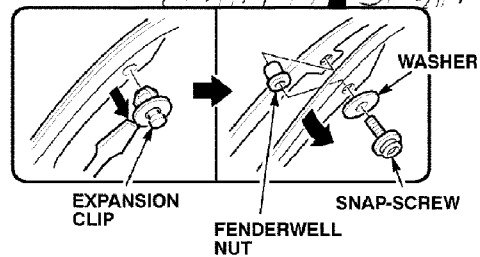
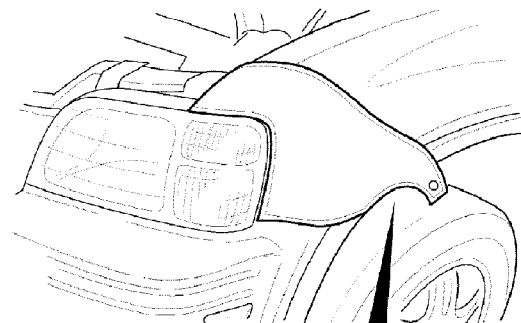
4. Slip the pocket of the side mask onto the corner of the fender.



5. Attach the plastic clip to the top inside edge of the fender. Insert the two tabs between the bumper and the fender.

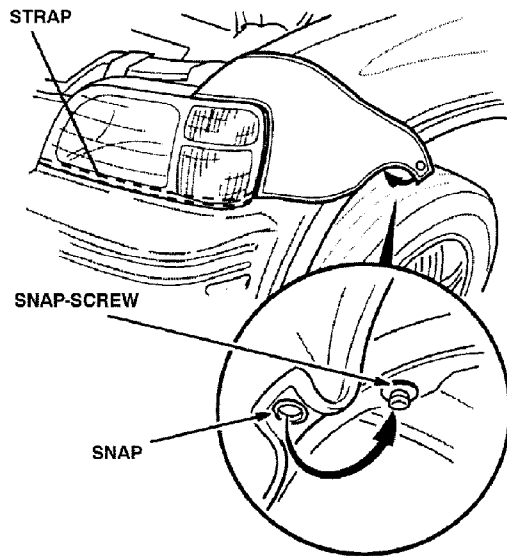


6. Turn the steering wheel all the way clockwise.
7. Pry out the expansion clip that fastens the inner fender to the fender; remove and retain the expansion clip, then clean the area around the hole.



8. Pull away on the inner fender and press a fenderwell nut into the hole in the fender flange. Reposition the inner fender against the fender.
9. With its washer in place, securely tighten a snap-screw into the fenderwell nut.

10. Pull the rear edge of the side mask back toward the wheelwell, smooth out any wrinkles, and attach the snap on the mask to the snap-screw on the fender.
11. Tuck the side mask strap between the headlight and the bumper.



12. Turn the steering wheel all the way counterclockwise, and repeat steps 4 through 11 on the right front fender for the right side mask.

CLEANING THE NOSE MASK

Use a sponge or cloth and a solution of mild liquid dishwashing soap and water to clean the vinyl and the flannel backing. Rinse the mask completely with clean water, and hang it to dry, out of direct sunlight. Make sure the mask is completely dry before you reinstall it.