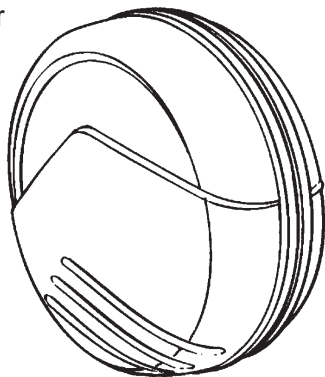


# HONDA INSTALLATION INSTRUCTIONS

Accessory	Application	Publications No.
<b>HARD SPARE TIRE COVER</b>	<b>CR-V</b>	<b>All 19463</b>
		Issue Date
		<b>JAN 1998</b>

## PARTS LIST

Hard spare tire cover

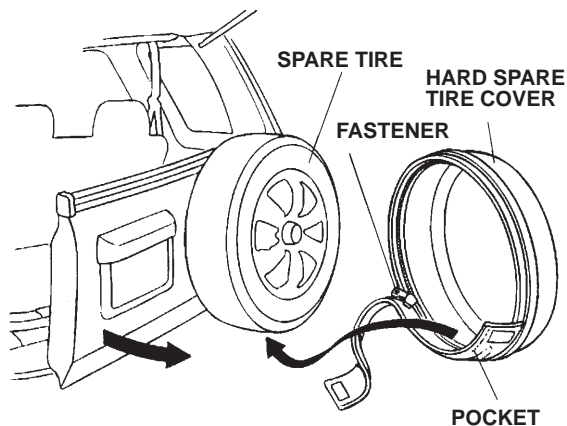


## INSTALLATION

### NOTE:

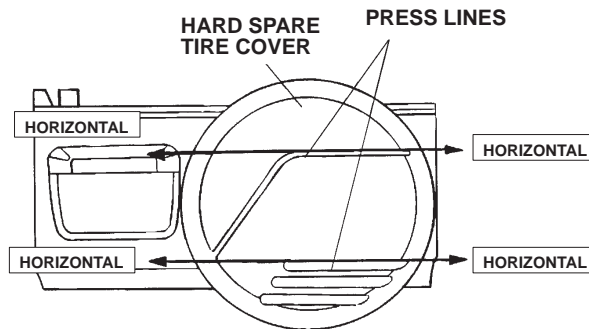
- The hard spare tire cover is designed to be used only with standard tires.
- Never install the hard spare tire cover on a flat tire.

1. If necessary, remove the standard spare tire cover and set it aside; it will not be reused.
2. Check that the tire is of the designated size and is inflated to the specified air pressure.
3. Open the rear gate.
4. Zip open the hard spare tire cover.

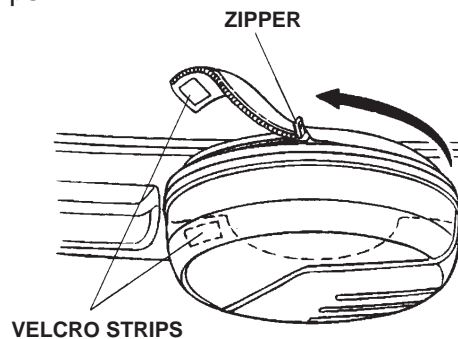


5. Fit the pocket of the tire cover over the bottom of the spare tire.

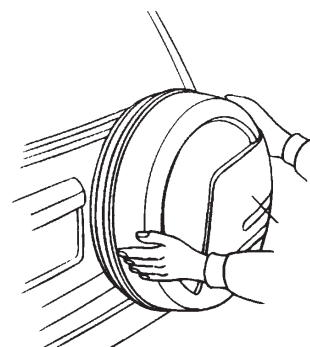
6. Adjust the location of the cover so that its press lines are horizontal.



7. Zip the cover closed, and attach the Velcro strips.



8. Check that the cover is seated on the tire properly, without any play, or it will rattle.



9. Put a copy of these instructions in the glove box for future reference.

## CLEANING THE HARD SPARE TIRE COVER

Use a sponge or soft cloth and a solution of mild liquid dishwashing soap and water to clean the hard spare tire cover.