

INSTALLATION INSTRUCTIONS

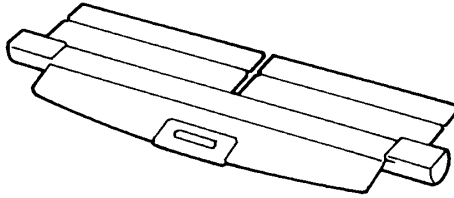
Accessory
RETRACTABLE CARGO COVER
 P/N 08U35-S10-100H

Application
1999 - 2001 CR-V

Publications No.
All 22018
 Issue Date
OCT 2000

PARTS LIST

Cargo cover



2 Cargo cover holders



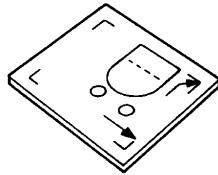
Left retainer



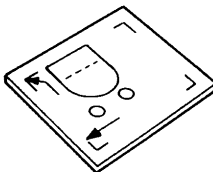
Right retainer



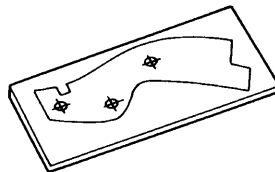
Left front template "A"



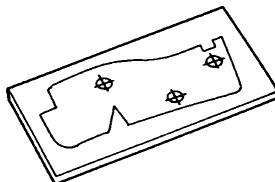
Right front template "A"



Left rear template "B"



Right rear template "B"



2 Large self-screws



6 Small self-screws



2 Spring nuts



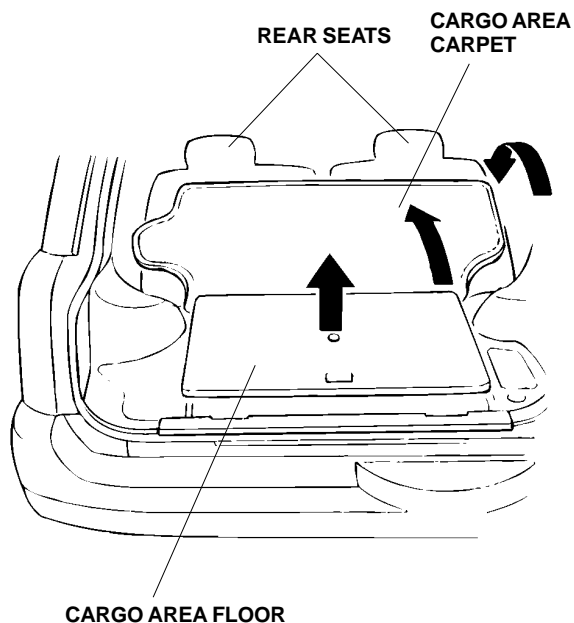
TOOLS AND SUPPLIES REQUIRED

- Phillips screwdriver
- 10 mm Combination wrench
- Ratchet
- 10 mm and 14 mm Sockets
- Drill
- 3 mm, 4.5 mm, 5 mm, and 8 mm Drill bits
- Torque wrench
- Hacksaw blade
- Center punch
- Felt-tip pen
- File
- Gloves
- Holesaw, 2 1/2"

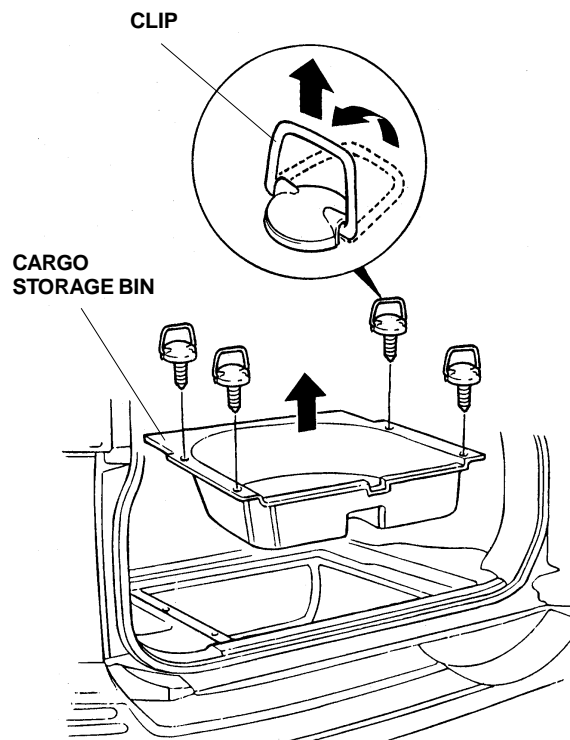
INSTALLATION

Customer Information: The information in this installation instruction is intended for use only by skilled technicians who have the proper tools, equipment, and training to correctly and safely add equipment to your vehicle. These procedures should not be attempted by "do-it-yourselfers."

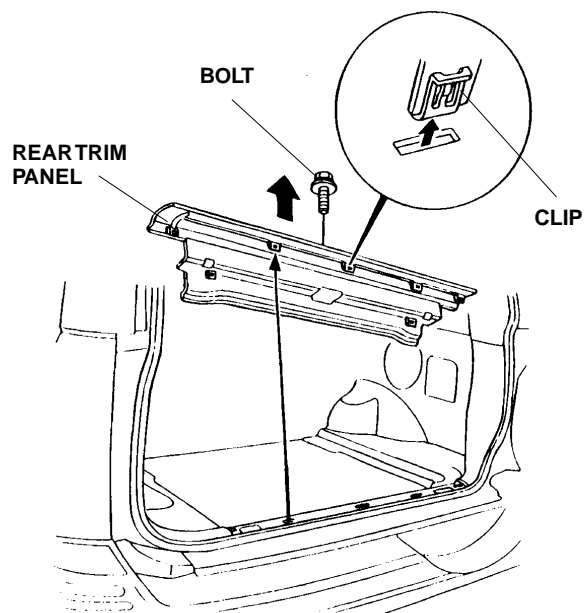
1. Open the tailgate, and tilt the rear seats forward.



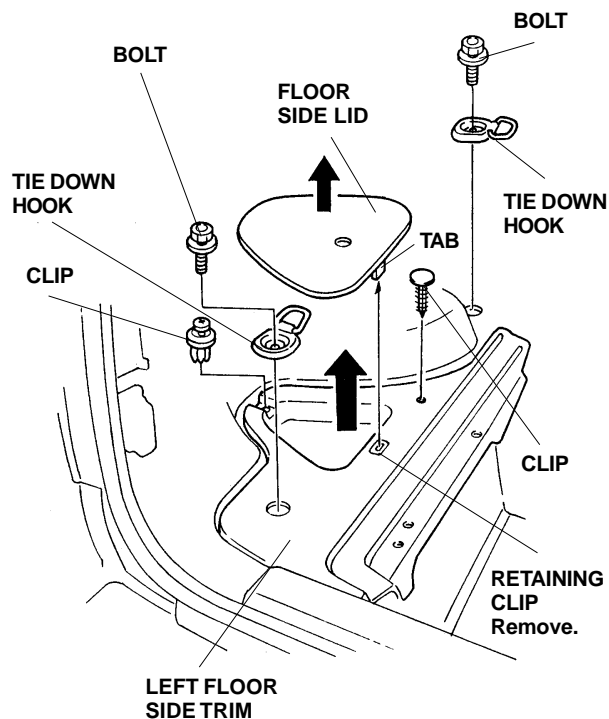
2. Inside the cargo area, turn over the cargo area mat, and remove the cargo area floor.
3. Remove the cargo storage bin (four clips, and lift out).



4. Remove the rear trim panel (one bolt and seven clips). Take care not to damage the clips.

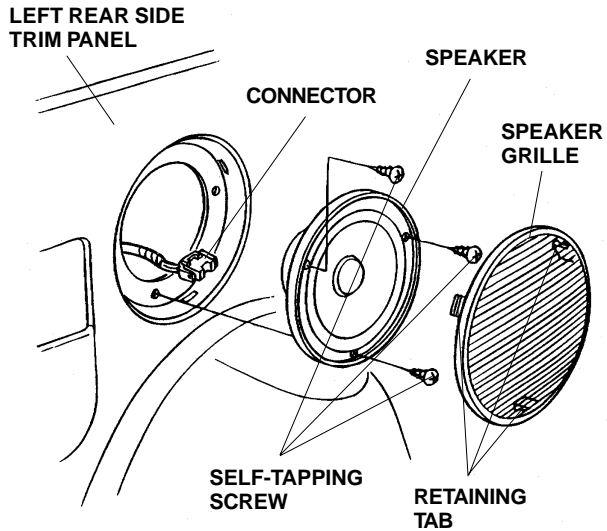


5. Lift up and remove the left floor side lid.

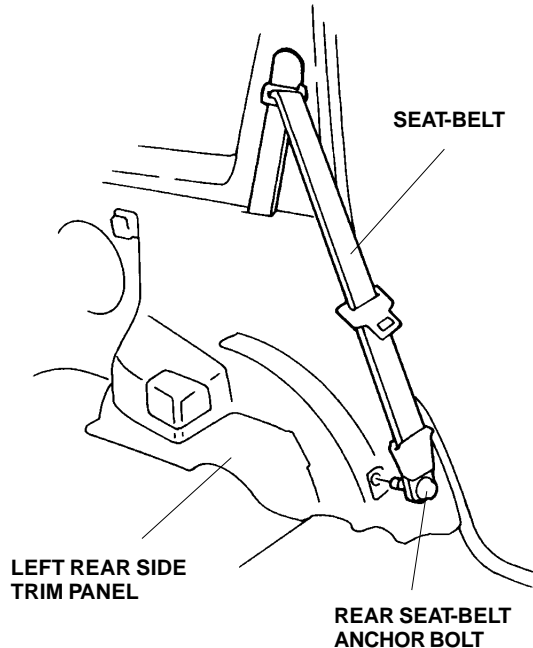


6. Remove the two tie-down hooks from the left floor side trim (one bolt for each hook).
7. Remove the left floor side trim (two clips and one retaining clip.)

8. Pry up on the left rear speaker grille to release the three retaining tabs, and remove the left speaker grille.

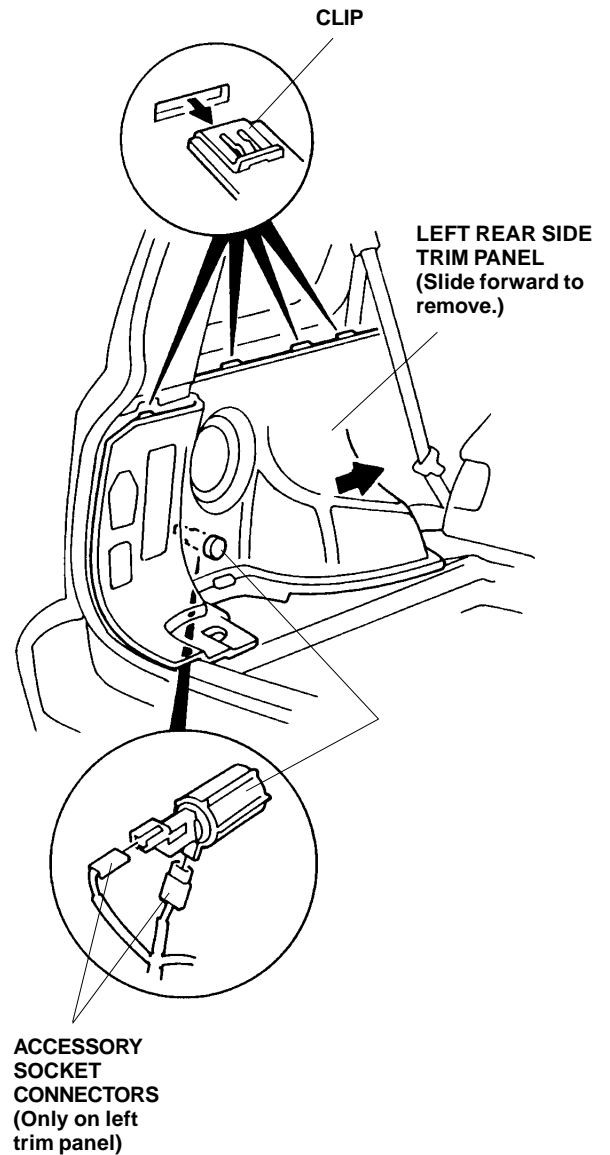


9. Remove the left rear speaker (three self-tapping screws, and unplug the connector).
10. Remove the bolt that secures the rear seat belt anchor to the left rear side trim panel.



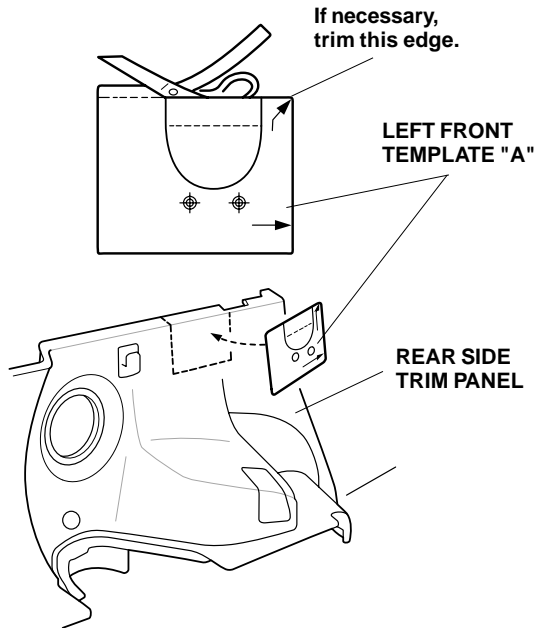
11. Remove the left rear side trim panel:

- Gently pull along the top of the trim panel to remove the four clips.
- Fold down the back of the trim panel, and unplug the two connectors from the accessory socket.
- Slide the trim panel forward, and remove it.

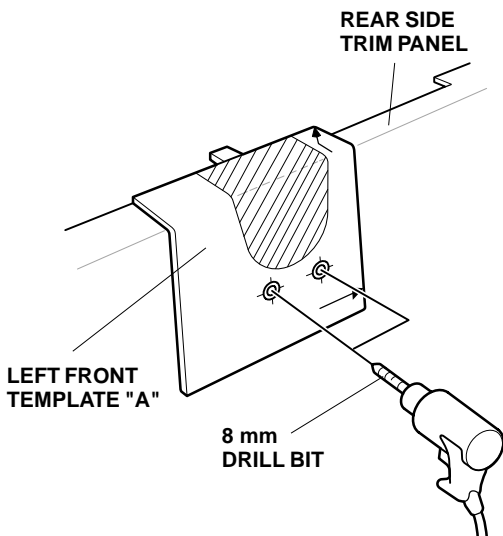


12. Repeat steps 5 through 11 to remove the right rear side trim panel. There is no accessory socket to unplug on the right side trim panel.

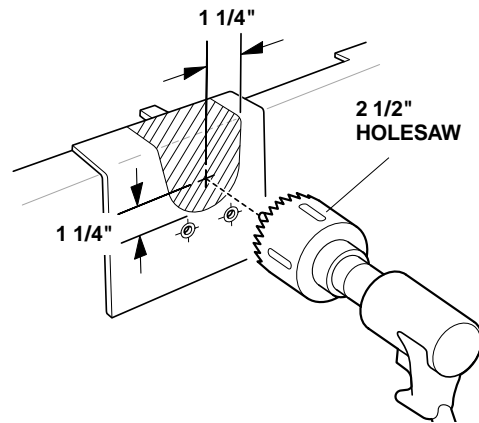
13. Get left front template "A" from the kit. If necessary, use scissors to trim the top of the template to the arrow and the line on the template.



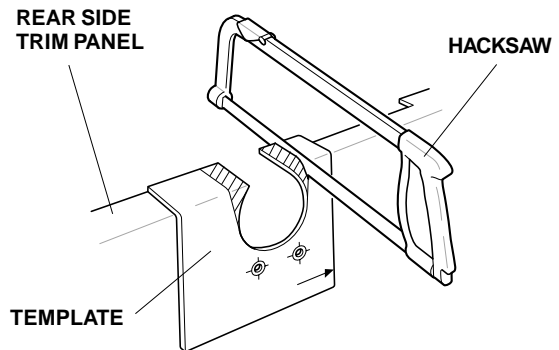
14. Remove the adhesive backing from the template, and attach it to the left rear side trim panel at the cutout for the seat belt. Make sure the arrow along the top edge is set back from the rounded corner of the side trim.
15. While wearing eye protection, drill an 8 mm hole through each of the two holes in the bottom of the template.
- Start with a 3 mm drill bit, and finish with an 8 mm drill bit.
 - Remove any burrs.



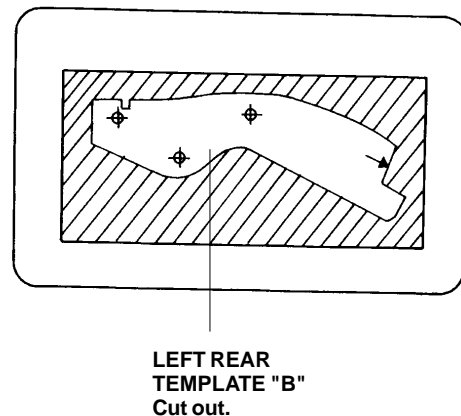
16. Using a tape measure and a felt-tip pen, measure and mark the center of the template.



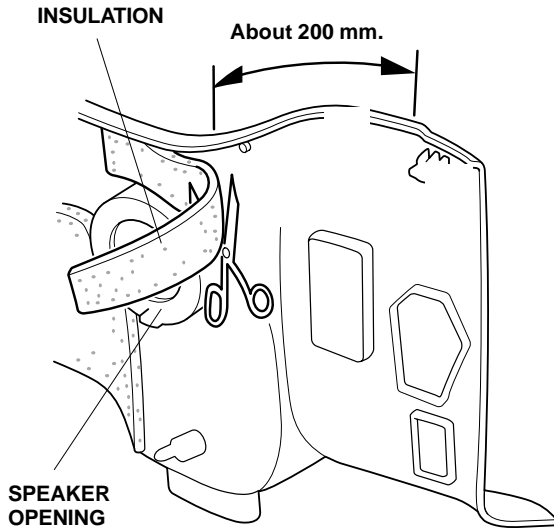
17. Using a 2 1/2" holesaw, drill a hole through the center of the template at the mark you made in step 13.
18. Using a hacksaw blade, cut out the remaining small pieces at the top of the side trim as marked on the template.



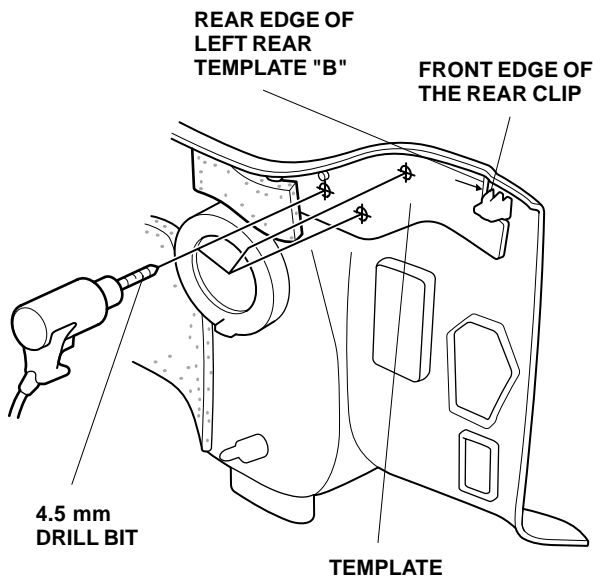
19. Repeat steps 13 through 18 to mark and drill the right rear side trim panel.
20. Get left rear template "B" from the kit. Using scissors, cut out the template.



- On the back of the left rear side trim panel above the speaker opening, locate the insulation. Using scissors, cut about 200 mm off of the insulation in the area shown.

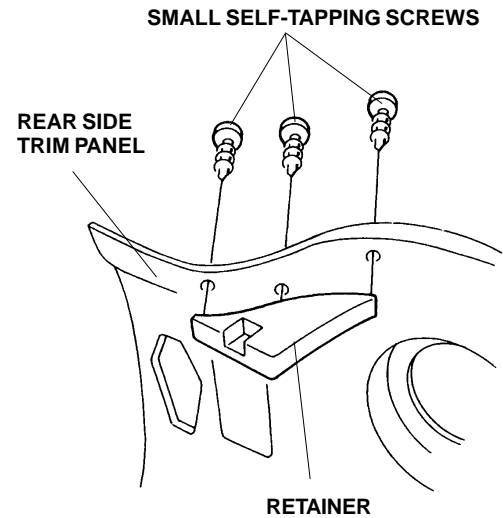


- Position left rear template "B" on the back of the left rear side trim panel, and align it with the rear clip. Remove the adhesive backing from the template, and carefully attach it to the contour of the trim panel, aligning the rear edge of the template with the front edge of the rear clip.

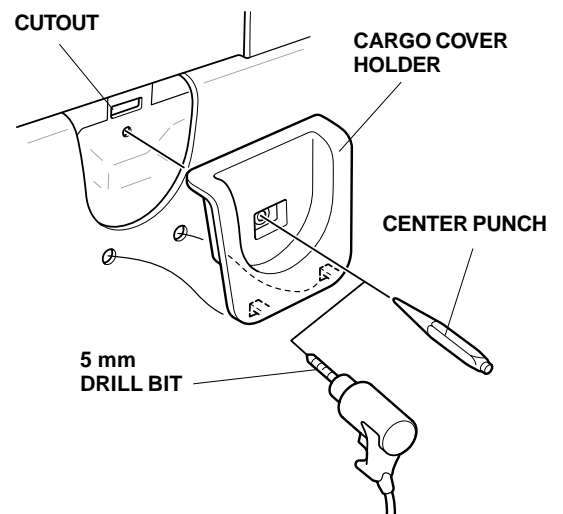


- While wearing eye protection, drill three 4.5 mm holes through the left rear side lining as indicated on the template.

- Position the retainer on the left rear side panel, and install the three small self-tapping screws.

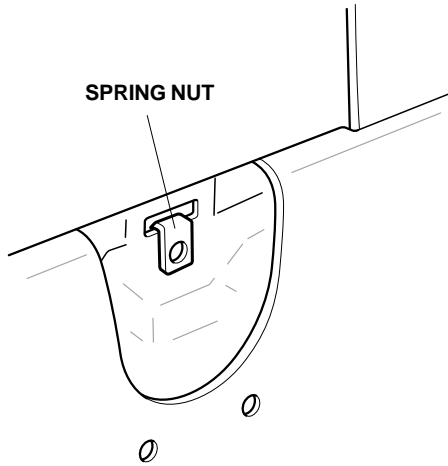


- Cut out right rear template "B," and repeat steps 20 through 24 to mount the right retainer. The insulation on the right rear side trim panel is slightly different than the left rear side trim panel; cut away only the amount of insulation needed to attach the template.
- Reinstall the right and left rear side trim panels. Torque the seat belt anchor bolts to 32 N•m (24 ft-lb).
- Position one cargo cover holder over the cutout in the left rear side lining. Using a center punch through the cargo cover screw hole, center-punch the body. Remove the cargo cover holder.



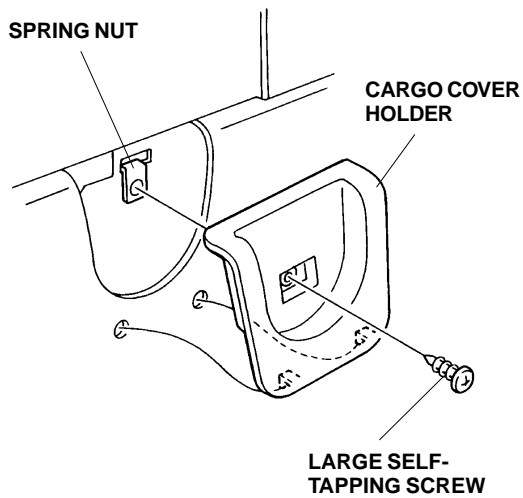
- While wearing eye protection, drill a 5 mm hole through the center-punched mark. Remove all burrs.

29. Install one spring nut over the 5 mm hole. Be careful not to drop the spring nut.

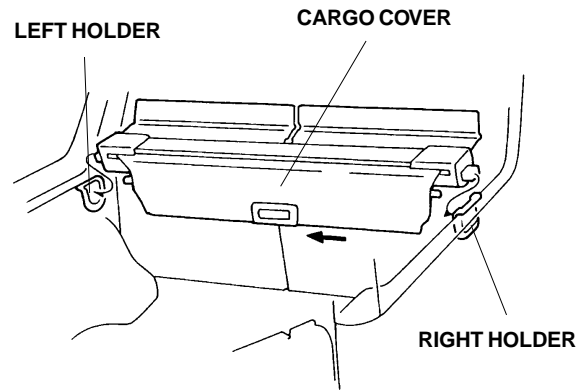


30. Repeat steps 27 through 29 on the other side of the vehicle.

31. Install the right and left cargo cover holders using one large self-tapping screw for each holder. Do not over-tighten the self-tapping screws.



32. Install the cargo cover on the right and left cargo cover holders. Start with the right side of the cover on the right holder, then install the cover on the left holder.



33. Pull out the cargo cover, and attach it to the right and left retainers.

