

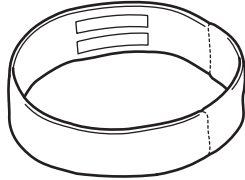


HONDA INSTALLATION INSTRUCTIONS

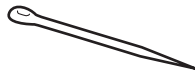
Accessory STEERING WHEEL COVER P/N 08U98-SWA-100	Application 2007 CR-V	Publications No. All 32950
		Issue Date SEP 2006

PARTS LIST

Steering wheel cover



Needle



Lacing string



TOOL AND SUPPLIES REQUIRED

Isopropyl alcohol

Shop towel

Gloves

Masking tape

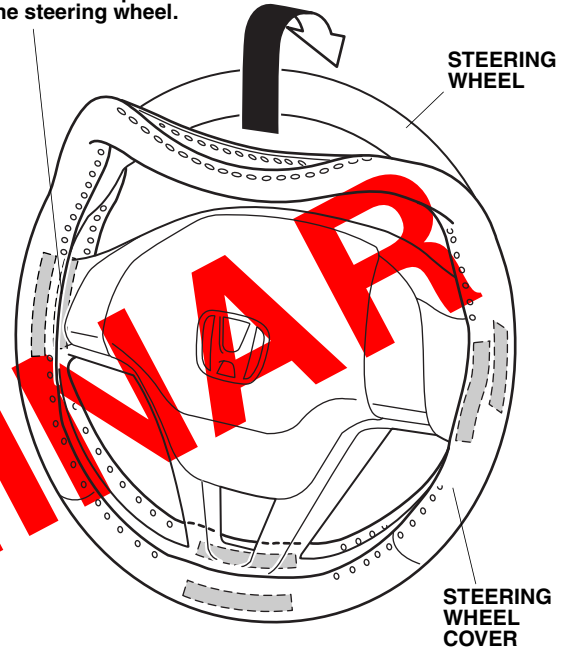
INSTALLATION

NOTE

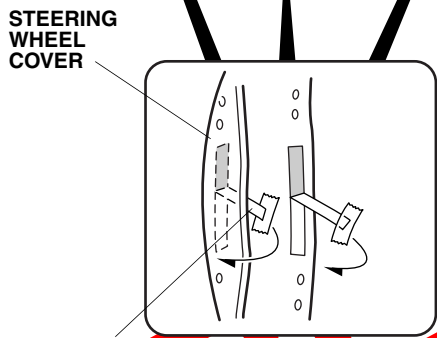
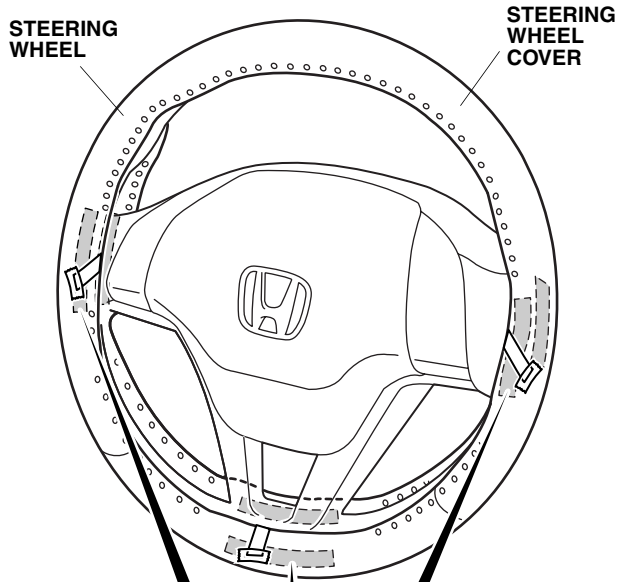
- Using isopropyl alcohol on a shop towel, thoroughly clean the steering wheel before installing the wheel cover.
- You may want to wear gloves to protect your hands during installation.

1. Place the wheel cover over the steering wheel with the unpierced sections of the wheel cover lined up with the spokes of the steering wheel as shown.

Align the unpierced sections of the wheel cover with the spokes of the steering wheel.

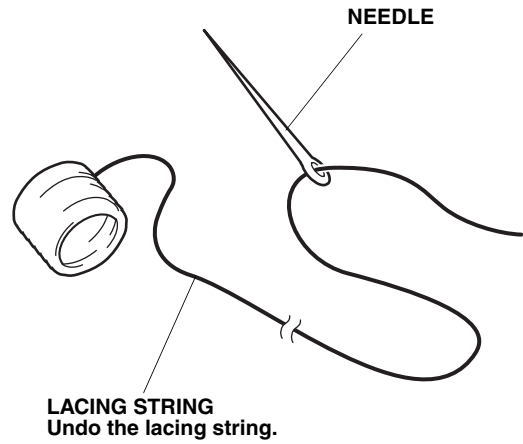


- Turn over the steering wheel cover. Peel back the adhesive backings shown, and temporarily attach them to the front of the steering wheel cover with masking tape.

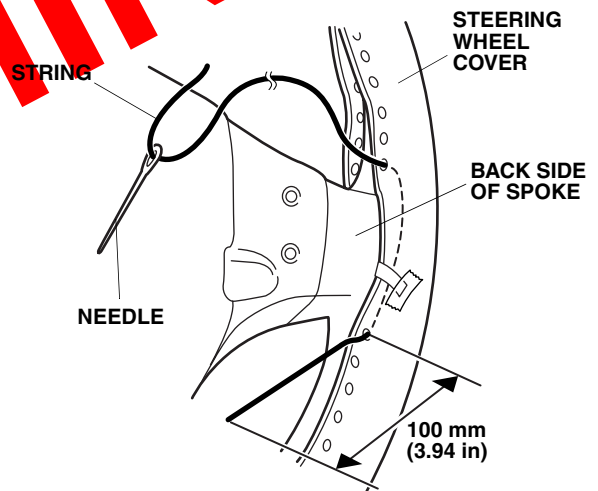


ADHESIVE BACKINGS (6)
Peel back the adhesive backings and temporarily attach them to the front of the steering wheel cover with masking tape.

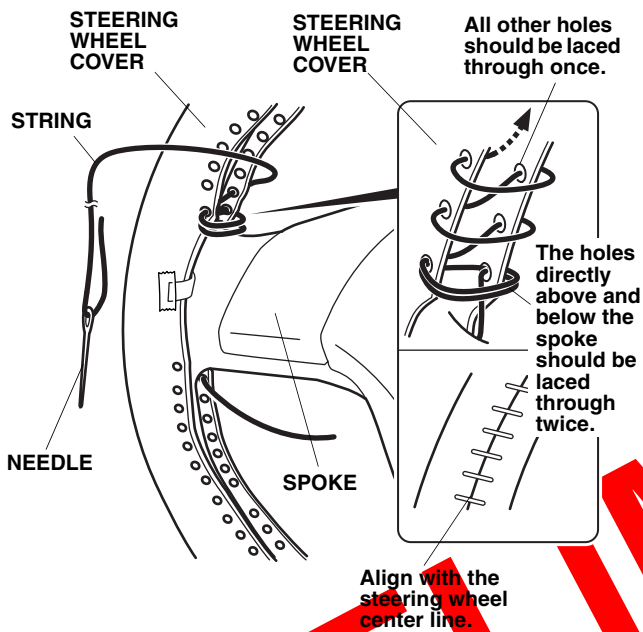
- Thread the lacing needle as shown.



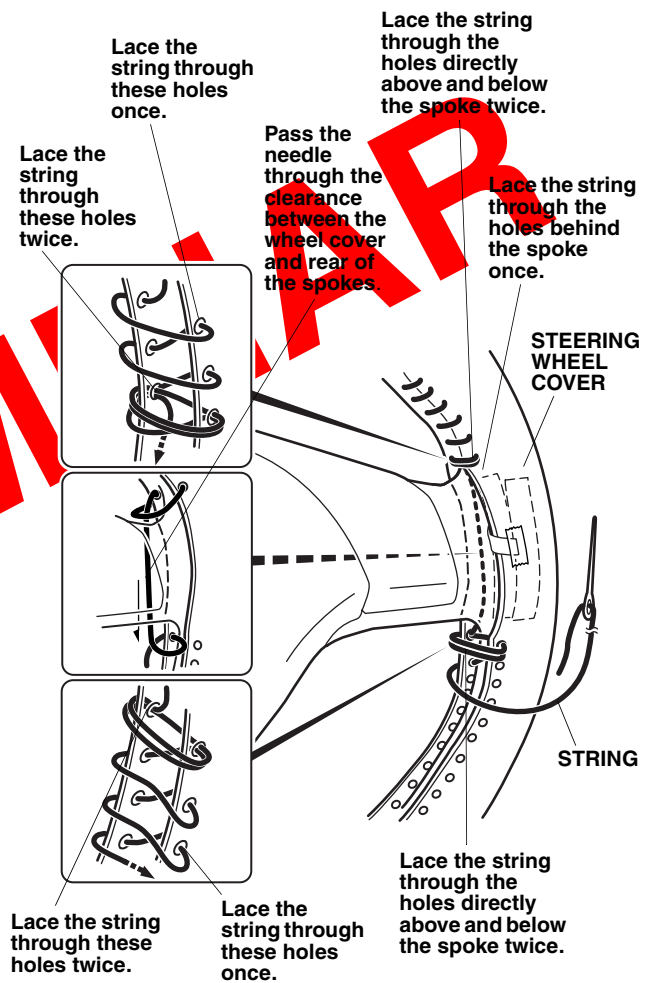
- Lace the string through the holes of the steering wheel cover from the inside.
 - Leave approx. 100 mm (3.94 in.) of string at the end. This will be used to tie the string at the end.



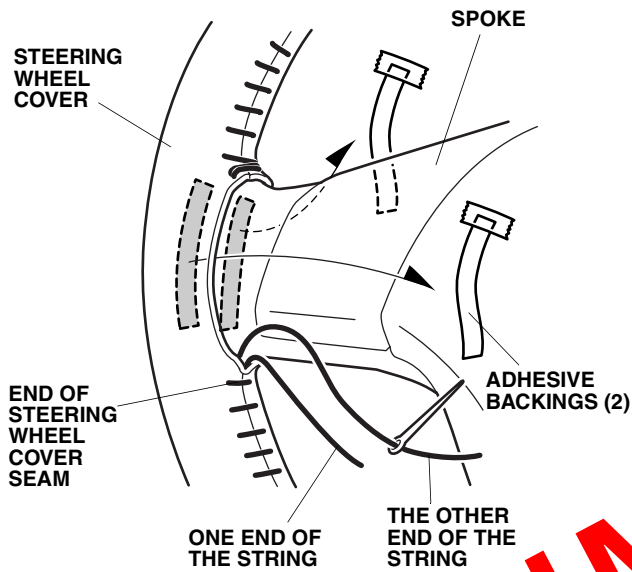
5. Tightly lace the string twice through the holes directly above the spoke as shown.
6. Continue to lace the string once through each hole as shown, making sure to remove the slack each time you lace the string through a hole.
 - Do not try to tighten the steering wheel cover after lacing the string through several holes. This will not provide secure lacing.
 - Lace up the steering wheel cover so the seam aligns with the center line on the inside of the steering wheel.



7. Lace the string twice through the holes directly above the spoke as shown.
8. Lace the string through the holes behind the spoke once as shown, making sure not to skip any holes.
9. At the spokes, pass the needle through the clearance between the wheel cover and rear of the spokes.
10. Lace the string twice through the holes directly below the spoke as shown.
11. Continue to lace the string once through each hole as shown.
12. Remove the adhesive backing from the right side and under side of the steering wheel cover.



13. After lacing up the entire steering wheel cover, pull the string out at the end of the steering wheel cover seam. Be sure that both ends of the string are equal in length.
14. Remove the adhesive backings from the left side of the steering wheel cover.
15. Tie the ends of the string together twice securely. Cut off the excess string after the knot.
16. Put the knot inside the steering wheel cover.



PRELIMINARY