


HONDA

TONNEAU COVER

'07 → CR-V

USER'S INFORMATION

- We provide many important safety messages in this manual. For your safety and safety of others, pay special attention to all warnings preceded by this alert symbol . Failure to follow the warnings contained in this manual can result in serious injury or accident.



DANGER

- Indicates that severe personal injury or death will result if instructions are not followed. (Not applicable)



WARNING

- Indicates a strong possibility that serious injury or death may result if instructions are not followed. (Not applicable)



CAUTION

- Indicates a possibility that personal injury may result if instructions are not followed.

OTHER SYMBOLS

- If instructions are preceded by the following symbols, they will give helpful advice or information.



ADVICE

- Gives advice to prevent damage to the product.
- Gives advice to handle emergency situation.

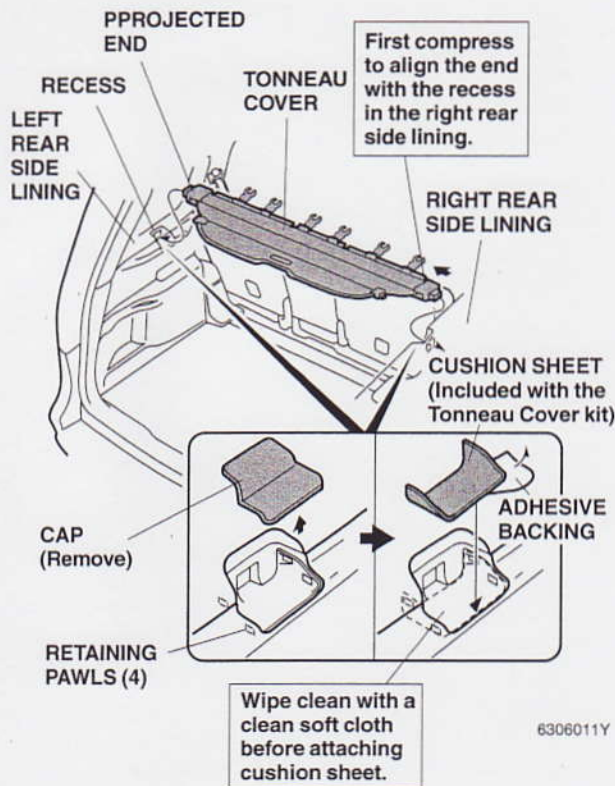


INFORMATION

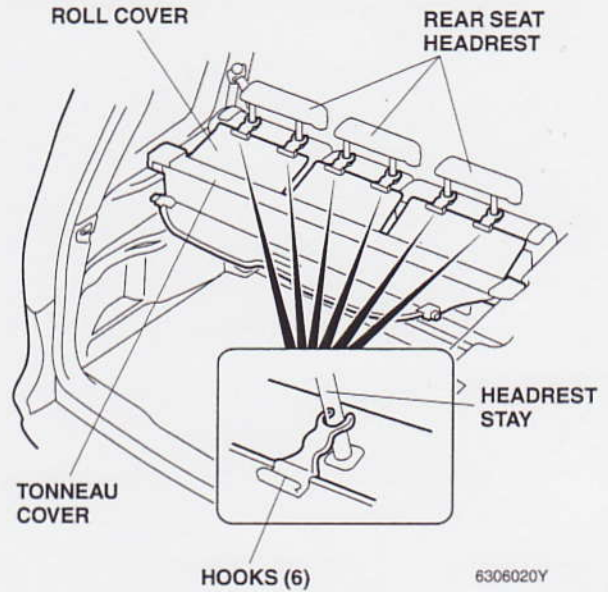
Gives helpful information or instructions to be followed in using the product.

INSTALLING THE TONNEAU COVER

1. Open the tailgate. Using a flat-tip screwdriver, remove the caps from the right and left rear side linings.
2. Using a clean, soft cloth, thoroughly clean the areas where the caps were removed, then attach a cushion sheet from the kit on each side.
 - Remove the adhesive backings from the cushion sheet and attach the cushion sheet to the right and left rear side linings where the caps were removed as described.
3. Insert the left projected end of the tonneau cover into the recess in the left rear side lining, then insert the right projected end into the recess in the right rear side lining by first compressing the tonneau cover to align that end with the recess in the right rear side lining.



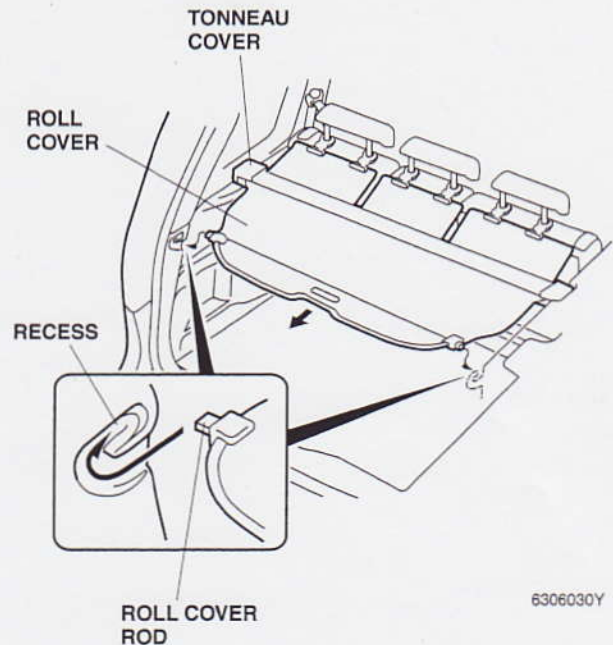
4. Attach the six front roll cover hooks to the rear seat headrest stays as shown.



INFORMATION

The right and left roll covers can be used independently of each other.

5. Slide both ends of the rear roll cover rod into the recesses in the rear side lining.

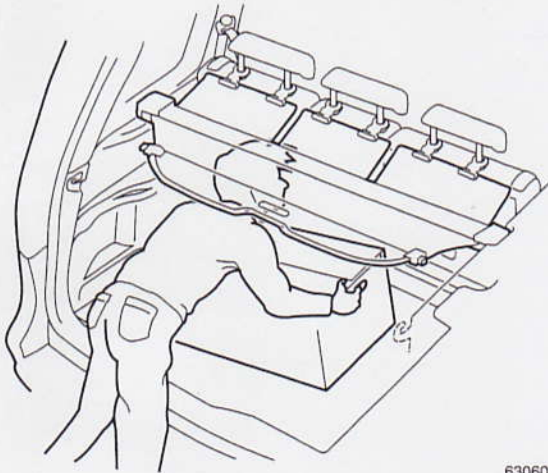


USE AND CARE



CAUTION

- Before starting to drive, check that there is no one under the tonneau cover.
- Do not roll out or store the tonneau cover while the car is in motion.
- The tonneau cover will be rolled back quickly when the hand is released from it. When storing, do not release your hand from the tonneau cover until it is rolled in completely. Do not sit in the rear seat facing the rear with your face or hand thrust. The tonneau cover may hit your thrust face or hand when stored.
- Do not roll out or store the tonneau cover while someone is working in the trunk room.
- Do not hit your head against the tonneau cover when working in the trunk room.



6306040Y



ADVICE

- Do not get on the tonneau cover.
- The front roll cover cannot be used when the rear seat is stored.
- Do not place cargo on the front and rear roll covers.
- Do not impart undue strain to the tonneau cover.
- Do not hang anything from the roll cover hooks.