

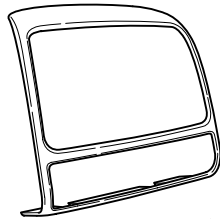


# INSTALLATION INSTRUCTIONS

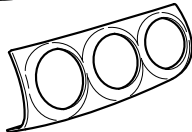
Accessory <b>INTERIOR WOOD TRIM KIT</b> P/N 08Z03-S9A-100 (WOOD) P/N 08Z03-S9A-100A (METAL)	Application  <b>CR-V</b>	Publications No. <b>All 23080</b>
		Issue Date <b>NOV 2001</b>

## PARTS LIST

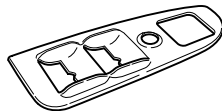
Center trim



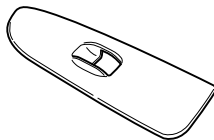
Heater control panel trim



Driver's front door switch trim



Passenger's front door switch trim



Driver's side rear door switch trim



Passenger's side rear door switch trim



Driver's side air outlet trim



Passenger's side air outlet trim



## SUPPLIES REQUIRED

- Isopropyl alcohol
- Shop towel
- Masking tape

## INSTALLATION

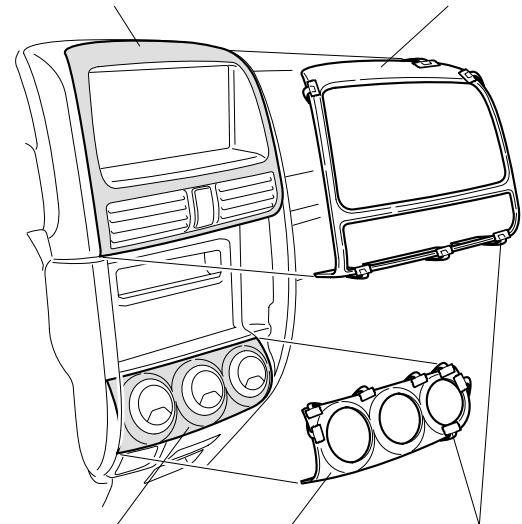
### NOTE:

- Be careful not to damage the body paint finish.
  - This interior wood trim kit should be installed only if the outside air temperature is 65°F (15°C) or above.
1. Using an isopropyl alcohol on a shop towel, thoroughly clean the areas where the interior trims will attach.
  2. Attach a strip of masking tape to the end of each outer adhesive backing, and remove 2 to 3 inches of the adhesive backing. Fold the ends back, and tape them to the front of the trims. Remove and discard the inner adhesive backings.
  3. Position the interior trims on the existing panels. While applying light pressure on the inner panels, carefully remove the adhesive backings from the interior trims.
  4. After installing the trims use the palm of your hand to hold pressure against it for 30 seconds.

### Center Trim/Heater Control Panel Trim:

**CENTER TRIM ATTACHING SURFACE**

**CENTER TRIM**



**HEATER CONTROL PANEL TRIM ATTACHING SURFACE**

**HEATER CONTROL PANEL TRIM**

**OUTER ADHESIVE BACKINGS**

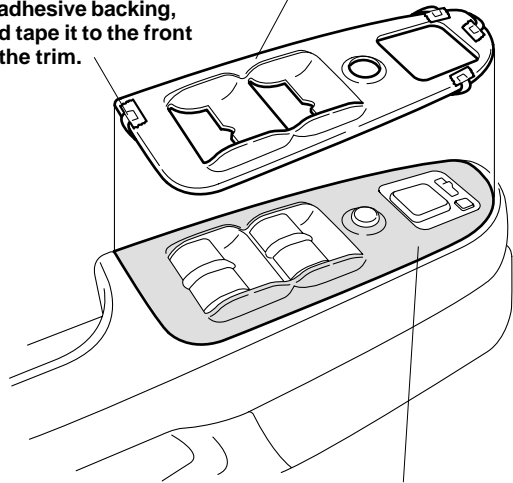
Remove 2 to 3 inches of adhesive backing, and tape it to the front of the trim.

### Left Front Switch Trim:

#### OUTER ADHESIVE BACKING

Remove 2 to 3 inches of adhesive backing, and tape it to the front of the trim.

#### DRIVER'S FRONT DOOR SWITCHTRIM



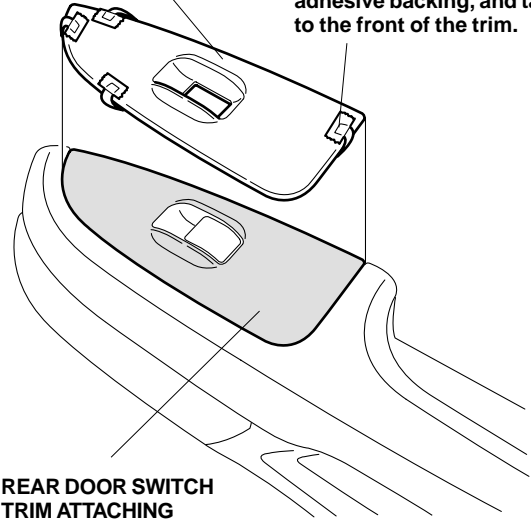
#### DRIVER'S FRONT DOOR SWITCHTRIM ATTACHING SURFACE

### Right and Left Rear Switch Trims:

#### REAR DOOR SWITCHTRIM

#### OUTER ADHESIVE BACKING

Remove 2 to 3 inches of adhesive backing, and tape it to the front of the trim.



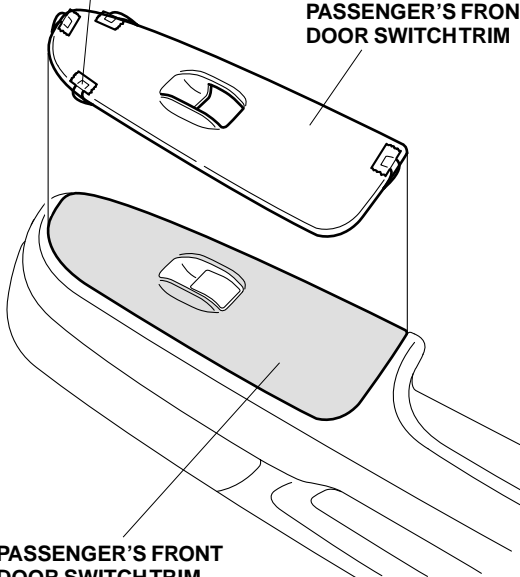
#### REAR DOOR SWITCH TRIM ATTACHING SURFACE

### Right Front Switch Trim:

#### OUTER ADHESIVE BACKING

Remove 2 to 3 inches of adhesive backing, and tape it to the front of the trim.

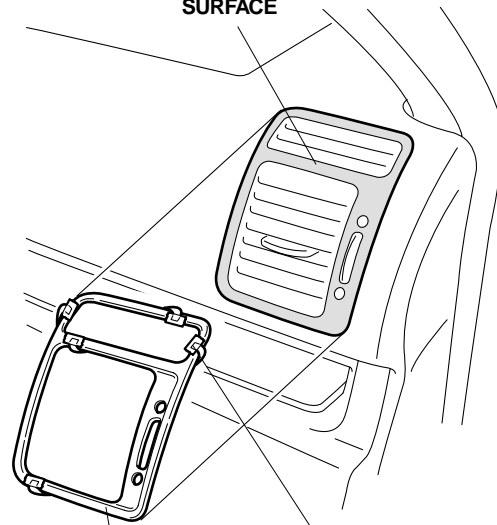
#### PASSENGER'S FRONT DOOR SWITCHTRIM



#### PASSENGER'S FRONT DOOR SWITCHTRIM ATTACHING SURFACE

### Right and Left Air Outlet Trims:

#### AIR OUTLET TRIM ATTACHING SURFACE



#### AIR OUTLET TRIM

#### OUTER ADHESIVE BACKING

Remove 2 to 3 inches of adhesive backing, and tape it to the front of the trim.

### USE AND CARE

Use a sponge or soft cloth dampened with mild detergent and water solution. After cleaning, wipe with a clean, soft cloth. Do not use cleaners or polishers containing compounds to clean the interior trims as they may damage the surface.