



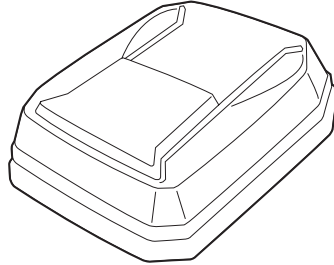
# INSTALLATION INSTRUCTIONS

Accessory	Application	Publications No.
SUBWOOFER KIT	CR-V	All 26144
		Issue Date SEP 2003

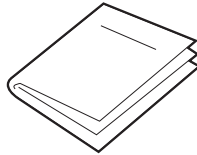
## PARTS LIST

**Subwoofer Kit :**  
P/N: 08A39-EP7-100

Subwoofer

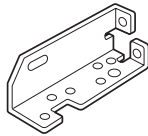


Owner's Manual

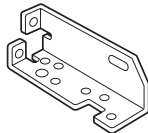


**Subwoofer Attachment Kit :**  
P/N: 08B39-S9A-100

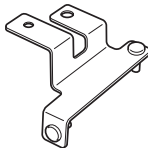
Right side bracket



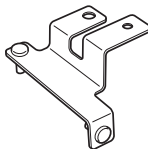
Left side bracket



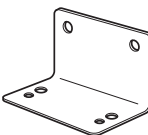
Right base bracket



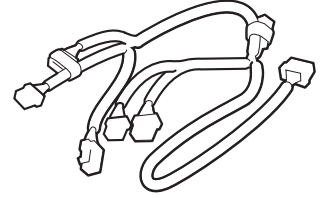
Left base bracket



2 Subwoofer brackets



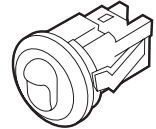
Subwoofer harness



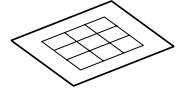
4 Washer-bolts, 6 x 16 mm



Switch



Fuse label



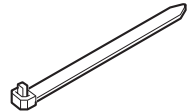
4 Flange nuts, 6 mm



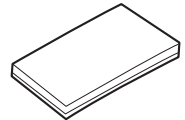
4 Flange nuts, 5 mm



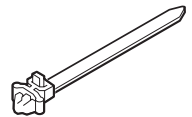
15 Wire ties



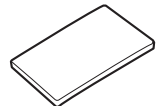
3 EPT sealers



Wire tie with clip



3 Cushion tapes



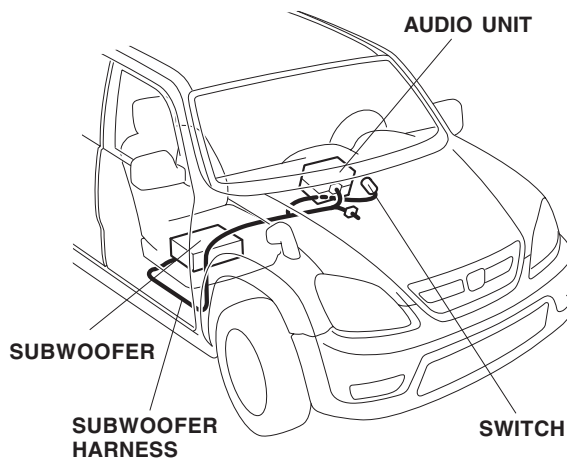
4 Washer-screws, 5 x 12 mm



## TOOLS AND SUPPLIES REQUIRED

#2 Phillips screwdriver  
Flat-tip screwdriver  
Stubby Phillips screwdriver  
Utility knife  
Tape measure  
Isopropyl alcohol  
10 mm Socket  
Ratchet  
14 mm Combination wrench  
Shop towel  
Drill  
3 mm Drill bit  
20 mm Hole saw  
Center punch

## Illustration of the Subwoofer Installed on the Vehicle



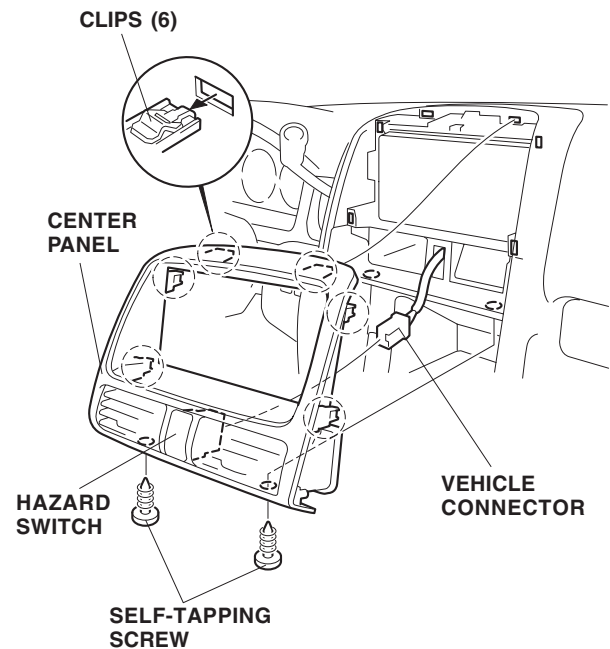
## INSTALLATION

**Customer Information:** The information in this installation instruction is intended for use only by skilled technicians who have the proper tools, equipment, and training to correctly and safely add equipment to your vehicle. These procedures should not be attempted by “do-it-yourselfers.”

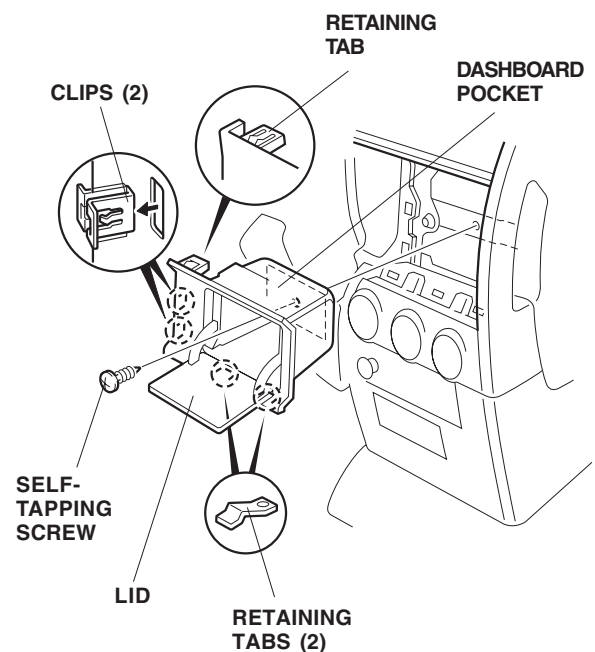
**NOTE:** The subwoofer cannot be installed if the vehicle is equipped with an optional CD changer.

1. Make sure you have the anti-theft code for the radio, then write down radio station presets.
2. Disconnect the negative cable from the battery.

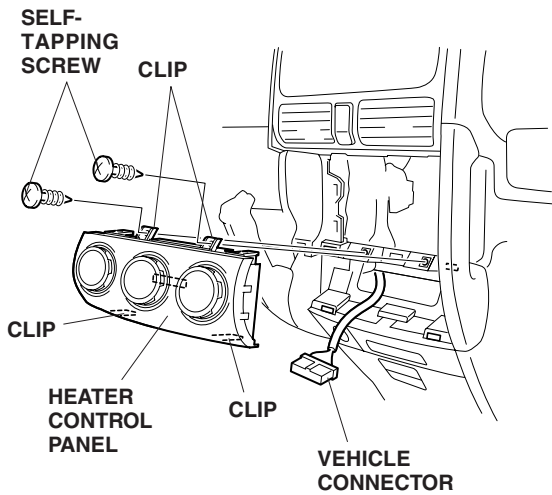
3. Remove the two self-tapping screws that fasten the bottom of the center panel.



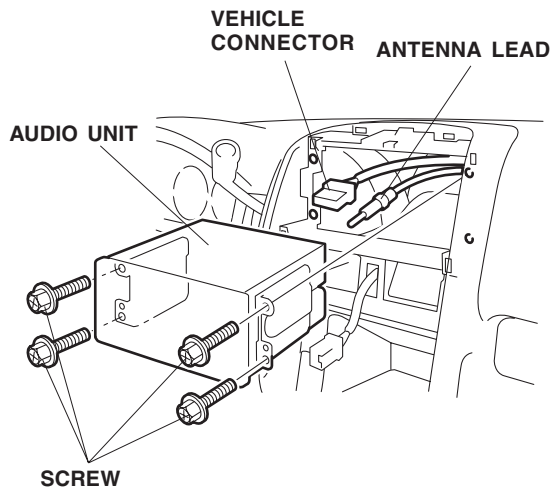
4. Pull the dashboard pocket out toward you to release the six clips, unplug the vehicle connector from the hazard switch, and remove the center panel. Take care not to damage the clips.
5. Remove the one self-tapping screw that secures the center pocket then; pull out on the center pocket to release the two clips and three retaining tabs).



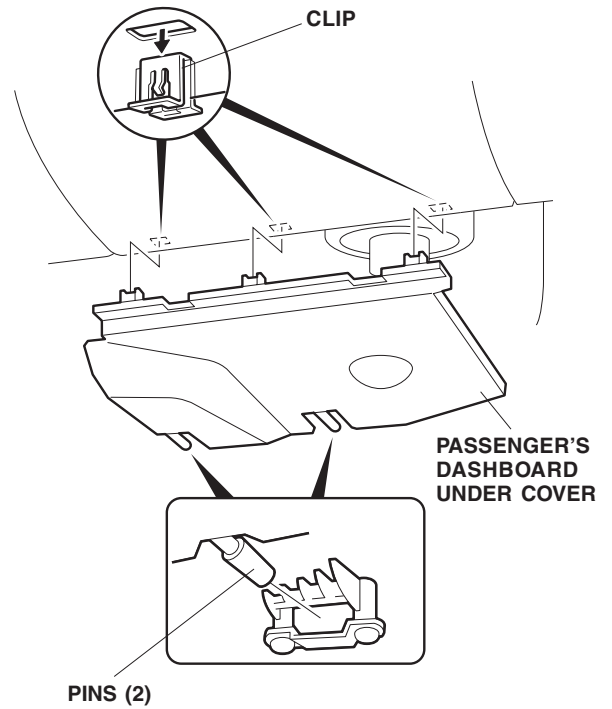
- Remove the two self-tapping screws that fasten the heater control panel to the instrument panel.



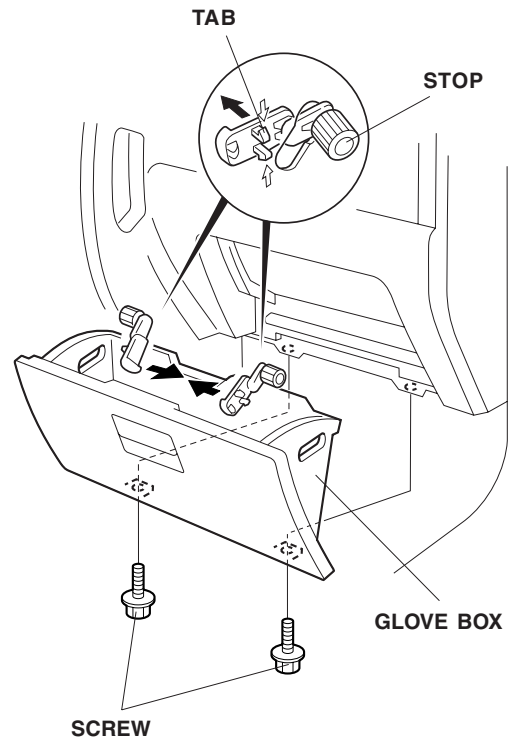
- Pull the heater control panel out toward you to release the four clips. Unplug the vehicle connector from the heater control panel and remove the panel. Take care not to damage the clips.
- Remove the four self-tapping screws that fasten the audio unit to the dashboard. Remove the audio unit by pulling it out toward you; unplug the vehicle connector and the antenna lead.



- Remove the passenger's dashboard under cover (release the three clips and two pins).



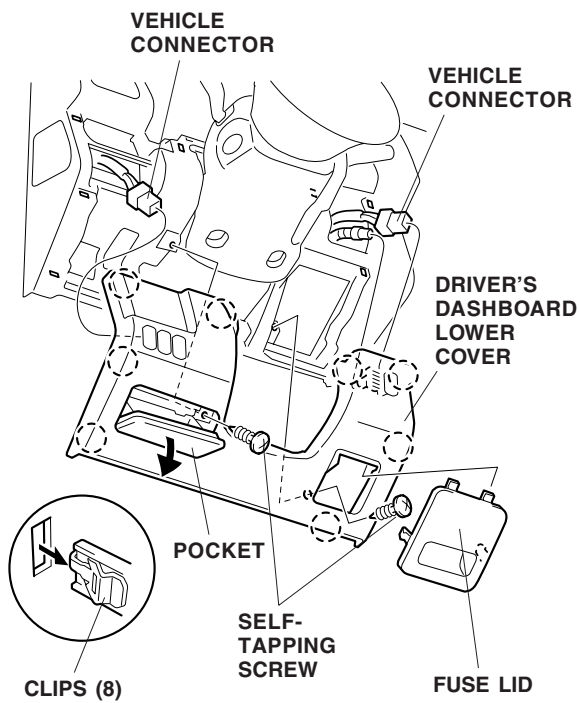
- Open the glove box. Release the right and left stops.



- Remove the two screws from the bottom of the glove box, and remove the glove box.

12. Remove the driver's dashboard lower cover:

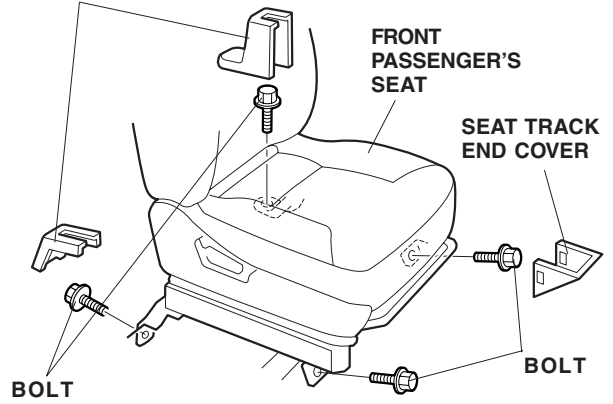
- Remove the fuse lid, and open the pocket.
- Remove the two self-tapping screws.
- Gently pull out on the dashboard lower cover to release the eight clips, unplug the two vehicle connectors, and remove the lower cover.



13. Remove the three seat track end covers from the right, then remove the four bolts that secure the front passenger's seat.

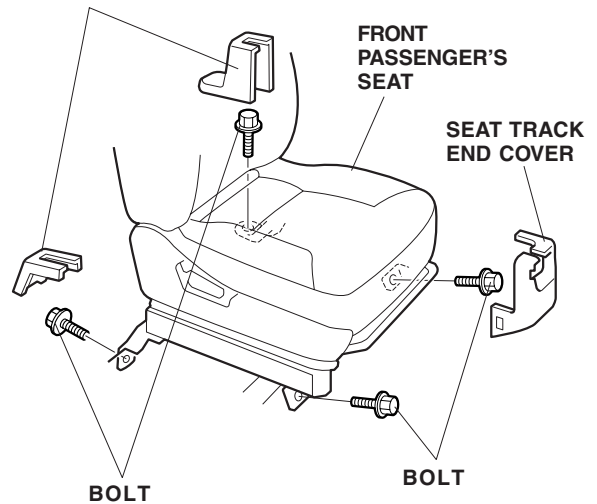
*M/T Vehicle:*

SEAT TRACK END COVER

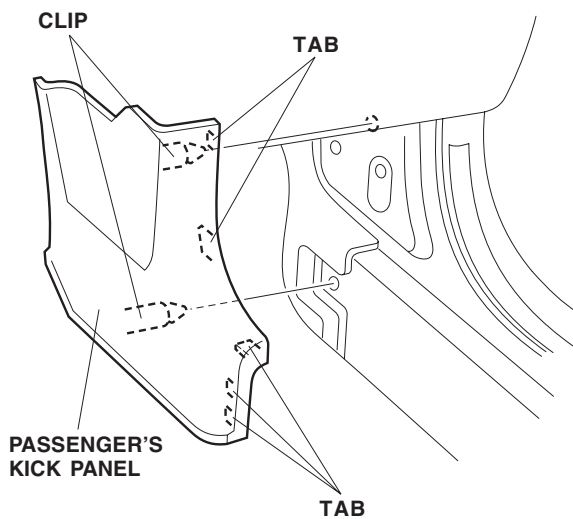


*A/T Vehicle:*

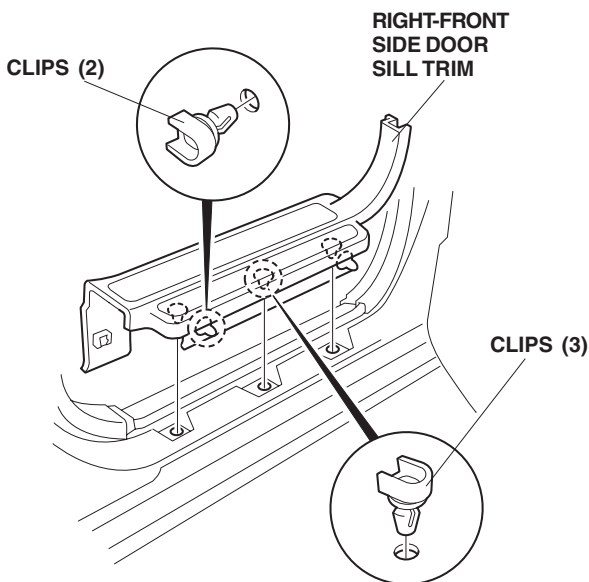
SEAT TRACK END COVER



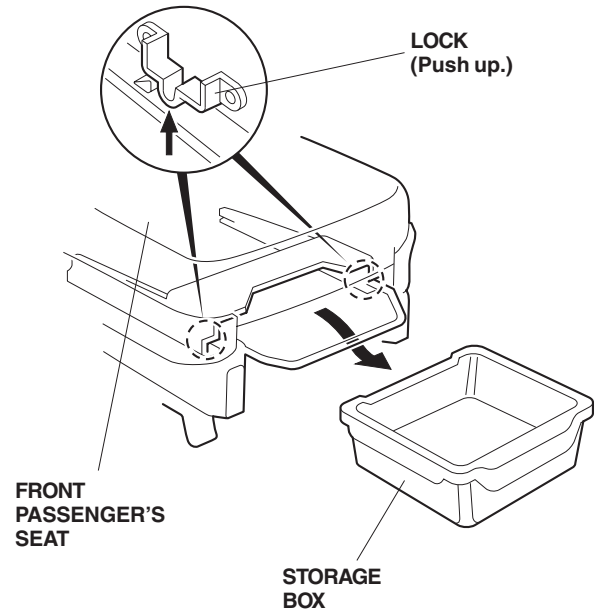
- Remove the passenger's kick panel by pulling it out toward you to release the two clips, and then back to release the five tabs. Take care not to damage the clips.



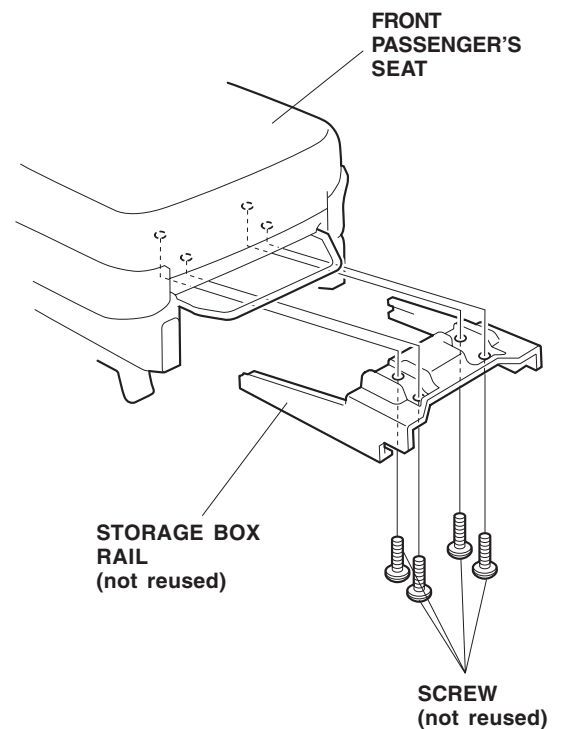
- Gently slide the front passenger's seat toward the center of the vehicle. Be careful not to apply tension to the SRS harness.
- Reach inside the vehicle, and pull out on the bottom of the right-front door sill trim to release the two clips; then lift it up to release the three clips; then remove the door sill trim.



- Tilt the front passenger's seat backwards.



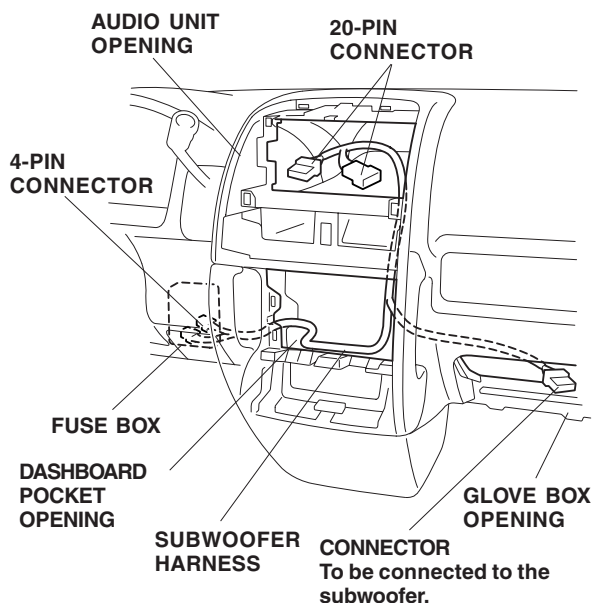
- Push up on the locks, and slide out the storage box.
- Remove the four screws that fasten the storage box rail. Set the storage box and rail aside; they will not be reused.



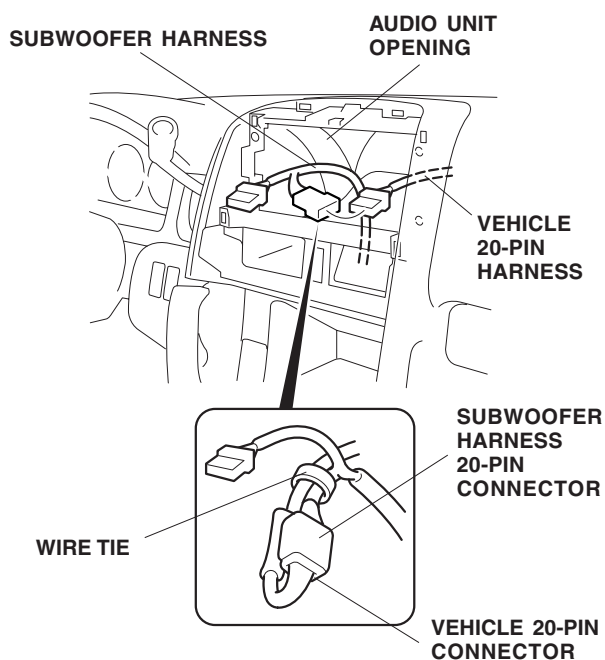
## Routing the Subwoofer Harness

20. Route the subwoofer harness:

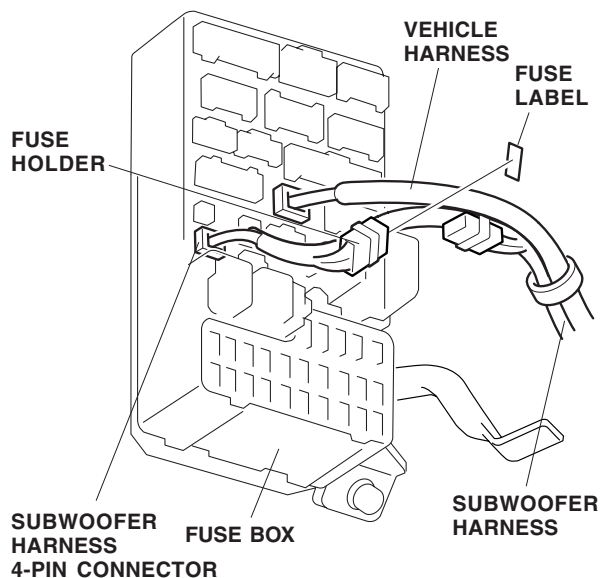
- Route the 20-pin connector up to the audio unit opening in the dashboard.
- Route the 4-pin connector to the front of the fuse box.
- Route the connector (to be connected to the subwoofer) through the glove box opening.



21. At the audio unit opening, connect the subwoofer harness 20-pin connector to the vehicle 20-pin connector, then secure the harnesses with one wire tie in the area shown.



22. Attach the fuse label ("OPTION 7.5A") to the fuse holder on the subwoofer harness.

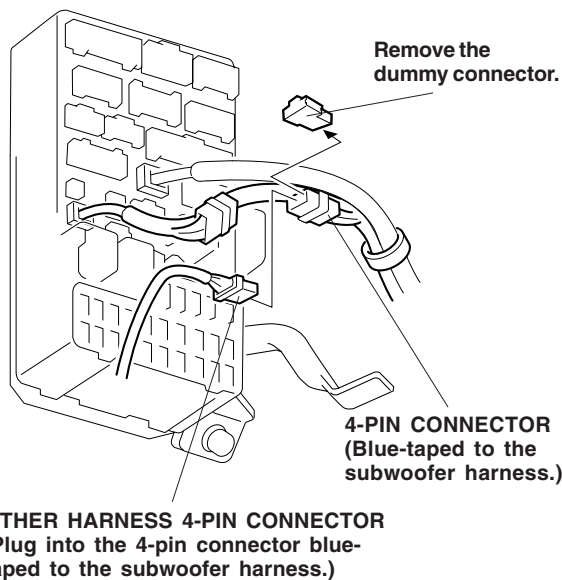


23. Plug the subwoofer harness 4-pin connector into the fuse box 4-pin connector.

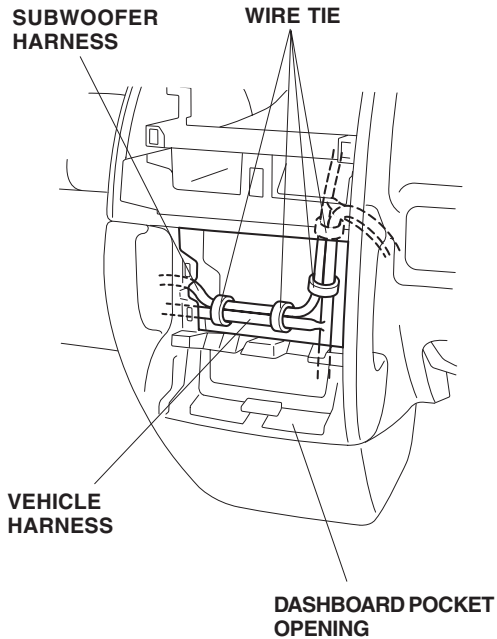
24. Secure the subwoofer harness to the vehicle harness with one wire tie.

*If another accessory connector is already plugged into the fuse box:*

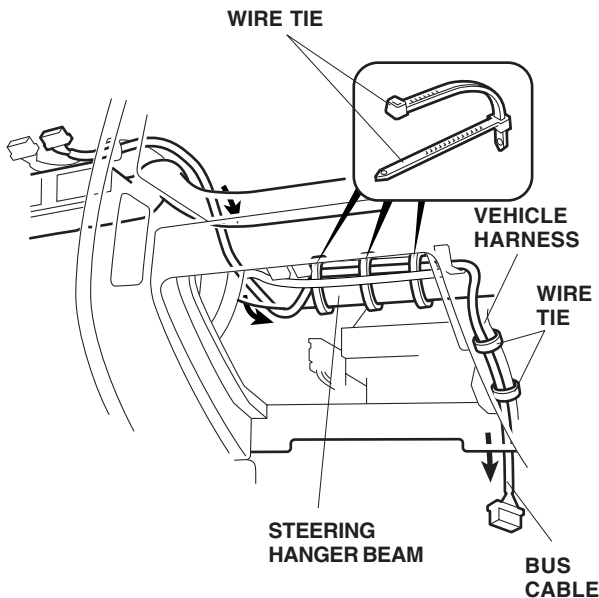
- Unplug the 4-pin connector from the fuse box, and plug the 4-pin connector of the subwoofer harness into the fuse box.
- Remove the dummy connector from the 4-pin connector blue-taped to the subwoofer harness, and plug the other accessory into 4-pin connector where the dummy connector was removed.



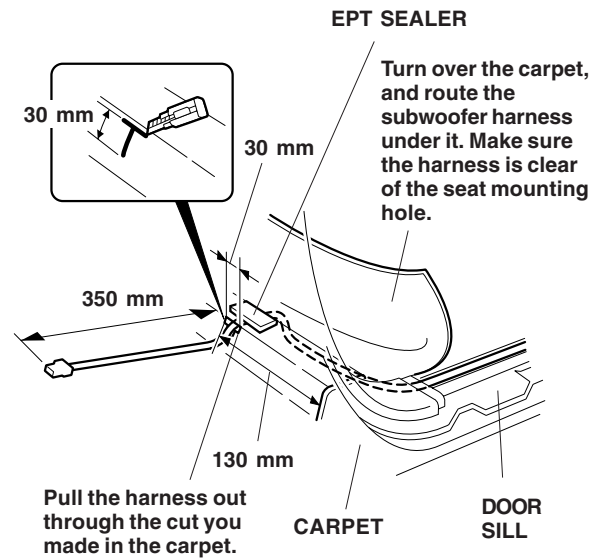
25. At the dashboard pocket opening, secure the subwoofer harness to the vehicle harness with four wire ties in the areas shown.



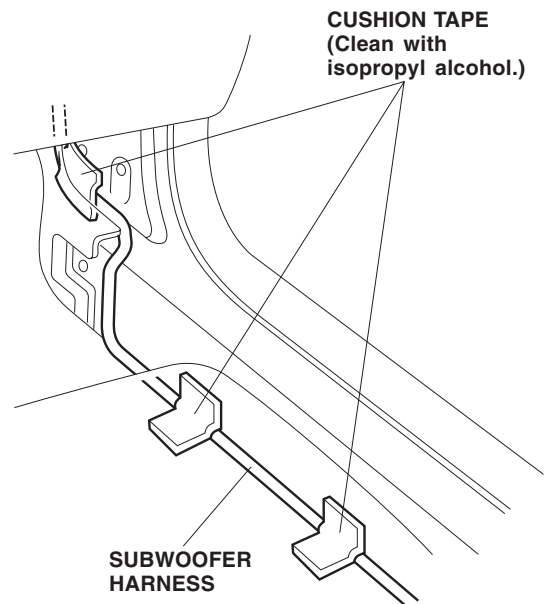
26. Route the subwoofer harness to the glove box opening, and secure it to the vehicle harness and the steering hanger beam with five wire ties in the areas shown.



27. Under the front passenger's seat, measure and mark the carpet at the cross member as shown. Using a utility knife, make a cut in the carpet as indicated by the mark. Be careful not to damage the vehicle harnesses routed under the floor carpet.

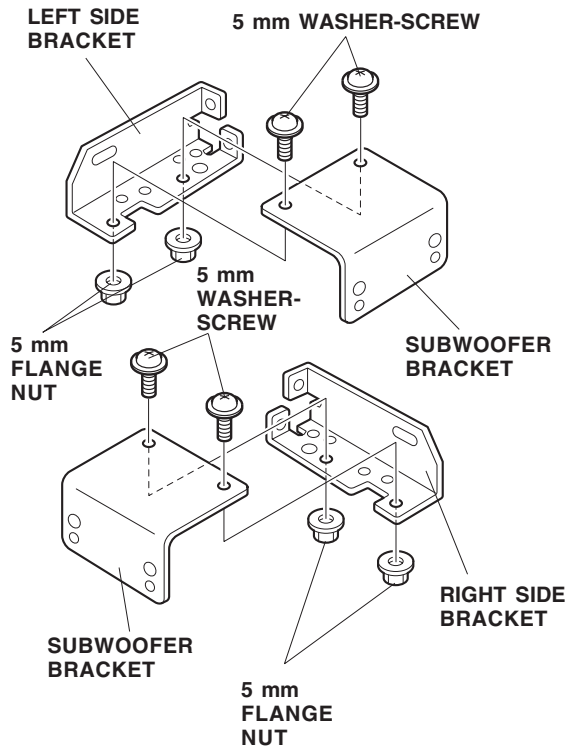


28. Turn over the carpet, and route the subwoofer harness under it and out through the cut you made in the carpet; leave about 350 mm of harness sticking out.
29. Secure the subwoofer harness to the cross member with one EPT sealer.
30. Use isopropyl alcohol on a shop towel to clean the areas where the cushion tapes will attach. Secure the subwoofer harness to the side of the door sill with three cushion tapes.

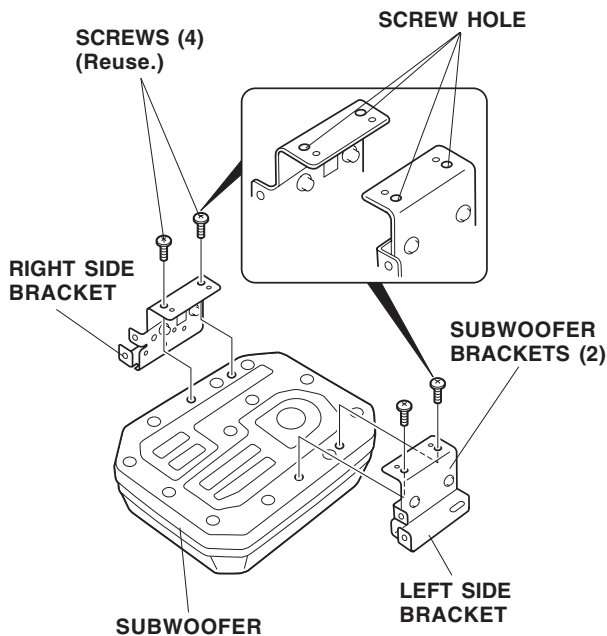


## Installing the Subwoofer

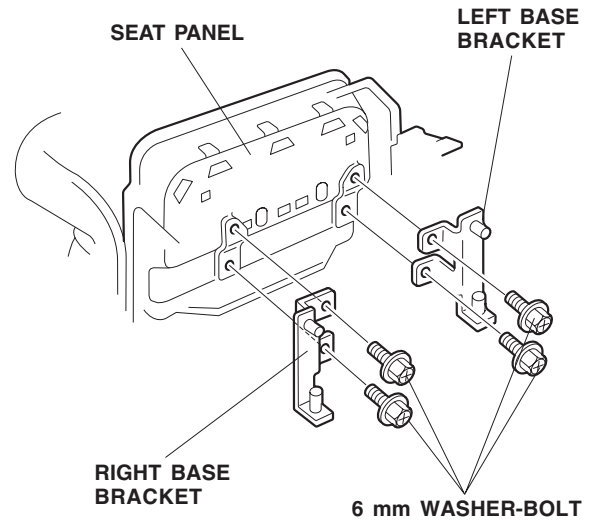
31. Position the right and left side brackets on the subwoofer brackets, and install the four 5 mm flange nuts and four washer-screws.



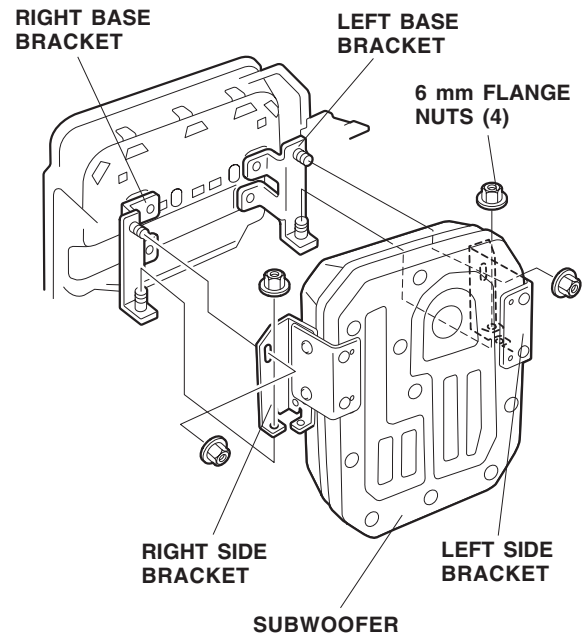
32. Remove the four screws from the subwoofer, and install the subwoofer brackets to the subwoofer with these screws.



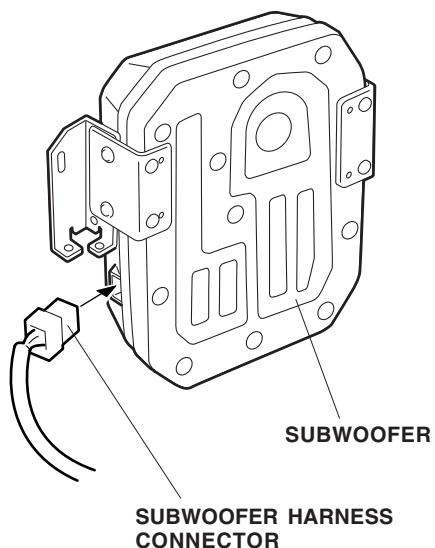
33. Position the right and left base brackets on the seat panel under the passenger's seat, and install the four 6 mm washer-bolts.



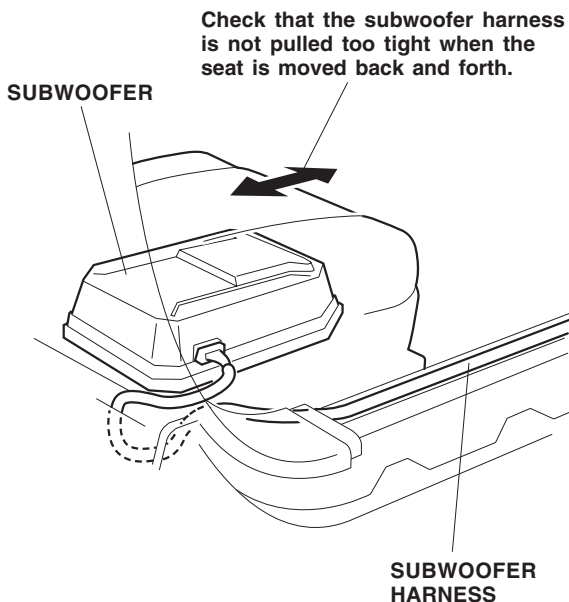
34. Insert the studs of the base brackets into the holes in the side brackets. Install a 6 mm flange nut on the end of each stud, and tighten them securely.



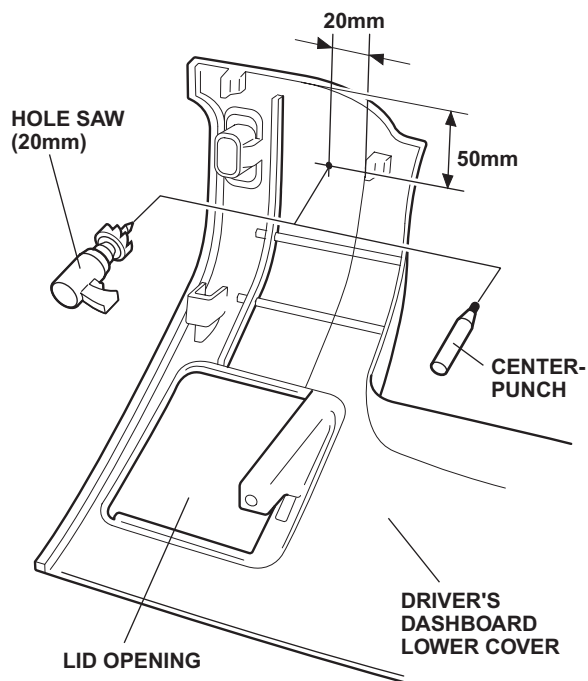
35. Plug the subwoofer harness connector into the subwoofer.



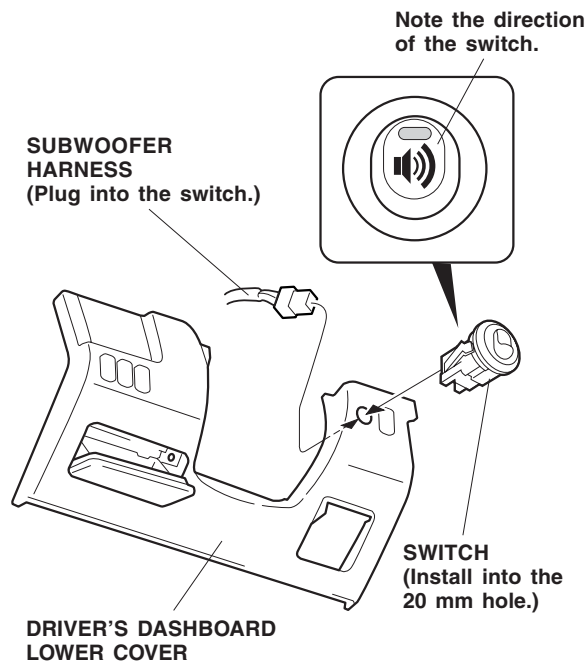
36. Reinstall the front passenger's seat. Torque the seat bolts to 34 N·m (25 lb-ft).
37. Slide the front passenger's seat back and forth to check that the subwoofer harness is not too tight or too loose.



38. Using a tape measure and a felt-tip pen, measure and mark the driver's dashboard lower cover as shown. Lightly center-punch the mark.

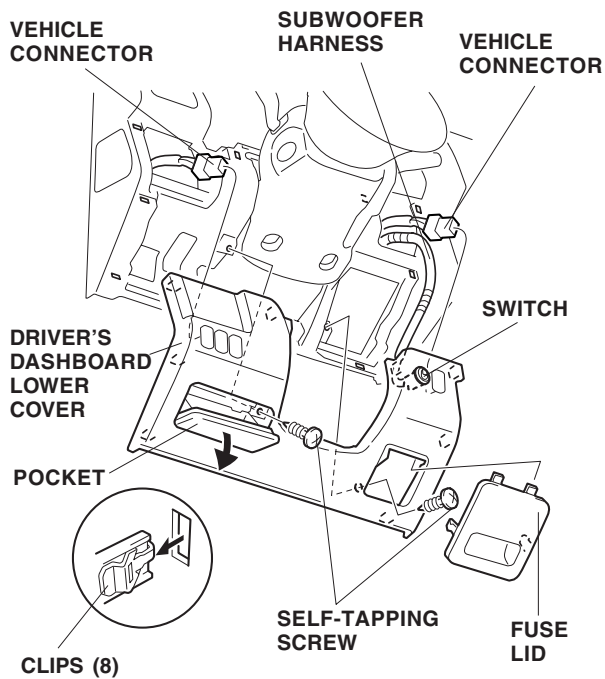


39. Drill a 20 mm hole through the center-punch mark. After drilling, remove any burrs from the edge of the hole.
40. Install the switch into the 20 mm hole. Note the direction of the switch.

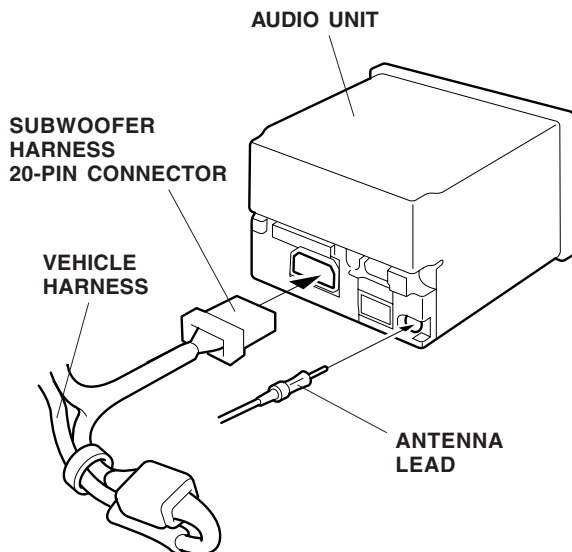


41. Plug the subwoofer harness connector into the switch.

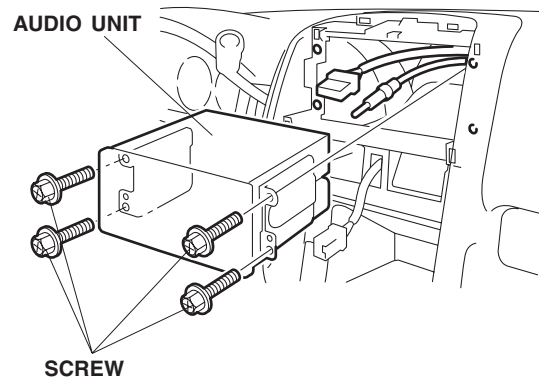
42. Reinstall the driver's dashboard lower cover.



43. At the audio unit opening, plug the 20-pin connector of the subwoofer harness and the vehicle antenna lead into the rear of the audio unit.



44. Slide the audio unit into the opening in the dashboard, and reinstall the four screws.



45. Check that all wire harnesses are routed properly and all connectors are plugged in.

46. Reinstall all removed parts.

47. Reconnect the negative cable to the battery.

48. Enter the customer's radio anti-theft code, and reset the radio station presets.

NOTE: Whenever the battery is disconnected, the driver's AUTO window function is disabled.

49. Start the engine. Push down on the driver's window switch until the window is fully open.

50. Pull up on the driver's window switch to close the window completely, then hold the switch for 2 seconds.

51. Test the AUTO window function.

52. Do the ECM/PCM idle learn procedure.

- Make sure all electrical items are turned off.

- Start the engine. Hold the engine speed at 3,000 rpm with no load (in Park or Neutral) until the radiator fan comes on.

- Let the engine idle for about 5 minutes with the throttle fully closed and with all electrical items off.

NOTE: If the radiator fan comes on during this step, the time when it is operating must not be included in the 5 minutes.