



## INSTALLATION INSTRUCTIONS

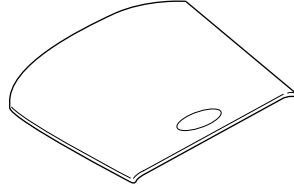
Accessory  
**CENTER CONSOLE TRIM KIT**

Application  
**CIVIC  
2- AND 4- DOOR  
(LX, EX)**

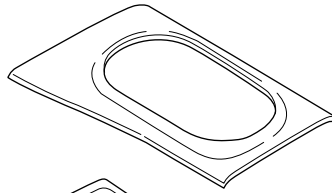
Publications No.  
**All 23116**  
Issue Date  
**OCT 2001**

### PARTS LIST

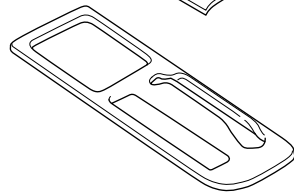
Beverage holder trim



Escutcheon trim



Center console trim



### TOOLS REQUIRED

Isopropyl alcohol  
Shop towel

### INSTALLATION

#### NOTE:

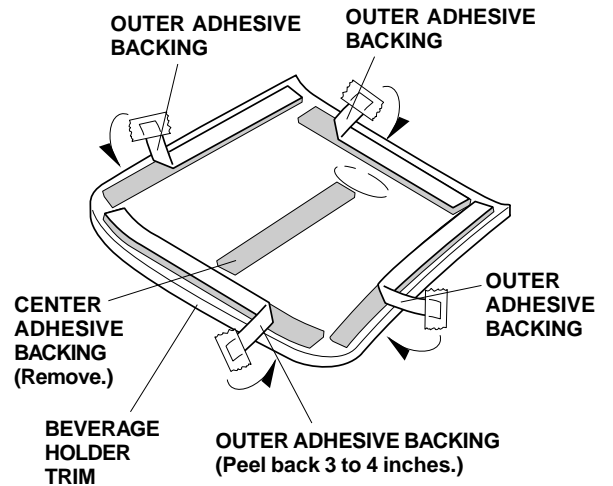
- Be careful not to scratch any interior panels.
- This center console trim kit should only be installed if the ambient air temperature is 60°F (15°C) or above.

#### Important:

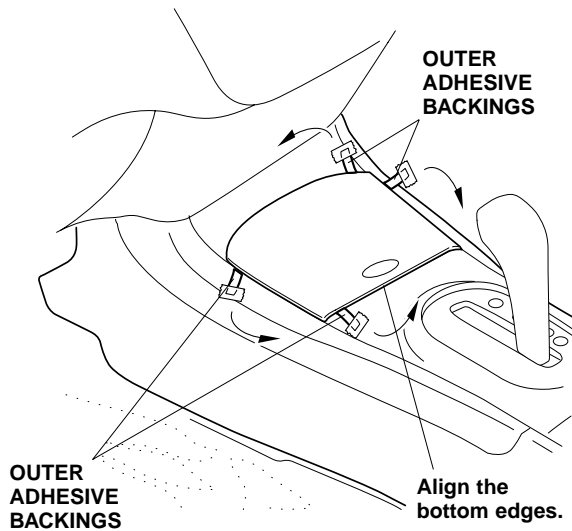
Trim parts will NOT stick to surfaces that have been treated with any type of protectant. The isopropyl alcohol only removes surface dirt and fingerprints.

### Installing the Beverage Holder Trim

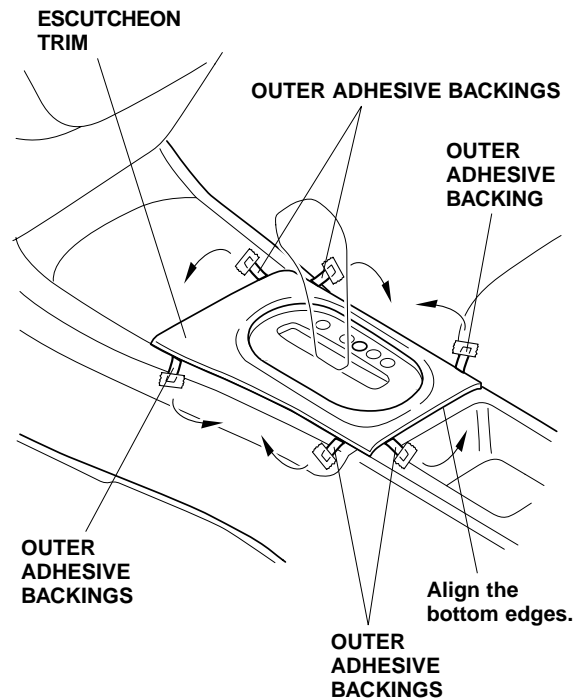
1. Using isopropyl on a shop towel, clean the area where the beverage holder trim will attach.
2. Peel back 3 to 4 inches of adhesive backing from the outer pieces and attach them to the front of the beverage holder trim with masking tape. Remove the center adhesive backing.



- Position the beverage holder trim on the beverage holder cover and align the bottom edges. While holding pressure on the beverage holder trim, carefully remove the adhesive backings. Using the palm of your hand, hold the beverage holder trim against the beverage holder cover for 30 seconds, particularly at the edges.

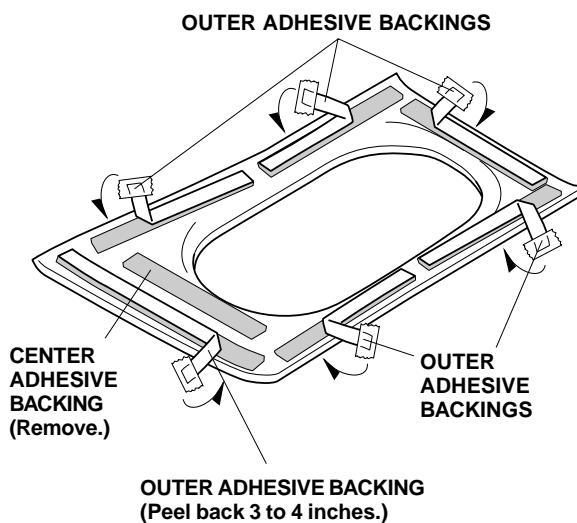


- With the parking brake applied, and the shift knob in N (Neutral) position, set the escutcheon trim on the console and align the bottom edges. While holding light pressure on the escutcheon trim, carefully remove the adhesive backings. Using the palm of your hand, hold the escutcheon trim against the escutcheon for 30 seconds, particularly at the edges.



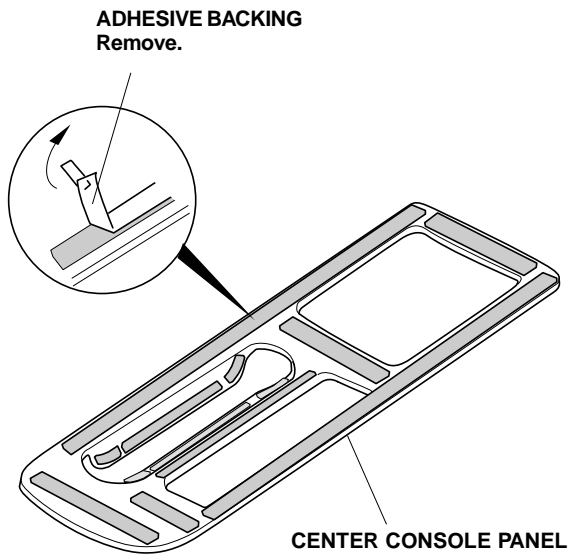
### Installing the Escutcheon Panel

- Using isopropyl alcohol on a shop towel, clean the area where the escutcheon trim will attach.
- Peel back 3 to 4 inches of adhesive backing from the outer pieces and attach them to the front of the escutcheon trim with masking tape. Remove the center adhesive backing.



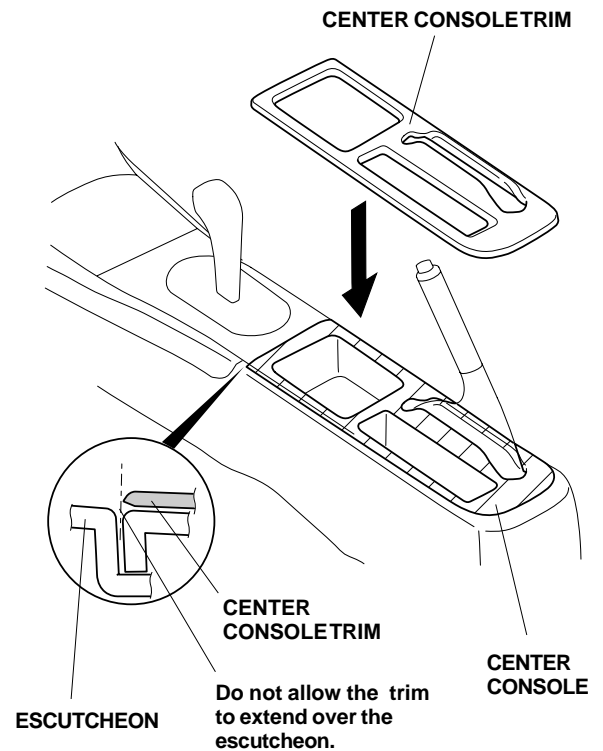
## Installing the Center Console Trim

7. Position the center console trim on the center console, and mark its location for installation. Remove the center console trim.



8. Using isopropyl alcohol on a shop towel, clean the area where the center console trim will attach.

8. Remove all of the adhesive backings from the back of the center console trim.



9. Position the center console trim on the center console at the mark you made in step 7. Using the palm of your hand, hold the escutcheon trim against the escutcheon for 30 seconds, particularly at the edges.

## USE AND CARE

- Use a soft cloth or sponge dampened with a mild detergent and water solution to clean the interior panel trim kit. Do not use polishing waxes containing compounds or degreasing agents to clean the interior panel kit.