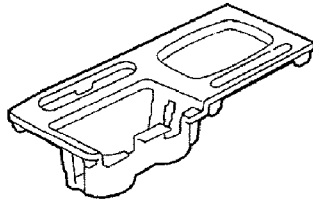


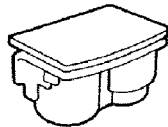
 HONDA INSTALLATION INSTRUCTIONS	Accessory	Application	Publications No.
	INTERIOR WOOD TRIM KIT P/N 08Z03-S84-100F	2000 ACCORD 4-DOOR (LX/DX)	All 20544 Issue Date JULY 1999

PARTS LIST

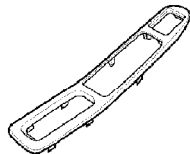
Console cover panel



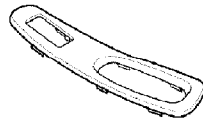
Beverage holder



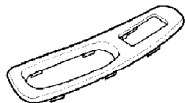
Driver's pull pocket trim panel



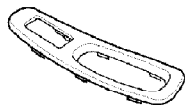
Passenger's pull pocket trim panel



Left pull pocket trim panel



Right pull pocket trim panel



Driver's master switch bezel



3 Switch bezels



6 Screws, 3 mm



6 Felt dots



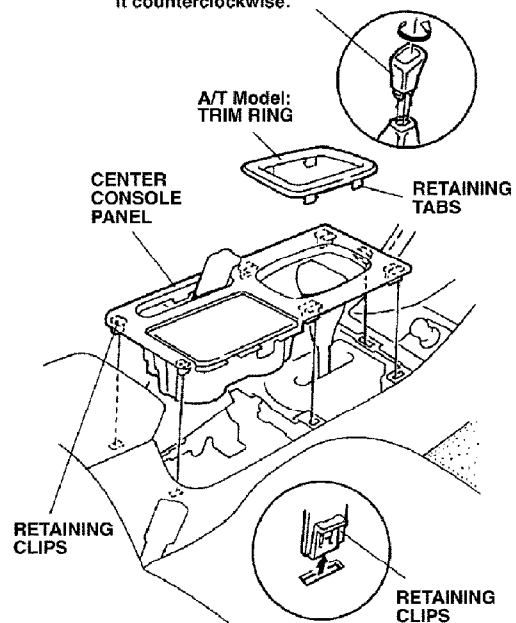
TOOLS AND SUPPLIES REQUIRED

Phillips screwdriver
 Small flat-tip screwdriver
 Shop towel

INSTALLATION

1. Write down the frequencies for the radio station presets.
2. Disconnect the negative cable from the battery.
3. On A/T model, pry up on the four retaining tabs, and remove the trim ring. On M/T model, remove the shift knob by turning it counterclockwise.

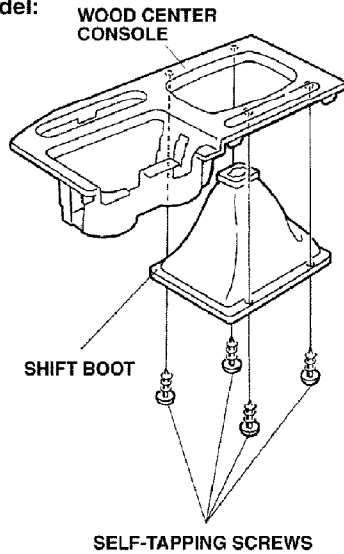
M/T Model:
SHIFT KNOB
 Slide the shift boot down, and remove the shift knob by turning it counterclockwise.



4. Remove the center console panel (seven retaining clips). Set the center console aside; it will not be reused.

5. On M/T model, transfer the shift boot to the new wood center console panel.

M/T Model:

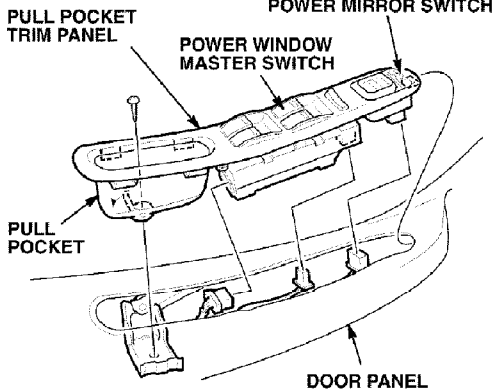


6. Install the wood center console panel, then install the new wood beverage holder.
7. On A/T model, reinstall the trim ring. On M/T model, reinstall the shift knob.

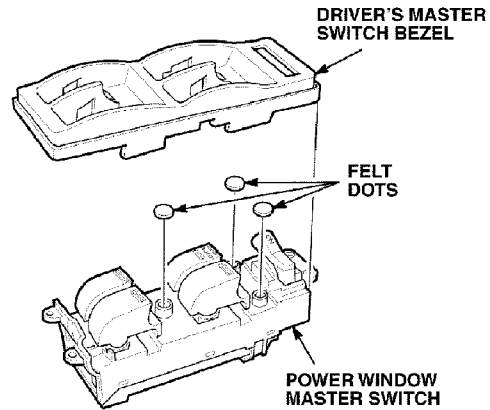
Installing the Wood Switch Panels

8. At the left front (driver's) door, remove the pull pocket trim panel:
- Inside the pull pocket, lift up on the screw cover and remove the one self-tapping screw.
 - Lift up on the pull pocket trim panel to release the clips, unplug the connectors, and remove the panel.

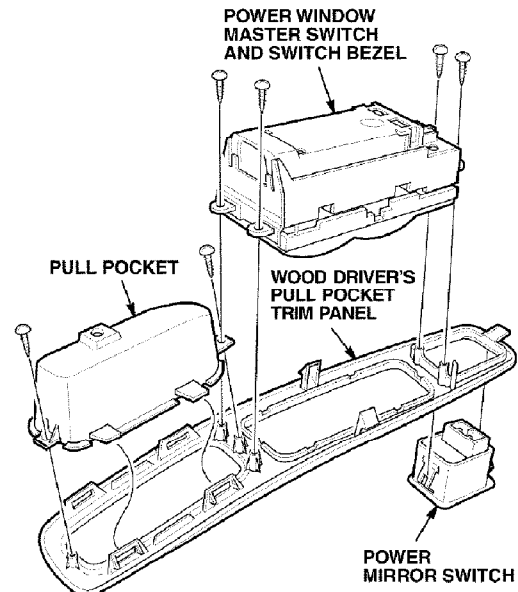
Driver's Door:



9. Remove the power window master switch, the power mirror switch, and the pull pocket from the original driver's door pull pocket trim panel. Save the screws; they will be reused.
10. Put three felt dots on the power window master switch as shown, then install the driver's master switch bezel onto the master switch.



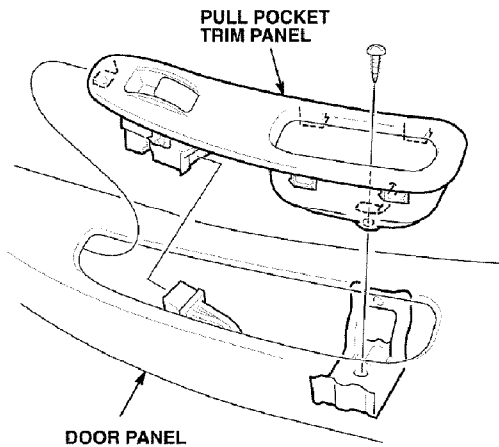
11. Install the power window master switch and switch bezel, the power mirror switch, and the pull pocket onto the wood driver's pull pocket trim panel using the screws saved in step 9.



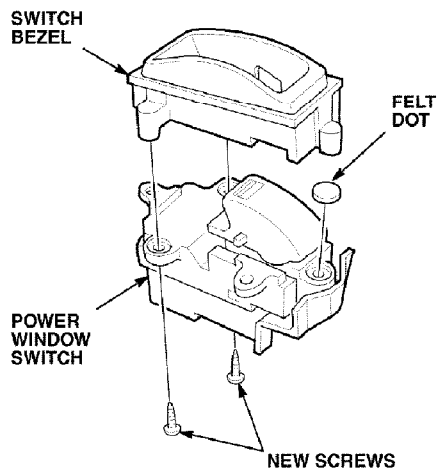
12. Install the wood driver's pull pocket trim panel onto the driver's door, and plug in the connector.

13. At the right front (passenger's) door, remove the pull pocket trim panel.
 - Inside the pull pocket, lift up on the screw cover and remove the one self-tapping screw.
 - Lift up on the pull pocket trim panel to release the clips, unplug the connector, and remove the panel.

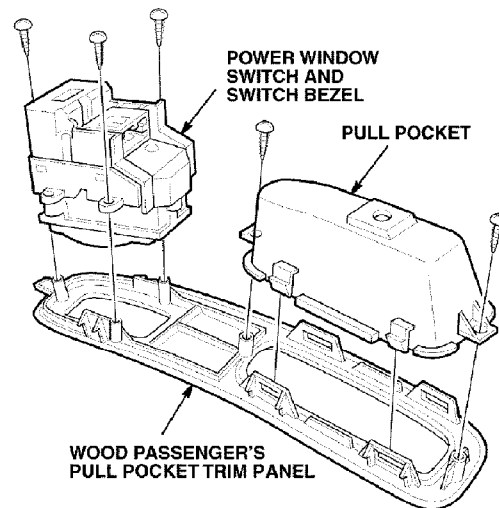
Passenger's Door:



14. Remove the power window switch and the pull pocket from the original pull pocket trim panel. Save the screws; they will be reused.
15. Put one felt dot on the power window switch as shown, then install a switch bezel onto the power window switch using two of the screws supplied in the kit.



16. Install the power window switch and switch bezel and the pull pocket onto the wood passenger's pull pocket trim panel using the screws saved in step 14.



17. Install the wood passenger's pull pocket trim panel onto the passenger's door, and plug in the connector.
18. Perform steps 13 through 17 on the two rear doors.
19. Reconnect the battery, and reset the radio station presets.
20. Reset the clock.
21. At all four doors, operate the power window switch to check window operation, opening and closing the windows.