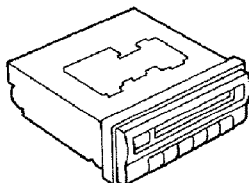
 INSTALLATION INSTRUCTIONS	Accessory	Application	Publications No.
	IN-DASH CD CHANGER	2000 ACCORD EX 2- AND 4-DOOR	All 20659
			Issue Date AUG 1999

PARTS LIST

In-Dash CD Changer (sold separately):
P/N 08A06-3B1-300

In-dash CD changer



Owner's Manual



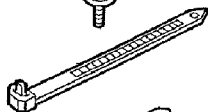
6 Washer-screws, 5 x 8 mm



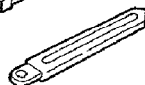
Washer-screw, 4 x 8 mm
(not used)



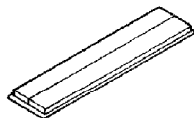
Wire tie, (not used)



Harness clip (not used)

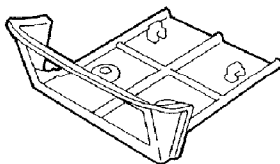


Adhesive strips (not used)

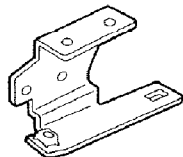


Cassette Player/In-Dash CD Changer Attachment Kit (sold separately):
P/N 08B12-S84-100

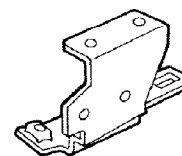
Cover



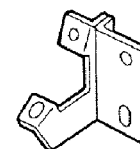
Left CD/cassette bracket



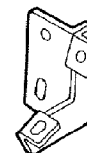
Right CD/cassette bracket



Left sub-bracket



Right sub-bracket



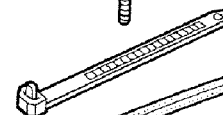
4 Clip nuts



10 Washer-screws, 5 x 10 mm



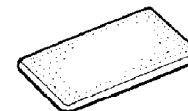
Wire tie



Cushion



2 Cushion tapes (not used)



Front tray template



Center console template



Small cushion



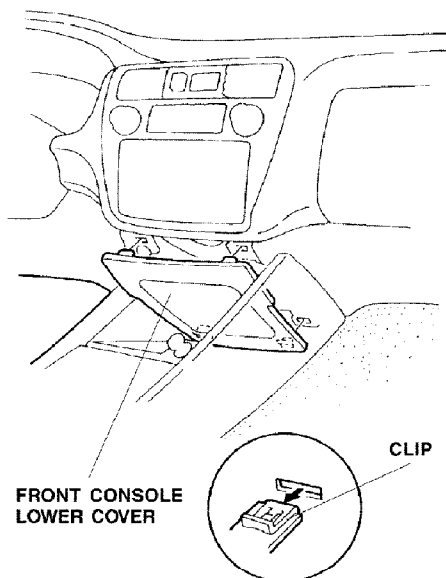
TOOLS AND SUPPLIES REQUIRED

- #2 Phillips screwdriver
- Flat-tip screwdriver
- Stubby Phillips screwdriver
- 10 mm Open-end wrench
- Hacksaw blade
- Utility knife
- Felt-tip pen
- Diagonal cutters
- Shop towel
- Masking tape
- Scissors
- Gloves

INSTALLATION

Customer Information: The information in this installation instruction is intended for use only by skilled technicians who have the proper tools, equipment, and training to correctly and safely add equipment to your car. These procedures should not be attempted by "do-it-yourselfers."

1. Make sure you have the anti-theft code for the radio, then write down the frequencies for the preset buttons.
2. Disconnect the negative cable from the battery.
3. Remove the front console lower cover (four clips and pull).



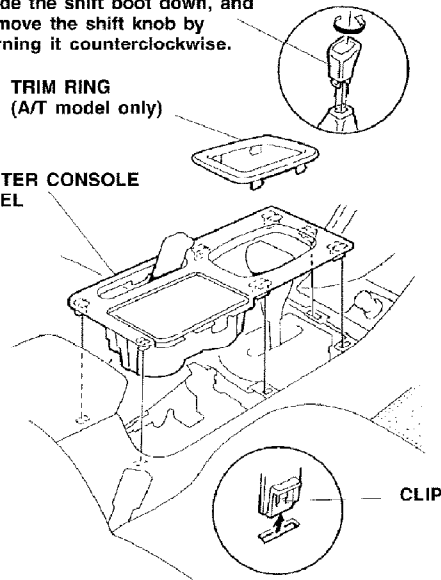
4. On A/T model, pry up on the four retaining tabs, and remove the trim ring. On M/T model, remove the shift knob by turning it counterclockwise.

M/T model SHIFT KNOB

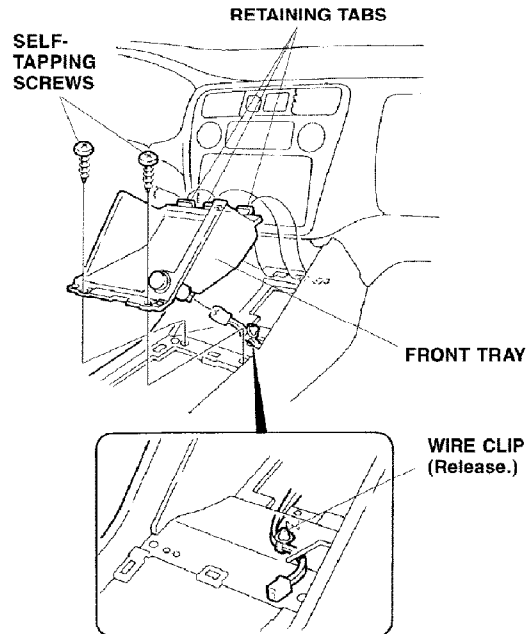
Slide the shift boot down, and remove the shift knob by turning it counterclockwise.

TRIM RING (A/T model only)

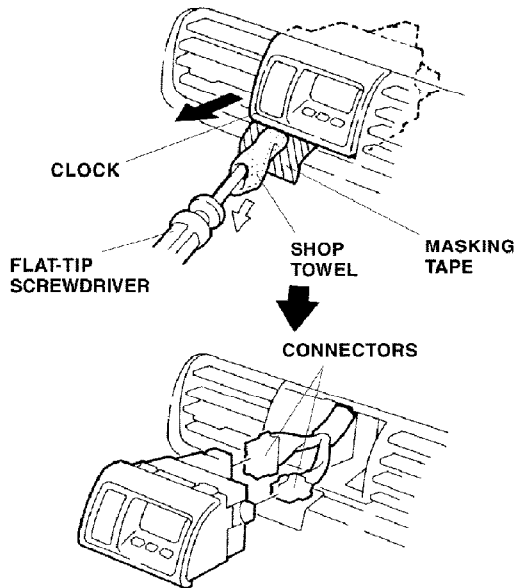
CENTER CONSOLE PANEL



5. Remove the center console panel (seven retaining clips).
6. Remove the front tray (two self-tapping screws, and release the three retaining tabs, unplug the connector, and release the wire clip).

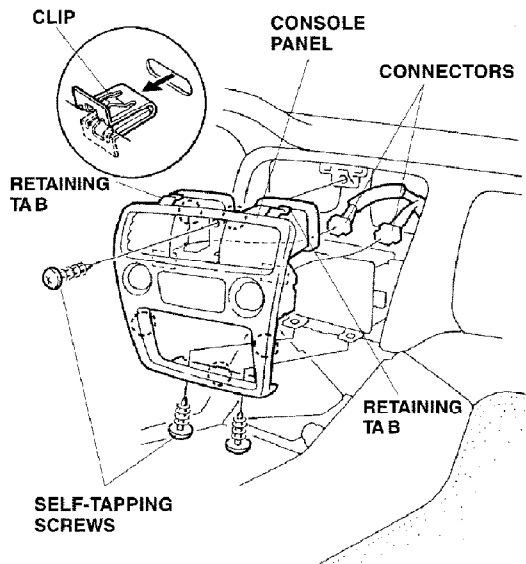


7. Attach a piece of masking tape onto the console panel below the clock.

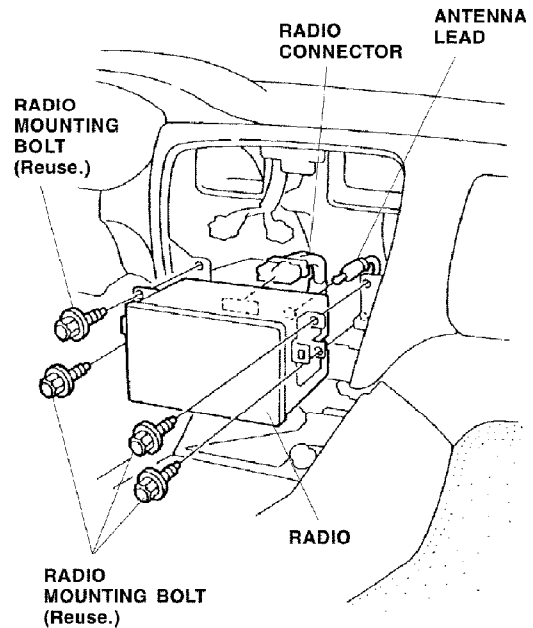


8. Using a flat-tip screwdriver wrapped with a shop towel, gently pry up on the clock to release the clips; then remove the clock by disconnecting the connectors.

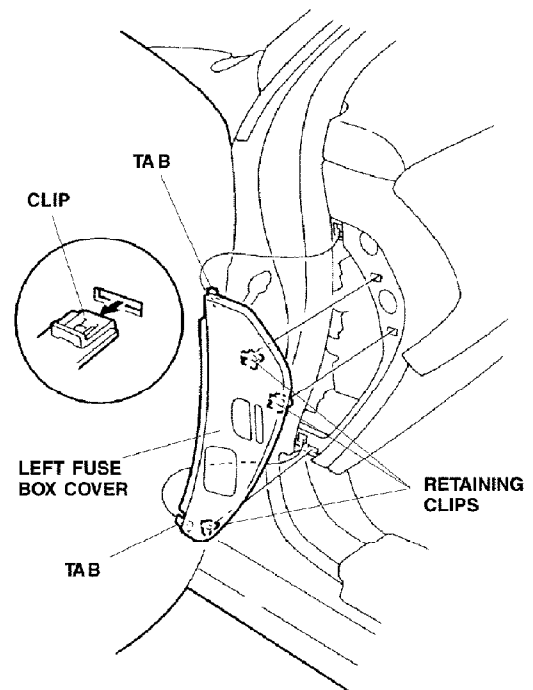
9. Remove the console panel (three self-tapping screws, five retaining clips, two retaining tabs, and two connectors).



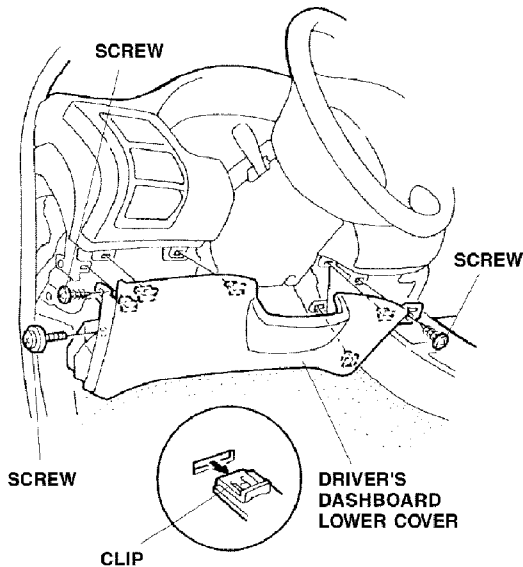
10. Remove the radio (four radio mounting bolts, and unplug the radio connector and the antenna lead).



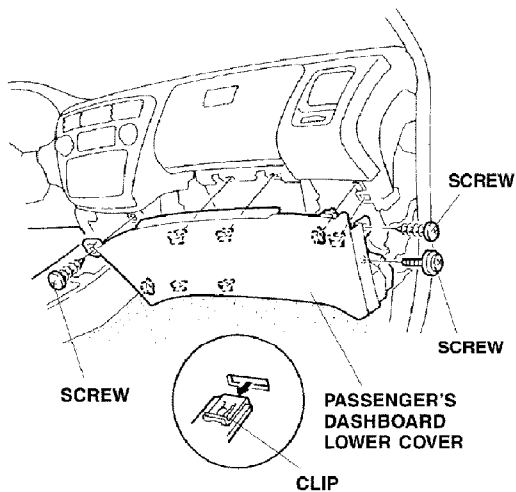
11. Remove the left fuse box cover and the right fuse box cover (three retaining clips and two tabs at each side).



12. Remove the driver's dashboard lower cover (three screws and five retaining clips). Take care not to damage the clips.

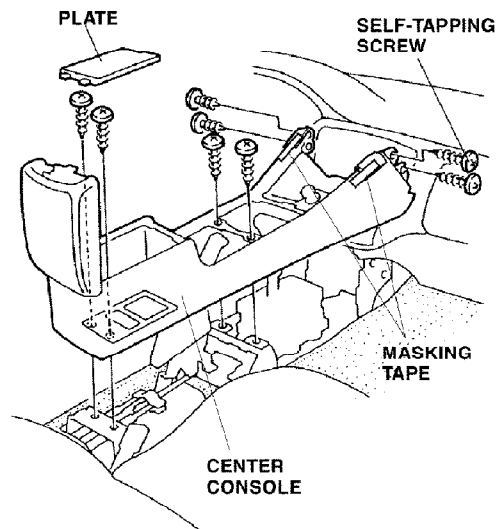


13. Remove the passenger's dashboard lower cover (three screws and six retaining clips). Take care not to damage the clips.



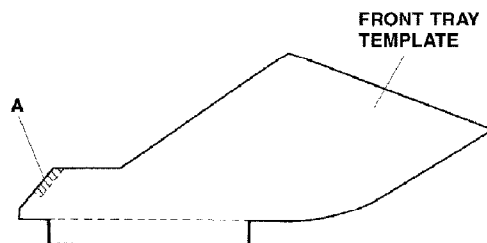
14. Remove the center console:

- Apply masking tape to the front edges of the center console.
- Open the armrest, and remove the plate. (If the vehicle is equipped with a console mount CD changer, remove it as described in the Console Mount CD Changer Installation Instructions.)
- Remove the eight self-tapping screws.
- Apply the parking brake, and move the shift lever to "N"; then lift up the center console.

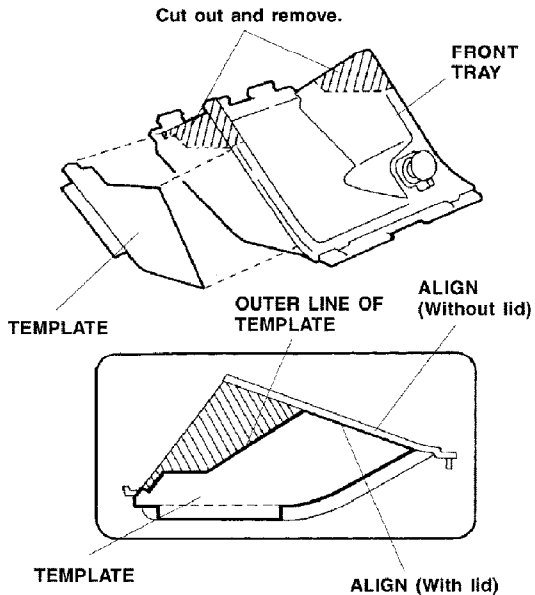


Cutting the Front Tray and the Center Console

15. Get the front tray template from the kit. Using scissors, cut out the area marked A from the template.

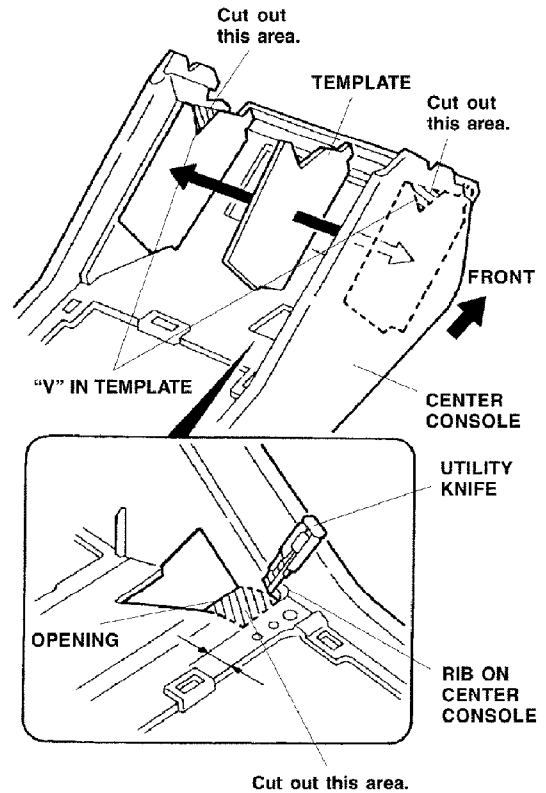


16. Position the template on the outside edge of the front tray, and mark the tray in the area shown using a felt-tip pen. Position the template on the other side, and mark it the same way.



17. Using a utility knife or a hacksaw blade, cut out the marked areas of the front tray.

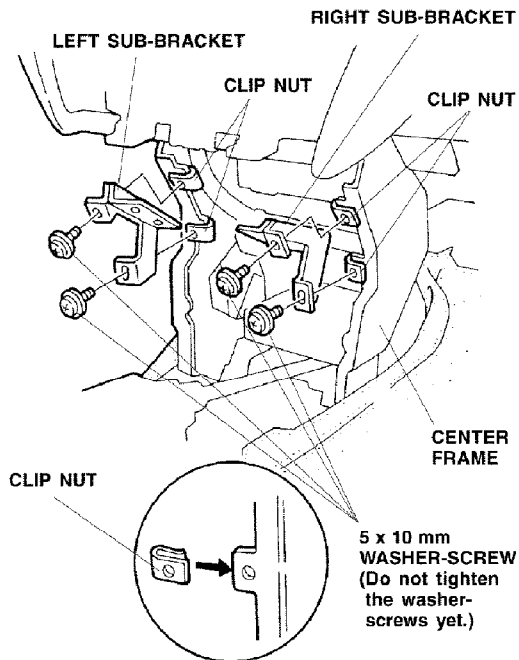
18. Get the center console template from the kit. Position the template on the inside of the center console as shown. Using a felt-tip pen, mark the center console at the "V" in the template. Position the template on the other side of the console, and mark it the same way.



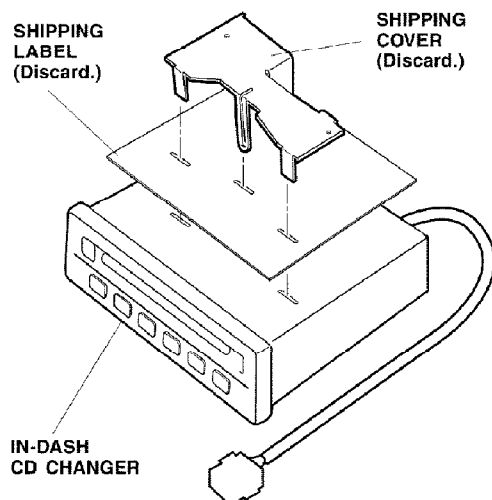
19. Using a utility knife or a hacksaw blade, cut out the marked areas at the "V" in the center console on both sides.
20. On the inside of the center console, locate the rib near the opening. Using a utility knife, enlarge the opening by cutting out the area shown.

Installing the Brackets

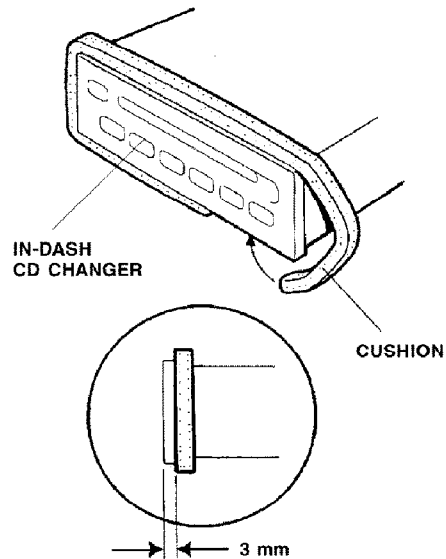
21. Install one clip nut over each of the four tabs protruding from the center frame.



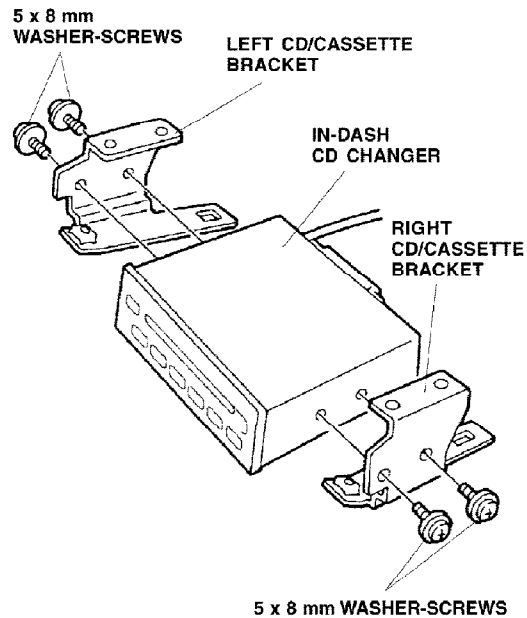
22. Using four 5 x 10 mm washer screws, attach the right and left sub-brackets to the center frame. Temporarily tighten the washer-screws.
23. Unpack the in-dash CD changer. While wearing gloves, lift up and remove the shipping cover and label. Discard the shipping cover and label.



24. Remove the adhesive backing from the cushion, and install it around the edge of the face panel of the cassette player. Cut off any excess length from the cushion.

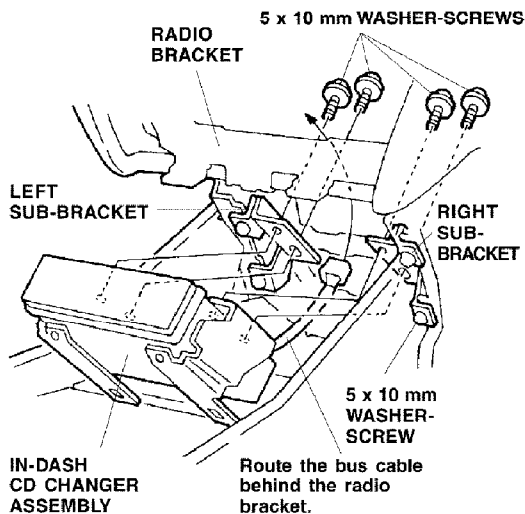


25. Attach the left and right CD/cassette brackets to the in-dash CD changer with four of the 5 x 8 mm washer-screws provided with the in-dash CD changer.

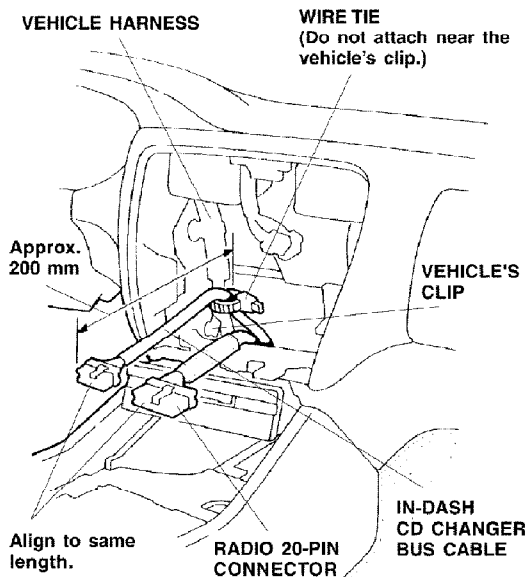


26. Reinstall the center console.
27. Reinstall the driver's and passenger's dashboard lower cover.

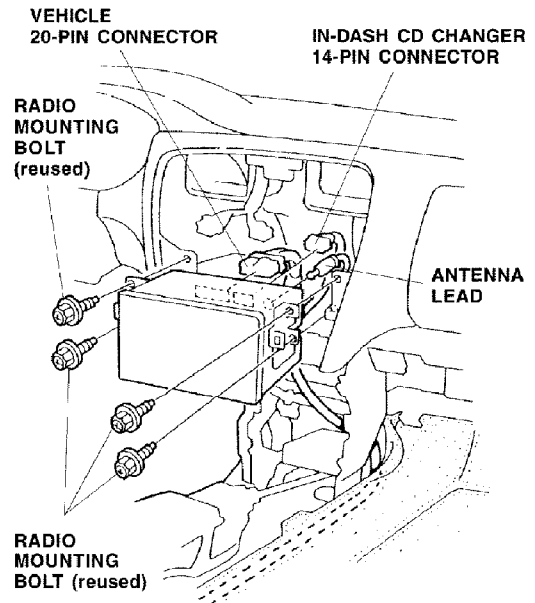
28. Install the cassette player assembly onto the sub-brackets with four 5 x 10 mm washer-screws. Tighten the four 5 x 10 mm washer-screws. Route the bus cable up toward the radio opening. Tighten the four 5 x 10 mm washer-screws you installed in step 22.



29. Route the in-dash CD changer bus cable out through the radio opening about 200 mm. Secure the in-dash CD changer bus cable to the vehicle harness with one wire tie. Cut the excess off the wire tie.

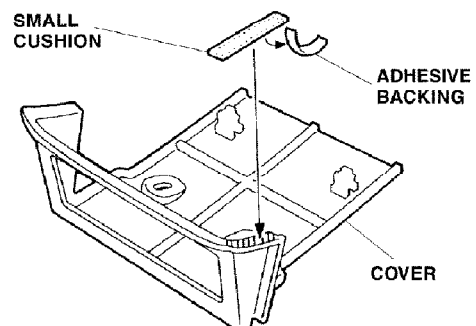


30. Reinstall the radio. Plug in the connectors and the antenna lead.

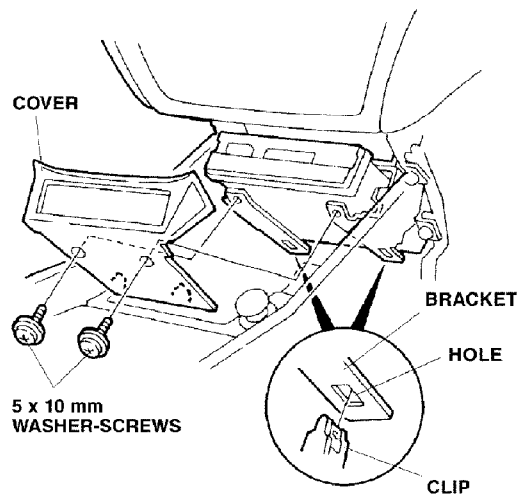


31. Reinstall the front tray.
32. Temporarily install the cover onto the CD/cassette bracket by inserting the clips on the cover into the holes in the bracket.

- Check that the clips are securely inserted into the holes in the bracket.
- If you notice clearance between the right side (passenger's side) of the cover and the instrument panel, remove the cover, then remove the adhesive backing from the small cushion, and attach the small cushion to the cover. Reinstall the cover.



33. Install two 5 x 10 mm washer-screws, and tighten them to secure the cover to the brackets.



34. Check that all wire harnesses are routed properly and all connectors are plugged in.
35. Reinstall all removed parts.
36. Connect the negative cable to the battery.
37. Enter the customer's radio anti-theft code, and reset the radio station presets.
38. Reset the clock.
39. Check that the radio and in-dash CD changer work properly as described in the respective owner's manuals.