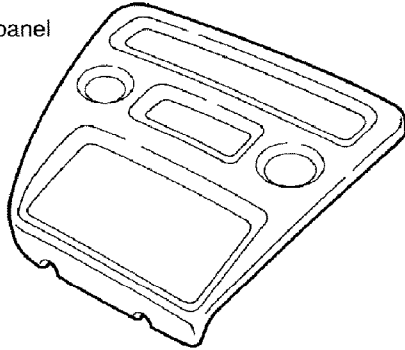


H HONDA INSTALLATION INSTRUCTIONS	Accessory	Application	Publications No.
	WOOD TRIM AUDIO PANEL P/N 08Z03-S84-100	2000 ACCORD 2- AND 4-DOOR	All 20521 Issue Date JULY 1999

PARTS LIST

Wood center panel



SUPPLIES REQUIRED

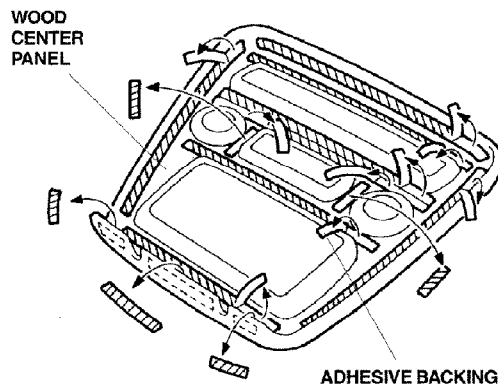
Contact cleaner
Shop towel

INSTALLATION

NOTE:

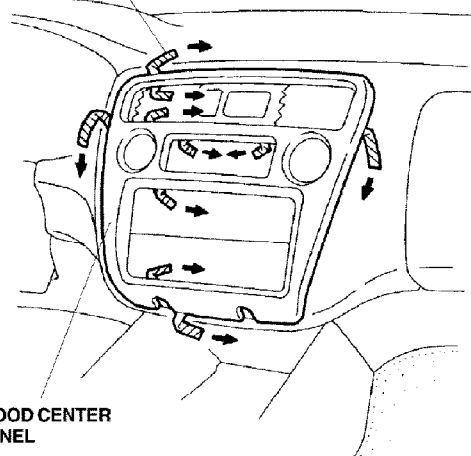
- Be extremely careful not to damage the instrument panel or any other finished surfaces of the body.
- This wood center panel should be installed only when the ambient air temperature is 60°F (15°C) or above.

1. Using contact cleaner on a shop towel, thoroughly clean the mating surfaces of the existing center panel.
2. Peel one inch of the adhesive backing from each piece of adhesive tape, and fold it back.



3. Attach the wood center panel to the vehicle center panel:
 - Position the wood center panel on the vehicle center panel. While holding light pressure against the wood center panel, slowly and carefully remove each piece of adhesive backing.

ADHESIVE BACKING



WOOD CENTER PANEL

- Using the palm of your hand, firmly push the wood center panel against the vehicle center panel in several places.