



ACURA INSTALLATION INSTRUCTIONS

Accessory
REAR LOWER TRIM

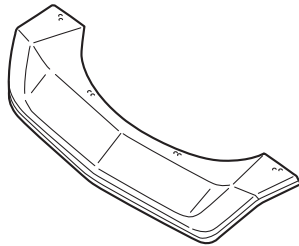
Application
MDX

Publications No.
BII 33257
Issue Date
OCT 2006

NOTE: The rear lower trim cannot be installed on a vehicle equipped with a trailer hitch.

PARTS LIST

Rear lower trim



4 Bolts



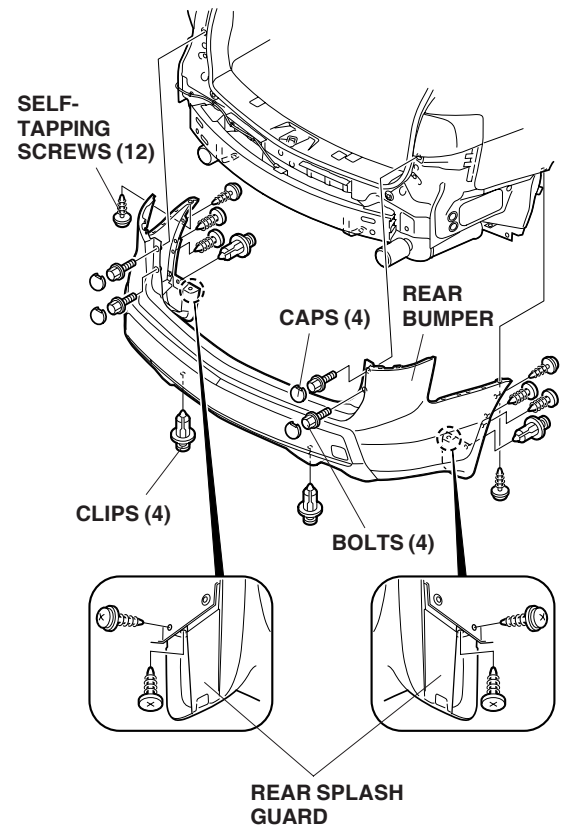
TOOLS AND SUPPLIES REQUIRED

Phillips screwdriver
Flat-tip screwdriver
Drill
3 mm and 10 mm Drill bits
Pushpin
Eye protection (safety goggles, face shield, etc.)
10 mm Combination wrench
Ratchet
10 mm Socket
Blanket
File

INSTALLATION

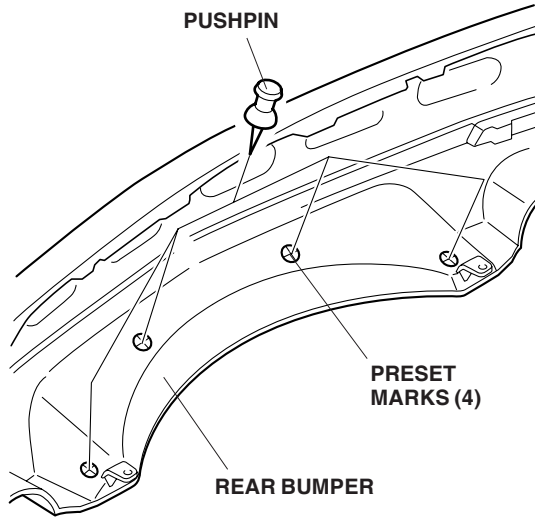
Customer Information: The information in this installation instruction is intended for use only by skilled technicians who have the proper tools, equipment, and training to correctly and safely add equipment to your vehicle. These procedures should not be attempted by “do-it-yourselfers.”

1. Open the tailgate with the help of an assistant, remove the rear bumper (4 bolt covers, 4 bolts, 4 clips, and 12 self-tapping screws). Set the bumper on a blanket.

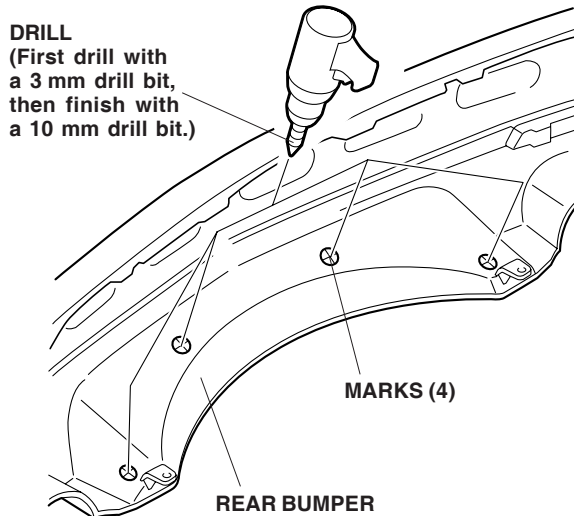


2. On the inside of the rear bumper, locate the four preset marks. Using a push pin, pierce a hole through each mark.

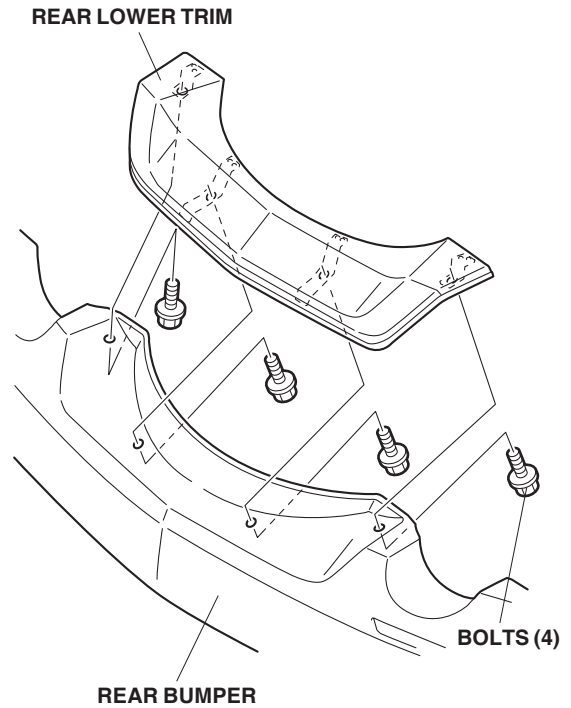
NOTE: There are 3 additional marks that are not used for the rear lower trim. Be sure to locate the correct marks.



3. While wearing eye protection, drill a hole through each marked location. First drill with a 3 mm drill bit, and finish with a 10 mm drill bit. Remove any burrs from the edges of the holes with a file.



4. Position the rear lower trim over the rear bumper, and secure it with four bolts from inside the rear bumper.



5. Reinstall the rear bumper.