



INSTALLATION INSTRUCTIONS

| |
|----------------------|
| Accessory |
| AIR DEFLECTOR |

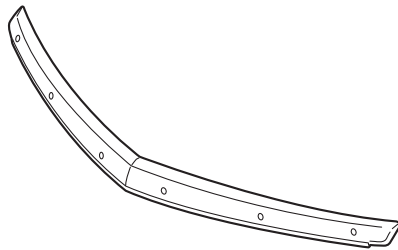
| |
|-------------|
| Application |
| MDX |

| |
|------------------|
| Publications No. |
| BII 32731 |
| Issue Date |
| NOV 2006 |

Put this instructions in the glove box with the vehicle owner's manual.

PARTS LIST

Air deflector



Center support



4 Brackets A



2 Brackets B



4 Grommet nuts



4 Truss screws



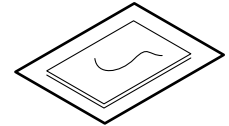
2 Screws (6 x 1.0 mm)



2 Collars



3 Alcohol pads



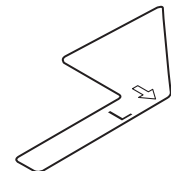
4 Clips



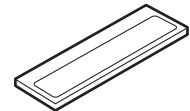
4 Protection tapes



Template



Hood label



TOOLS AND SUPPLIES REQUIRED

#2 Phillips screwdriver

Tape measure

Felt-tip pen

Shop towel

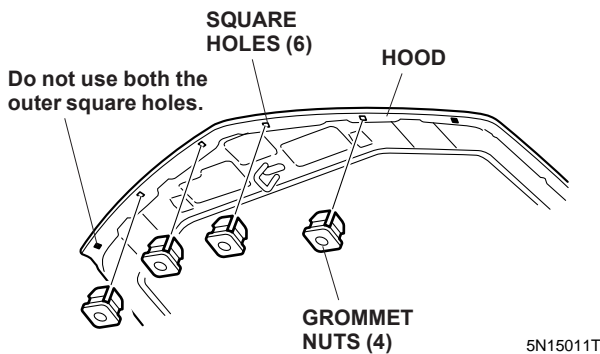
Masking tape

INSTALLATION

Customer Information: The information in this installation instruction is intended for use only by skilled technicians who have the proper tools, equipment, and training to correctly and safely add equipment to your vehicle. These procedures should not be attempted by “do-it-yourselfers.”

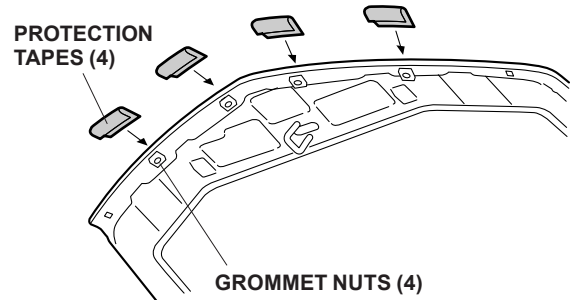
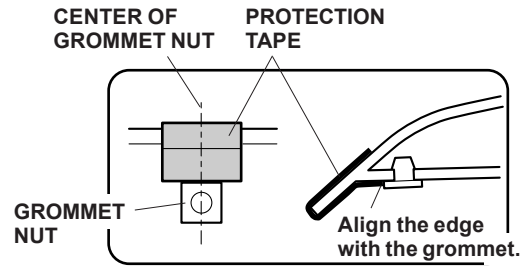
NOTE:

- Be careful not to damage the body paint finish when you install the air deflector.
 - This air deflector should be installed only when the ambient air temperature is 60°F (15°C) or above.
1. Open the hood. On the under side of the hood, locate the six square holes and insert four grommet nuts into each of the four square holes.



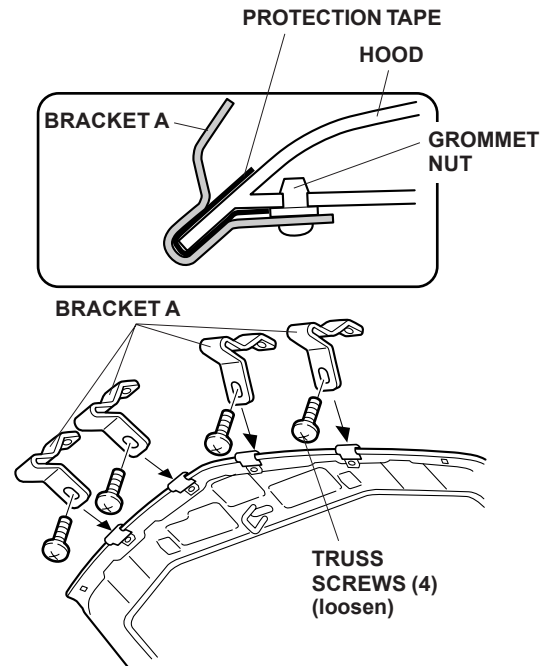
5N15011T

2. Using an alcohol pad, clean the areas where the protection tapes will be attached.



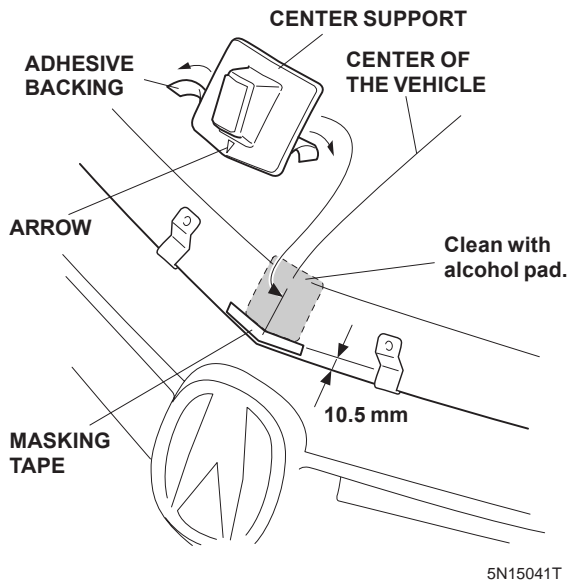
5N15021T

3. Remove the adhesive backing from the protection tape, and attach four protection tapes around the front of the hood as shown.
4. Position the brackets A over the hood around the protection tapes, and loosely tighten the four truss screws.



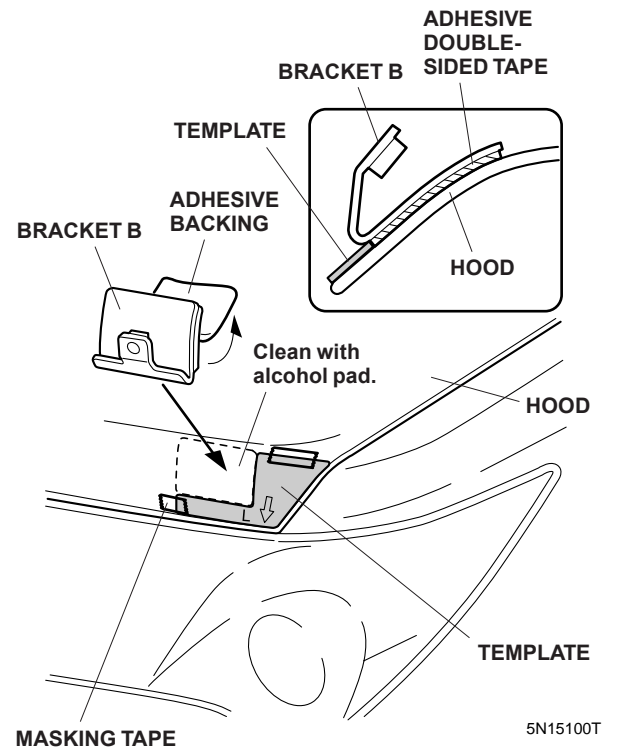
5N15031T

- Close the hood, and measure and mark the center of the hood as shown. Attach the masking tape as shown. Using an alcohol pad, clean the area where the center support will attach.



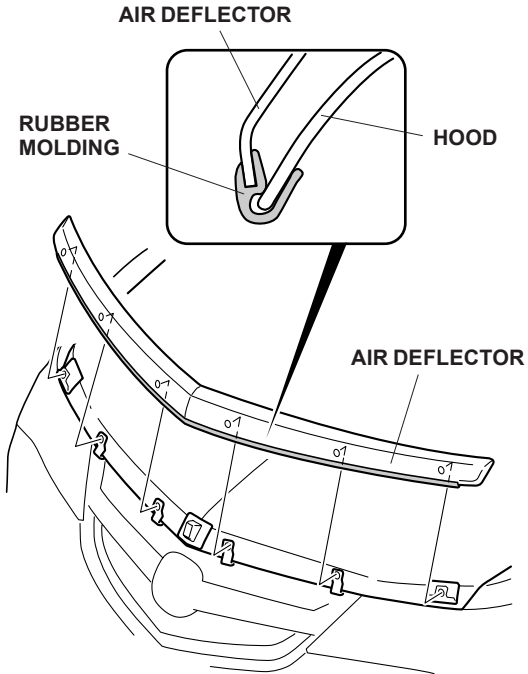
- Remove the adhesive backing from the center support and attach it to the hood at the mark you made. The arrow on the center support should point to the front of the vehicle. Remove the masking tape.

- Clean the area where the bracket B will attach with alcohol pad from the kit.



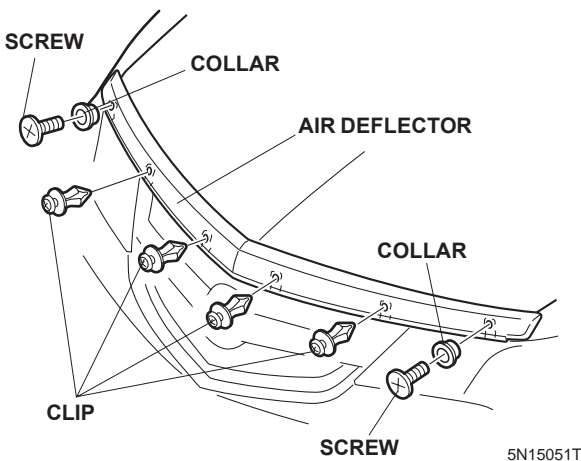
- Position the template on the hood and secure it with pieces of masking tapes.
- Remove the adhesive backing from the bracket B. Attach the bracket B on the hood align it with the template as shown.
- Reverse the template, align it with the other side of the hood, and attach the bracket B.

11. Position the air deflector on the hood, and cover the rubber molding above the brackets on the front edge of the hood by pressing the front edge of the rubber molding with the front edge of the brackets.



5N15081T

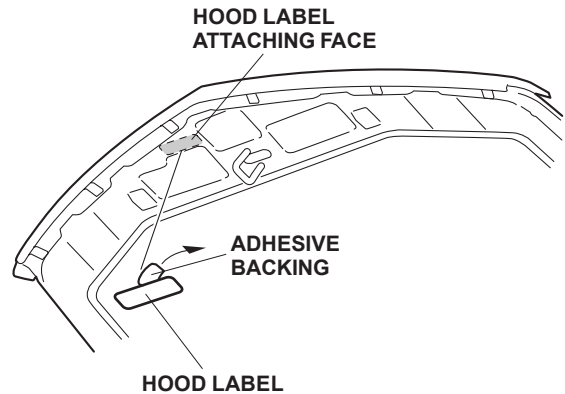
12. Aligning the holes in the air deflector over the six brackets. Install the two screws (6 x 1.0 mm), two collars and four clips, and then tighten the screws securely.



5N15051T

13. Tighten the four truss screws you installed in step 4.

14. Using an alcohol pad, clean the areas where the hood label will be attached.



5N15090T

15. Remove the adhesive backing from the hood label and attach it to the hood in the area shown.
 - After attaching the label, hold it firmly against the hood with your palm, particularly at the edges.

NOTE: After the air deflector is installed, tell your customer not to wash the vehicle for 24 hours to give the adhesive time to cure.