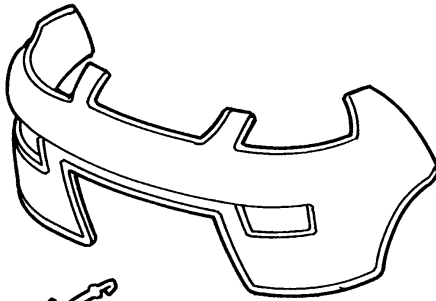


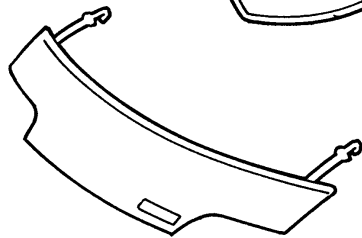
| | | | |
|------------------------------------|---|-------------|--------------------------------------|
| <h1>INSTALLATION INSTRUCTIONS</h1> | Accessory | Application | Publications No. BII 23287 |
| | FULL NOSE MASK P/N 08P35-S3V-200 | MDX | Issue Date NOV 2001 |

PARTS LIST <http://www.HandA-Accessories.com>

Mask
(bumper section)



Mask
(hood section)



4 Snap-screws



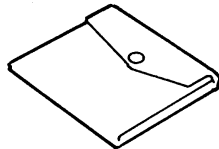
4 Washers



4 Fenderwell nuts



Storage bag



TOOLS REQUIRED

Stubby #2 Phillips screwdriver

Clip remover

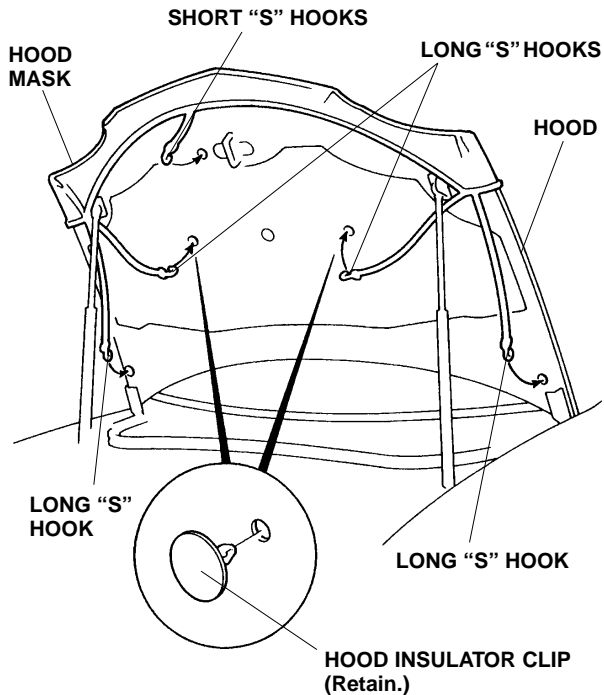
INSTALLATION

NOTE:

- Make sure the vehicle and the nose mask are clean and completely dry before installation. If moisture under the mask is allowed to dry, it may cloud the paint. If the mask gets wet, remove it and allow it to air-dry completely.
- Make sure any repainted surfaces are cured.
- Make sure the hood and nose of the vehicle have been waxed with a high-quality paste wax.
- Make sure to install the nose mask securely. If the nose mask starts to flap or comes loose while driving, safely pull off the highway, stop the vehicle, and secure or remove the mask.
- The nose mask cannot be installed if the vehicle is equipped with fender flares or an air deflector.

Installing the Hood Section

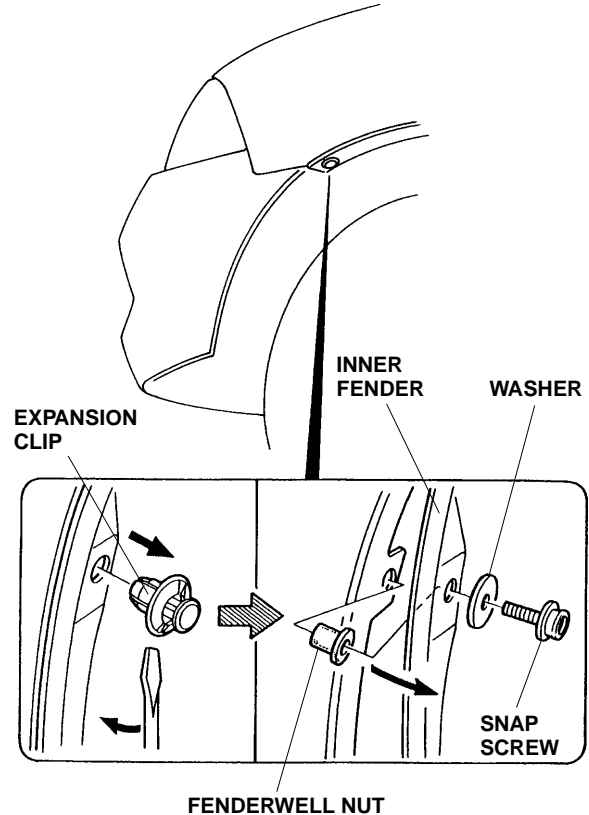
1. Open the hood, and remove the two hood insulator clips. (Do not discard the insulator clips; they can be reinstalled if the mask is removed.)



2. Fit the corners of the mask around the hood, and adjust it so it fits smoothly over the edges. Attach the four long "S" hooks and the one short "S" hook to the holes in hood.

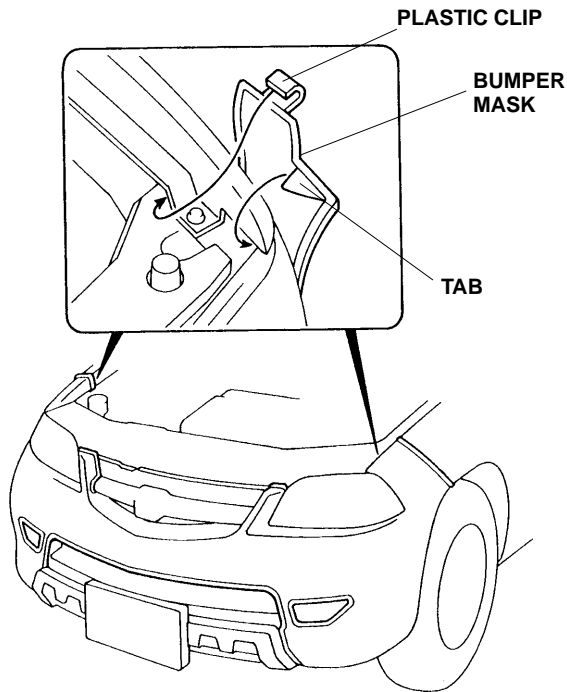
Installing the Bumper Section

3. Turn the steering wheel all the way clockwise.
4. Pry out the plastic pin, and remove the expansion clip that fastens the inner fender; remove and retain the clip, then clean the area around the hole.

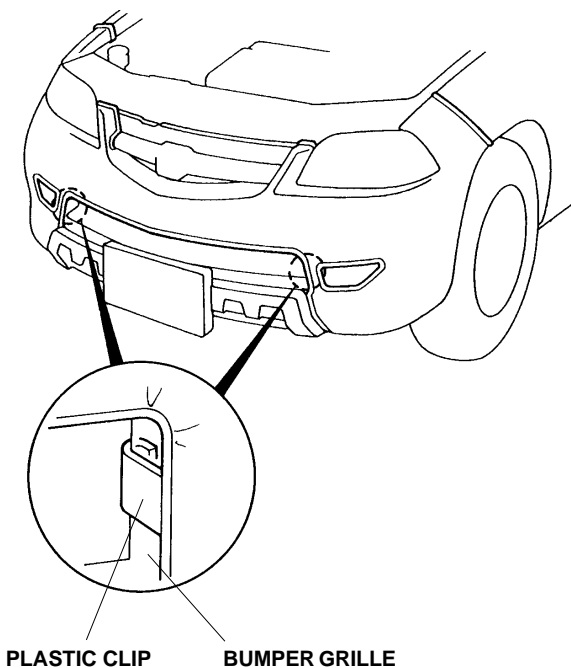


5. Pull the inner fender away, and press one fenderwell nut (supplied) into the hole in the fender flange.
6. With its washer in place, securely tighten one snap-screw into the fenderwell nut.
7. Turn the steering wheel all the way counter-clockwise, and repeat steps 4 through 6 on the other side of the vehicle.

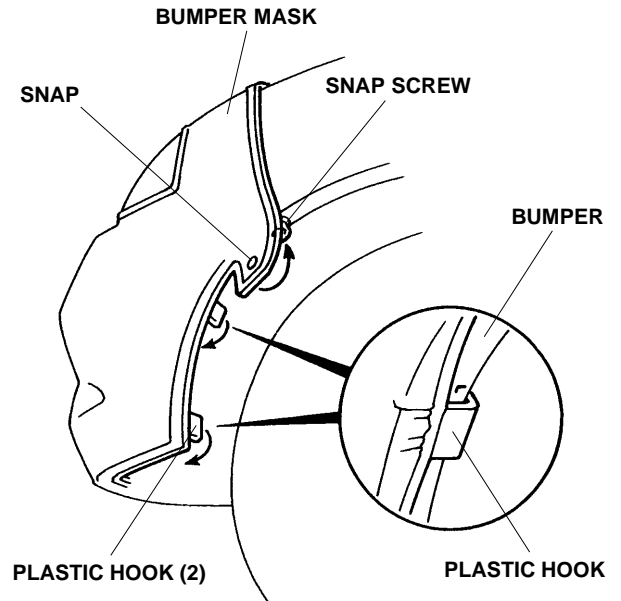
- Attach the tab of the mask's fender section onto the front corner of the fender, then attach the plastic clip to the top inside edge of the fender. Fit the mask across the bumper.



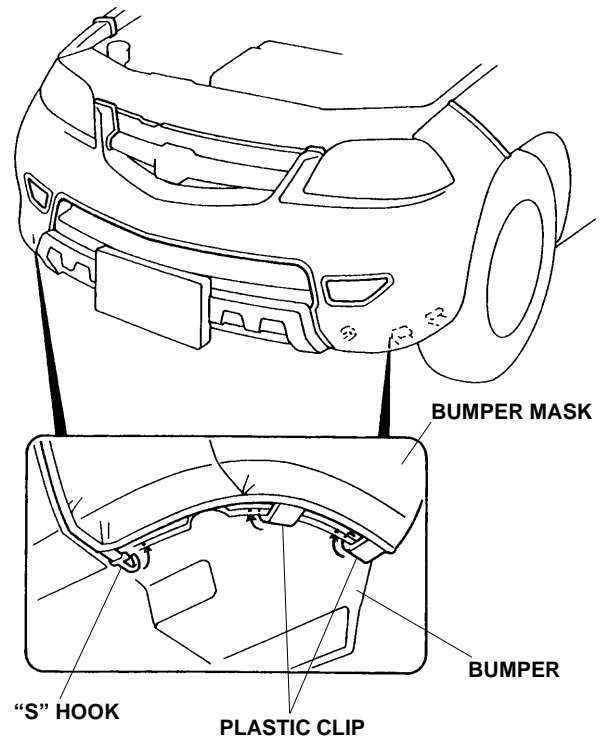
- Attach the two plastic clips of the bumper mask to the side edge of the front bumper grille opening.



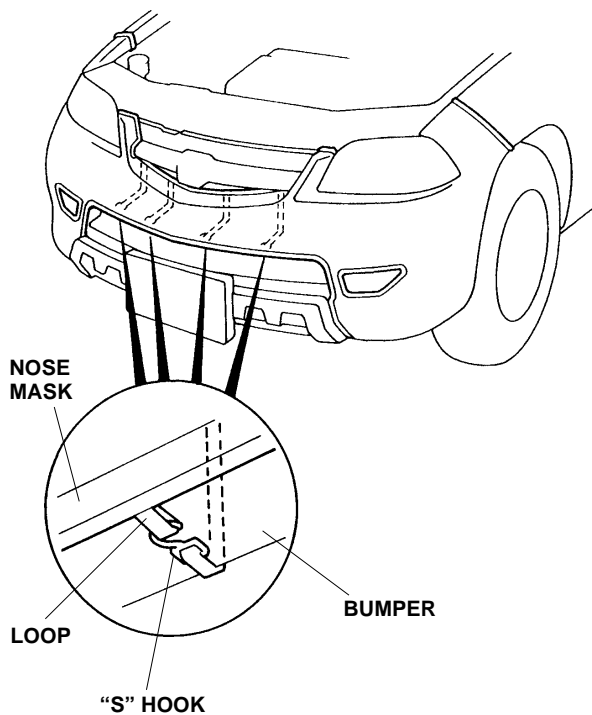
- Pull the mask back toward the wheelwell, smooth out any wrinkles, and then snap the mask onto the snap-screw. Repeat on the other side.
- On both sides of the vehicle, attach the two plastic hooks to the fenderwell.



- Attach the four plastic clips and the two "S" hooks to the bottom corners of the bumper.

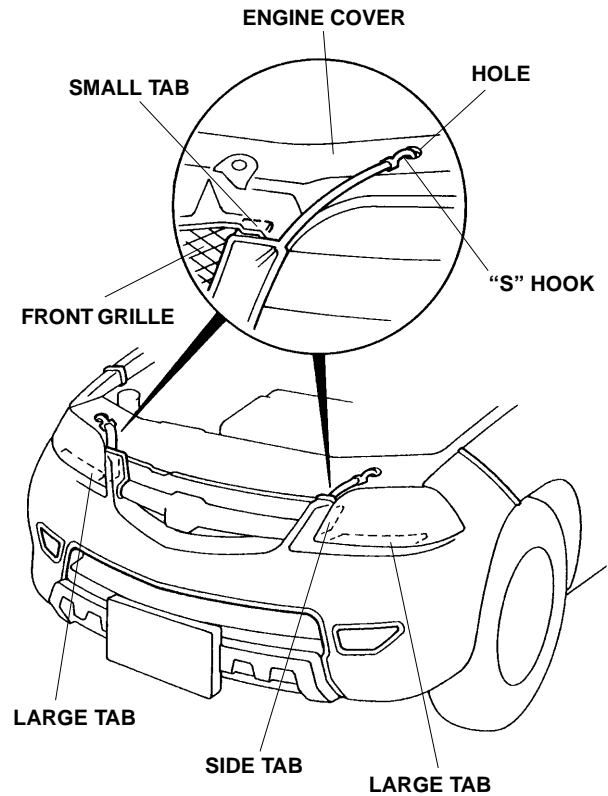


13. Insert the four "S" hooks through the holes of the front grille. Route the "S" hooks down behind the bumper and out of the lower bumper opening.



14. Attach the "S" hooks to the loops of the nose mask.

15. On each side of the vehicle, insert the large tab between the headlight and the bumper, and insert the side tab between the headlight and the grille.



16. Insert the small tab between the front grille and the engine cover, and attach the "S" hook to the hole in the engine cover.
17. Put these instructions along with the insulator clips, plastic pins and expansion clips (removed in steps 1 and 4) into the storage bag, and place it in the trunk for future use.

CLEANING THE NOSE MASK

Use a sponge or cloth and a solution of mild liquid dishwashing soap and water to clean the vinyl and the flannel backing. Rinse the mask completely with clean water, and hang it to dry, out of direct sunlight. Make sure the mask is completely dry before you reinstall it.